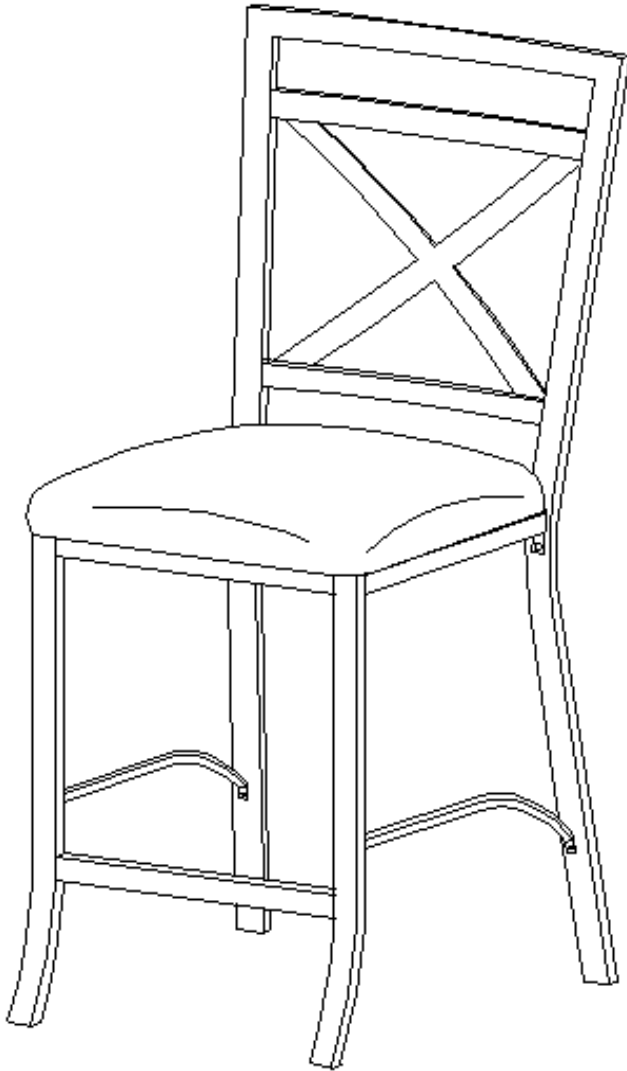


DOREL ASIA

Counter Height Dining Chair

Model No:

WM3669C



UPC CODE:

0-65857-16677-4

NOTE:

THIS INSTRUCTION BOOKLET
CONTAINS **IMPORTANT** SAFETY
INFORMATION. PLEASE READ AND
KEEP FOR FUTURE REFERENCE.

Lot number:
(TAKEN FROM CARTON)

Date of purchase:

____ / ____ / ____

DO NOT RETURN PRODUCT TO THE STORE.

If a part is missing or damaged, contact our customer service department. We will replace the part **FREE** of charge.



Tel #: 1-800-295-1980

E-Mail: das@dorel.com

Fax #: 514-353-7819

CUSTOMER SERVICE

If you are missing parts or have any questions about this product, contact our customer service representative first!



CALL 1-800-295-1980

You can also order parts by writing to the address listed below. Please include the product model number, color and a detailed description of the part.

**Customer Service Department No. 413
12345 Albert-Hudon Boulevard, Suite 100
Montreal, Quebec
Canada H1G 3L1
E-MAIL: das@dorel.com**

NOTES:

- * Ensure all parts and components are present before beginning assembly.
- * Assemble on a soft, smooth surface to prevent damage to product finish.
- * Assembly and handling may require two people.
- * Estimated assembly time is 5 - 8 minutes.
- * **DO NOT** use power tools.
- * **CAUTION:** Adult assembly required.
- * Phillips head screw driver is not included.

CARE AND CLEANING

Dust this item regularly with a soft, lint-free cloth to prevent soil build up. Wipe away spills immediately to prevent staining using a clean cloth dampened with water. Do not use liquid or abrasive cleaners on the metal frame as this may damage the finish.

Use a cloth dampened with water or a professional product to clean the fabric. Always test an inconspicuous area first. Allow upholstery to dry and brush lightly. Keep away from heat to avoid glazing, melting or scorching.

MAINTENANCE

Check bolts/screws periodically and tighten them if necessary.

LIMITED WARRANTY

Dorel Asia warrants its product to be free from defects in material and workmanship and agrees to remedy any such defect. This warranty covers 1 year from the date of original purchase. This warranty is valid only upon presentation of proof of purchase. This is solely limited to the repair or replacement of defective furniture components and no assembly labor is included. This warranty does not apply to any product which has been improperly assembled, subjected to misuse or abuse or which has been altered or repaired in any way. Any wearing, tearing or fading of the fabric is not covered under the warranty. This warranty gives you specific legal rights and you may also have other rights which vary from State to State.

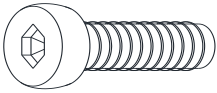
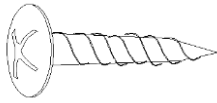



WARNING: Should this product become damaged, and/or components are broken or missing, DO NOT USE.

Counter Height Dining Chair

WM3669C

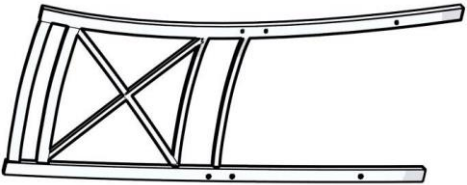
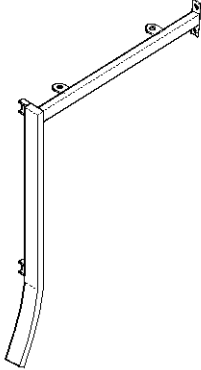
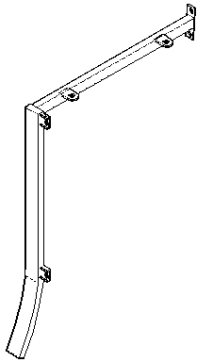
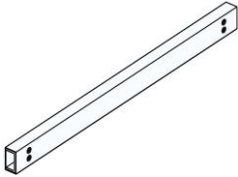


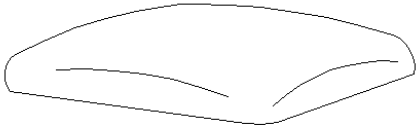
HARDWARE LIST

<p data-bbox="105 373 138 426">1</p>  <p data-bbox="224 741 415 779">Ø1/4" X 1/2 "</p>	<p data-bbox="592 373 625 426">2</p>  <p data-bbox="691 741 932 779">Ø3/16" X 13/16"</p>	<p data-bbox="1079 373 1112 426">3</p> 
<p data-bbox="272 800 370 837">BOLT</p> <p data-bbox="272 856 375 894">16 PCS</p>	<p data-bbox="686 800 935 837">WOOD SCREW</p> <p data-bbox="764 856 857 894">4 PCS</p>	<p data-bbox="1198 800 1401 837">ALLEN KEY</p> <p data-bbox="1268 856 1338 894">1 PC</p>

Counter Height Dining Chair

WM3669C

PARTS LIST

A 	B 	C 
BACK FRAME 1 PC	RIGHT LEG 1 PC	LEFT LEG 1 PC
D 	E 	F 
CONNECTING ROD 2 PCS	LEFT BRACE 1 PC	RIGHT BRACE 1 PC
G 		
SEAT CUSHION 1 PC		

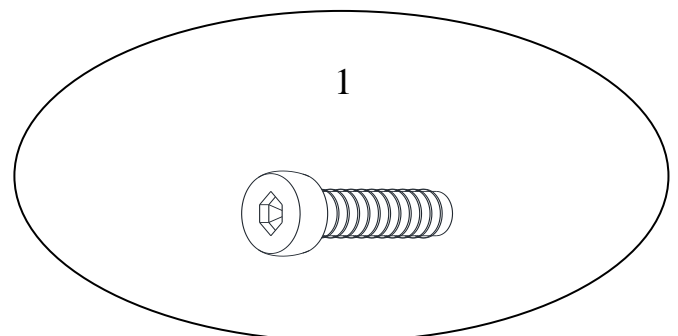
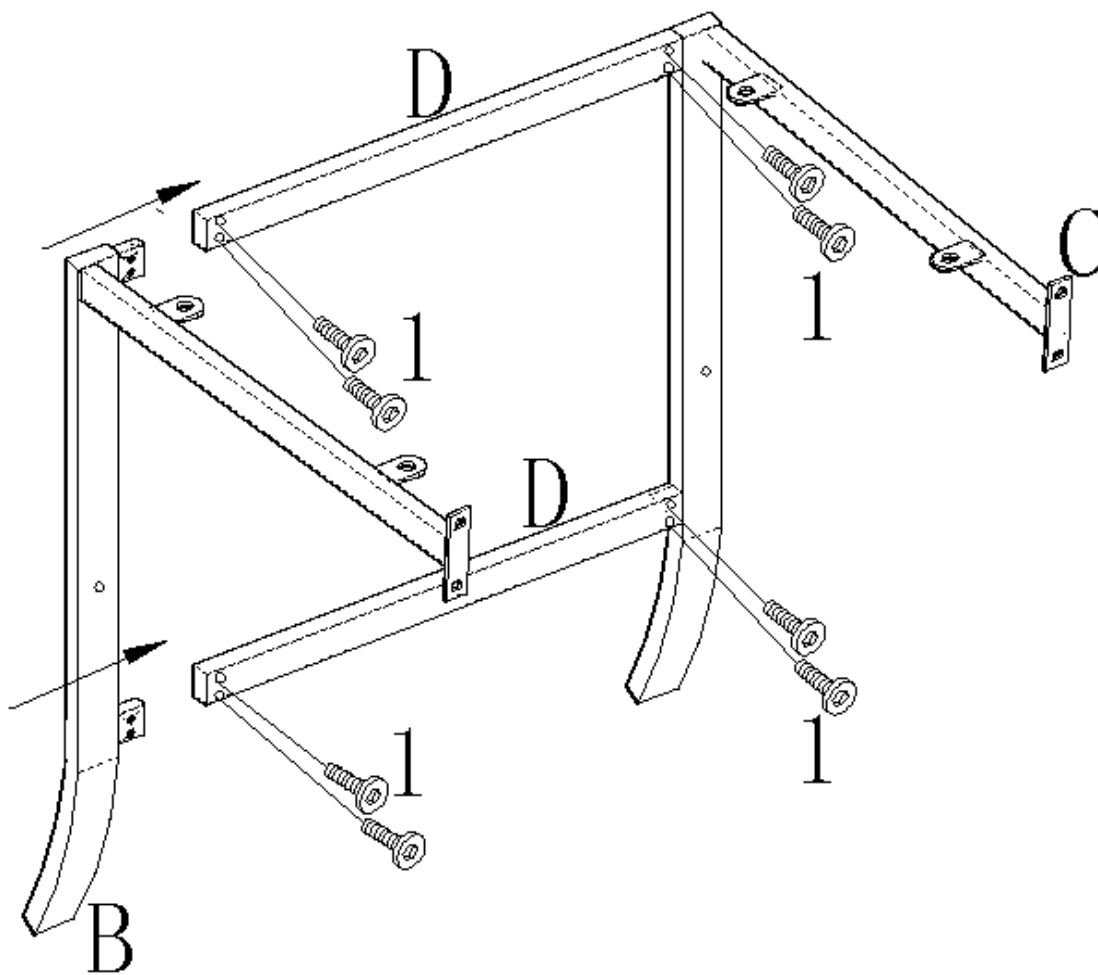
Counter Height Dining Chair

WM3669C

STEP 1

Attach the right leg (B) and left leg (C) to the two connecting rods (D) with bolts (1). Use Allen Key (3) to tighten the bolts.

NOTE: Do not fully tighten the bolts. Leaving the bolts loose will facilitate assembly in the following steps.



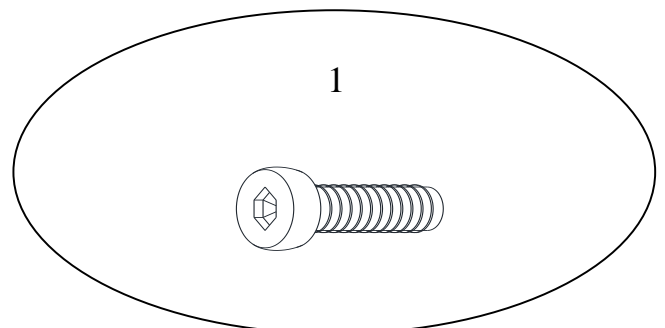
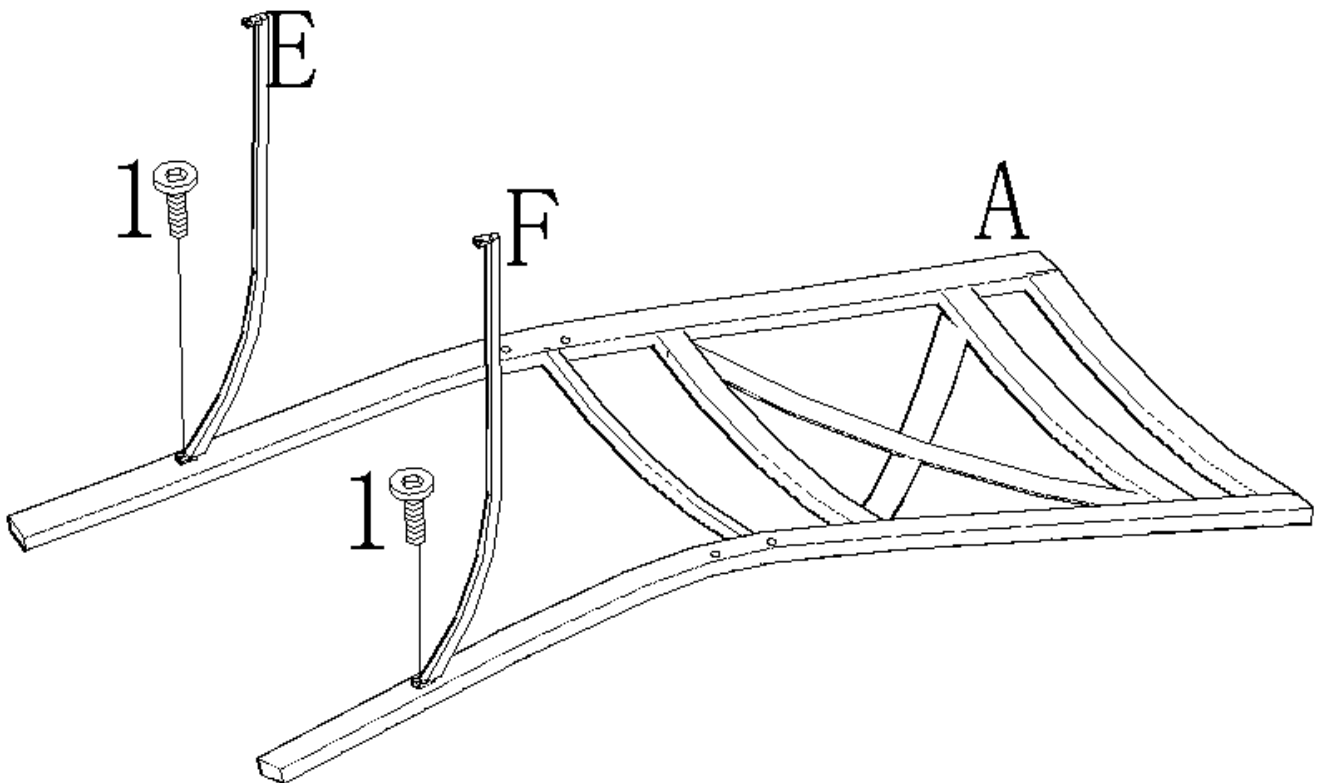
Counter Height Dining Chair

WM3669C

STEP 2

Attach the left brace (E) and right brace (F) to back frame (A) with the bolts (1). Use Allen Key (3) to tighten the bolts.

NOTE: Do not fully tighten the bolts. Leaving the bolts loose will facilitate assembly in the following steps.



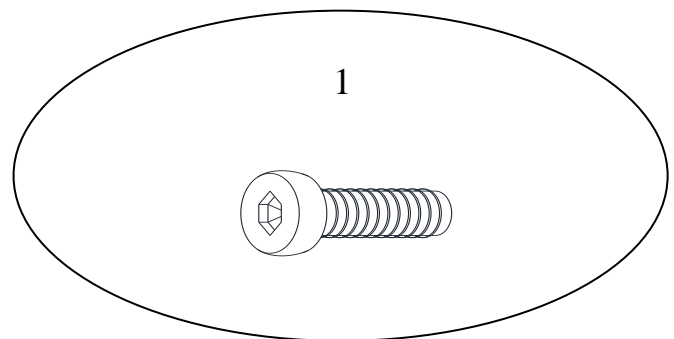
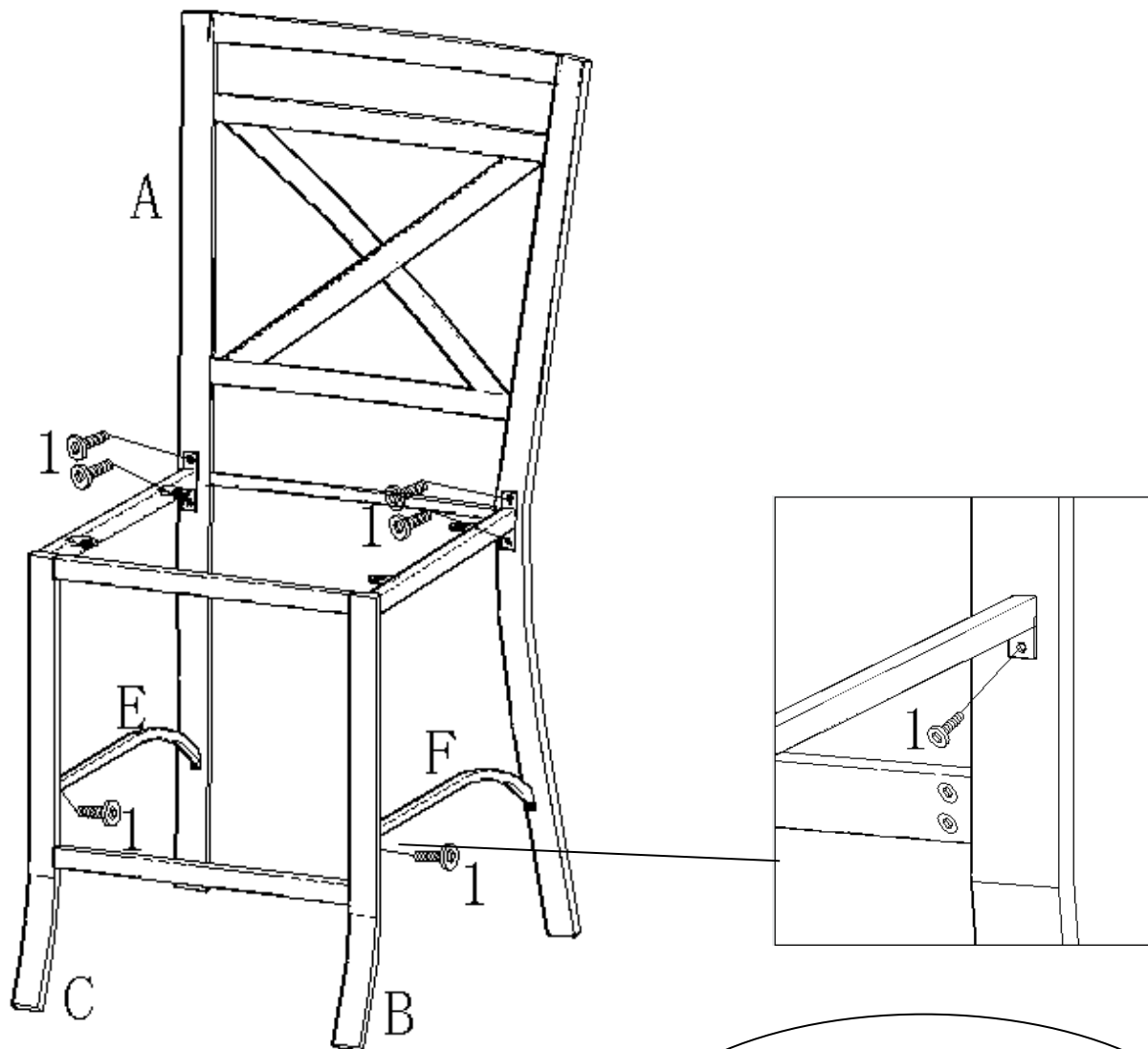
Counter Height Dining Chair

WM3669C

STEP 3

Attach legs (B & C) to back frame (A) and braces (E & F) with the bolts (1). Use Allen Key (3) to tighten the bolts.

Tighten all bolts previously installed.

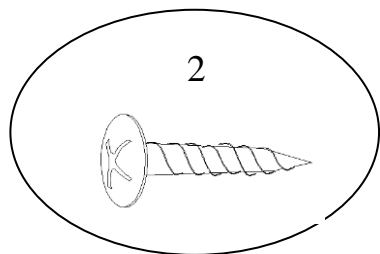
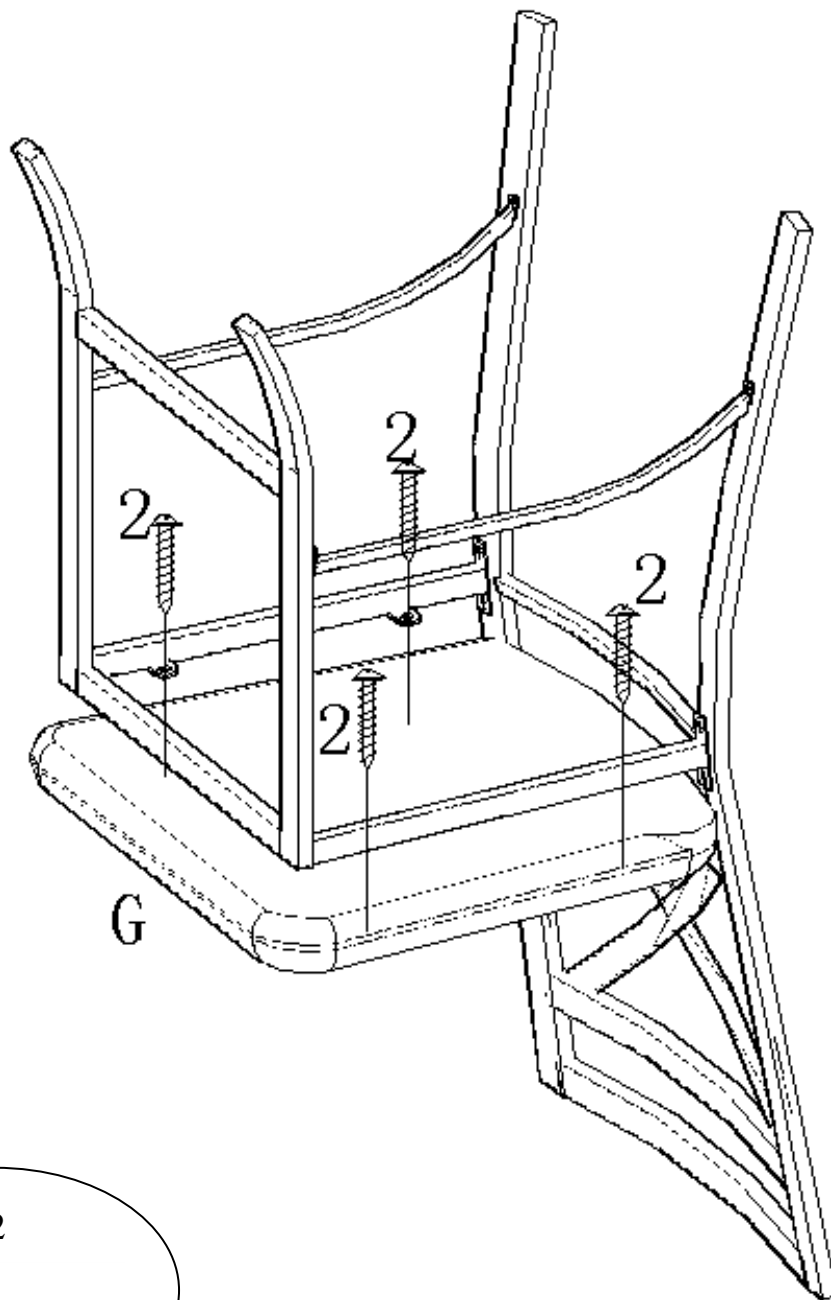


Counter Height Dining Chair

WM3669C

STEP 4

Attach the seat cushion (G) to the chair frame with wood screws (2) using a Phillips head screwdriver (not included).



Counter Height Dining Chair

WM3669C

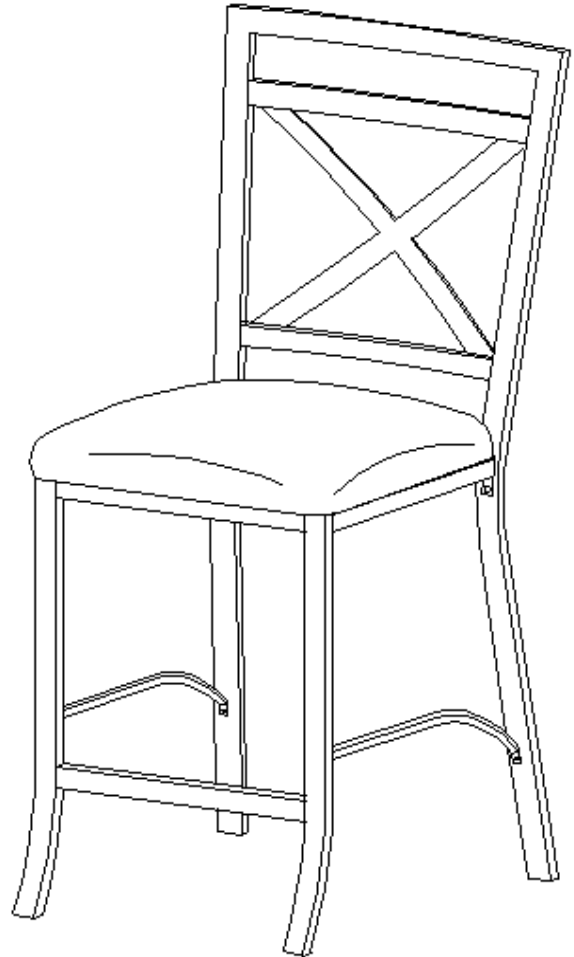


CAUTION: This unit is intended for use only with the products and/or maximum weights indicated. Use with other products and/or products heavier than the maximum weights indicated may result in instability or cause possible injury.

Dust this item regularly with a soft, lint-free cloth to prevent soil build up. Wipe away spills immediately to prevent staining using a clean cloth dampened with water. Do not use liquid or abrasive cleaners on the metal frame as this may damage the finish.

Use a cloth dampened with water or a professional product to clean the fabric. Always test an inconspicuous area first. Allow upholstery to dry and brush lightly. Keep away from heat to avoid glazing, melting or scorching.

Recommended Maximum
Weight = 225 lbs



That's it ! You've finished assembling your chair.

DO NOT RETURN PRODUCT TO THE STORE.

If a part is missing or damaged, contact our customer service department. We will replace the part **FREE** of charge.



Tel #: 1-800-295-1980
E-Mail: das@dorel.com
Fax #: 514-353-7819



Customer Service

PLEASE DO NOT RETURN THIS PRODUCT TO THE STORE

PLEASE CONTACT CUSTOMER SERVICE REPRESENTATIVES AT THE FOLLOWING NUMBERS SHOULD THERE BE ANY MISSING OR DEFECTIVE PART(S).

Customer Service Phone Number 1-800-295-1980

Email: das@dorel.com

Customer Service Fax Number 514-353-7819

Request Date:

Name:

Shipping Address:

Street & Number:

City & State:

Zip Code:

Day Time Phone Number:

(including area code)

Date & Place of Purchase:

Part(s) description and quantity: (Please be sure to list model number or SKN number)

Customer Service Representative Mailing Address:

Customer Service Department No. 413, 12345 Albert-Hudon Boulevard, Suite 100, Montreal, QC, Canada, H1G 3L1