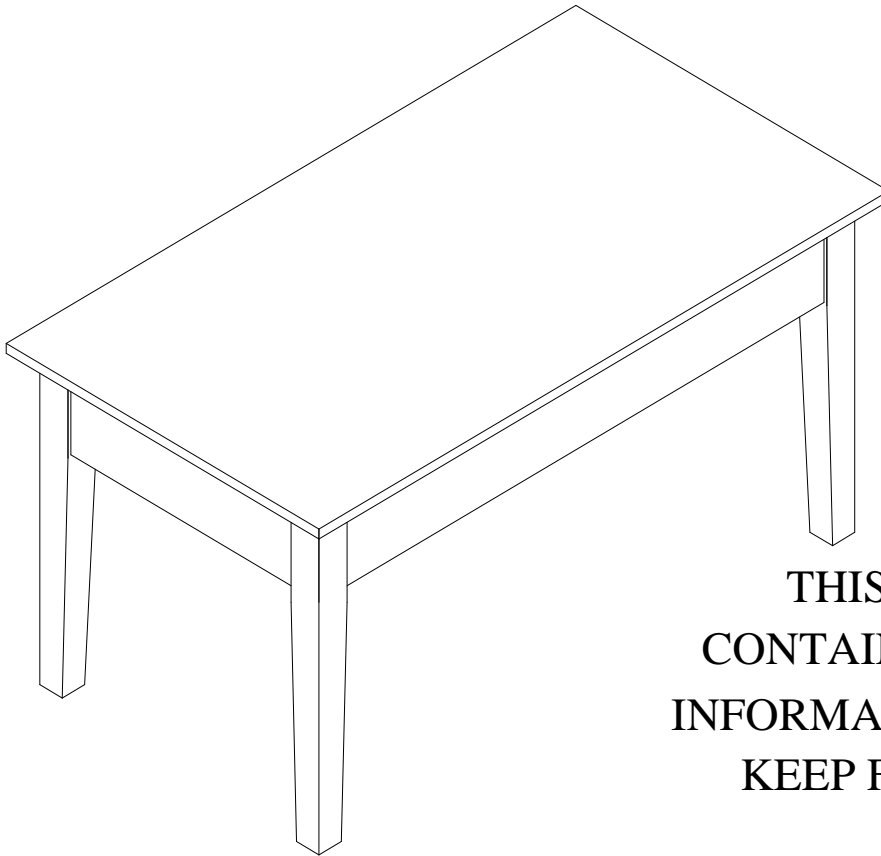


DOREL ASIA

FAUX MARBLE LIFT TOP COFFEE TABLE



Model No:

WM4057

Espresso

WM4057B

Black

UPC CODE:

0-65857-16008-6

Espresso

0-65857-16787-0

Black

NOTE:

THIS INSTRUCTION BOOKLET
CONTAINS **IMPORTANT** SAFETY
INFORMATION. PLEASE READ AND
KEEP FOR FUTURE REFERENCE.

Lot number:
(TAKEN FROM CARTON)

Date of purchase:

____ / ____ / ____

DO NOT RETURN PRODUCT TO THE STORE.

If a part is missing or damaged, contact our customer
service department. We will replace the part
FREE of charge.



Tel #: 1-800-295-1980
E-Mail: das@dorel.com
Fax #: 514-353-7819

CUSTOMER SERVICE

If you are missing parts or have any questions about this product, contact our customer service representative first!

 **CALL 1-800-295-1980**

You can also order parts by writing to the address listed below. Please include the product model number, color and a detailed description of the part.

Customer Service Department No. 413
12345 Albert-Hudon Boulevard, Suite 100
Montreal, Quebec
Canada H1G 3L1
E-MAIL: das@dorel.com

NOTES

- * Ensure all parts and components are present before beginning assembly.
- * Assemble on a soft, smooth surface to prevent damage to the product finish.
- * Read all instructions before use.
- * **DO NOT** use power tools.
- * **CAUTION:** Adult assembly required.
- * Assembly may require two people.
- * Estimated assembly time: 10 minutes.

CARE AND CLEANING

Dust regularly with a soft, lint-free cloth to prevent soil build-up. A damp cloth may be used occasionally to clean surface. Dry immediately. Do not use any abrasives that may damage finish. Excessive exposure to sunlight and extreme changes in temperature and moisture can damage wood furniture.

MAINTENANCE

Check bolts/screws periodically and tighten them if necessary.

LIMITED WARRANTY

Dorel Asia warrants its product to be free from defects in material and workmanship and agrees to remedy any such defect. This warranty covers 1 year from the date of original purchase. This warranty is valid only upon presentation of proof of purchase. This is solely limited to the repair or replacement of defective furniture components and no assembly labor is included. This warranty does not apply to any product which has been improperly assembled, subjected to misuse or abuse or which has been altered or repaired in any way. This warranty gives you specific legal rights and you may also have other rights which vary from State to State.

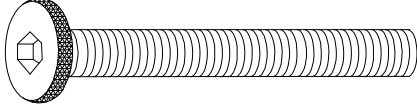
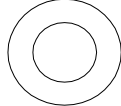
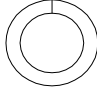



WARNING: Should this product become damaged, and/or components are broken or missing, DO NOT USE.

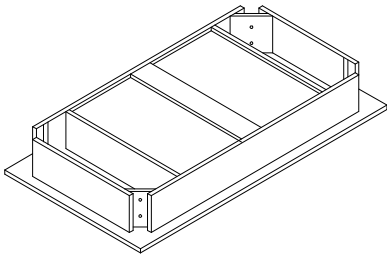
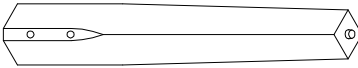
FAUX MARBLE LIFT TOP COFFEE TABLE

WM4057 / WM4057B

HARDWARE LIST

<p>1</p>  <p>Ø5/16" x 1-3/4"</p>	<p>2</p> 
<p>HEX SOCKET HEAD BOLT 8 PCS</p>	<p>FLAT WASHER 8 PCS</p>
<p>3</p> 	<p>4</p> 
<p>SPRING WASHER 8 PCS</p>	<p>ALLEN KEY 1 PC</p>

PARTS LIST

<p>A</p> 	<p>B</p> 
<p>TABLE TOP 1 PC</p>	<p>TABLE LEG 4 PCS</p>

FAUX MARBLE LIFT TOP COFFEE TABLE

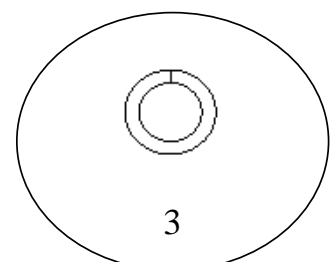
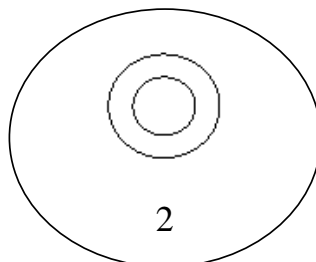
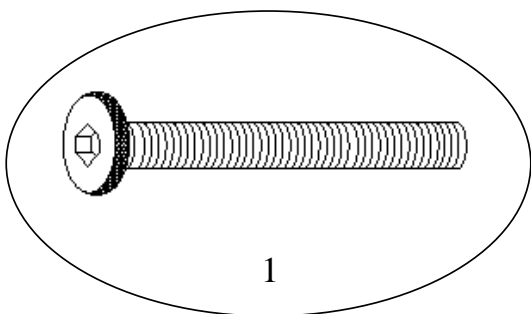
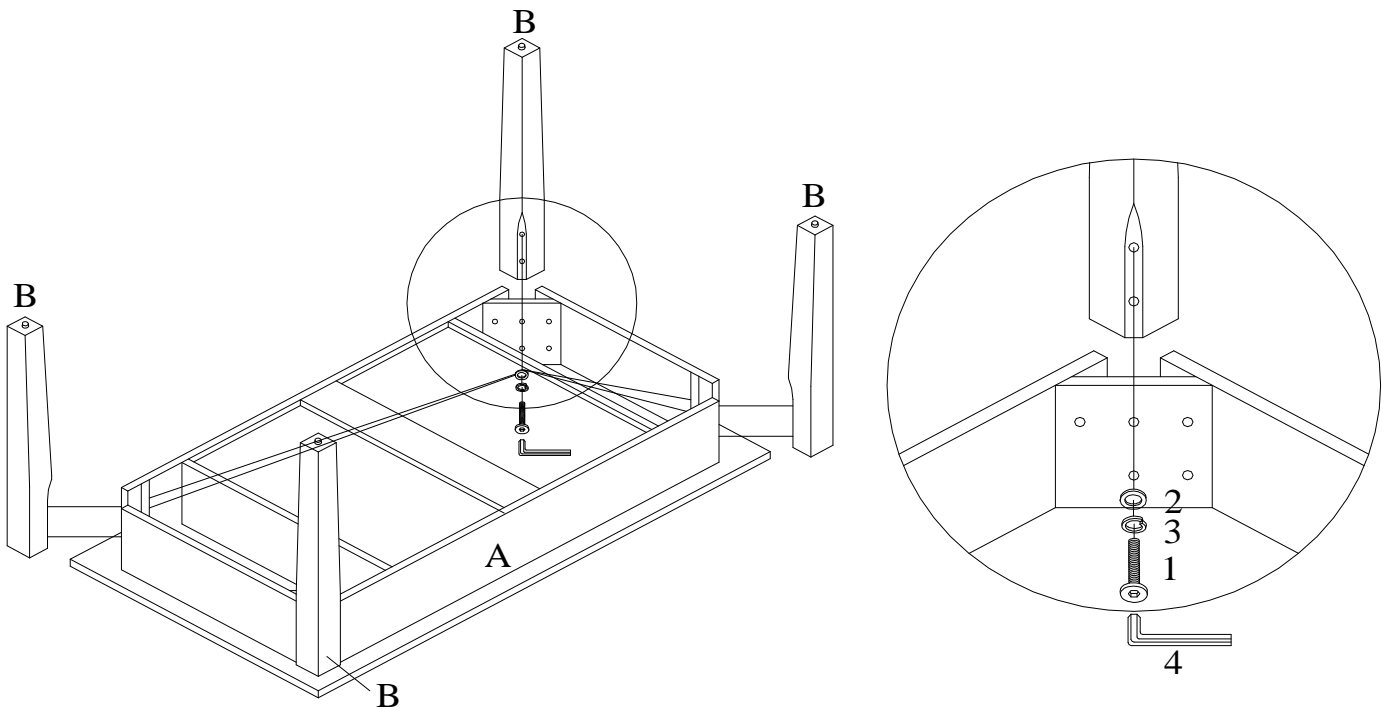
WM4057 / WM4057B

STEP 1

With the help of another person, place the table top (A) upside down on a soft, smooth surface.

Attach table legs (B) to the table top (A) with hex socket head bolts (1), spring washers (3) and flat washers (2). Use Allen Key (4) to tighten the bolts.

Turn the assembled table upright.

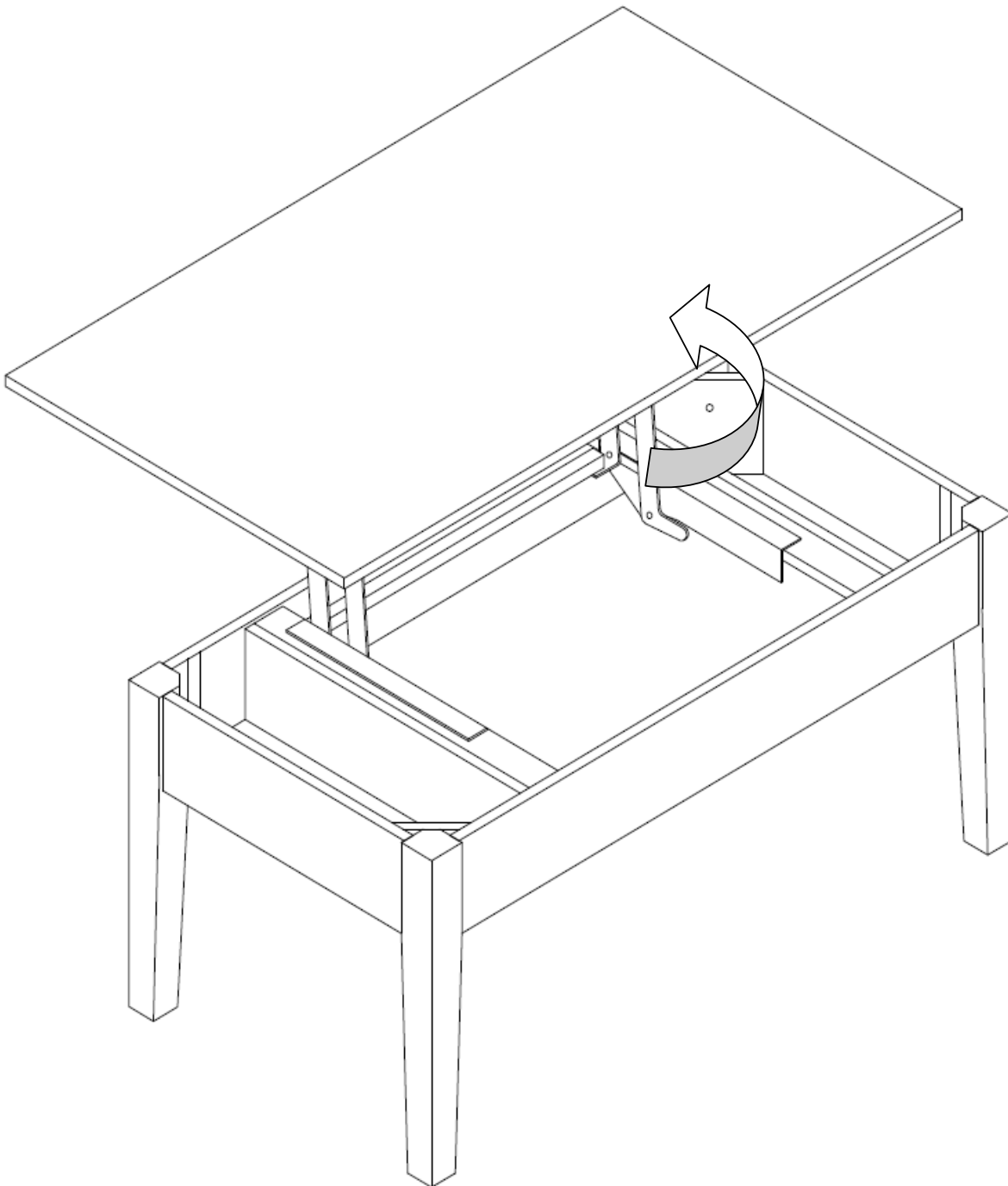


FAUX MARBLE LIFT TOP COFFEE TABLE

WM4057 / WM4057B

STEP 2

Lift the table top to reveal the storage area.

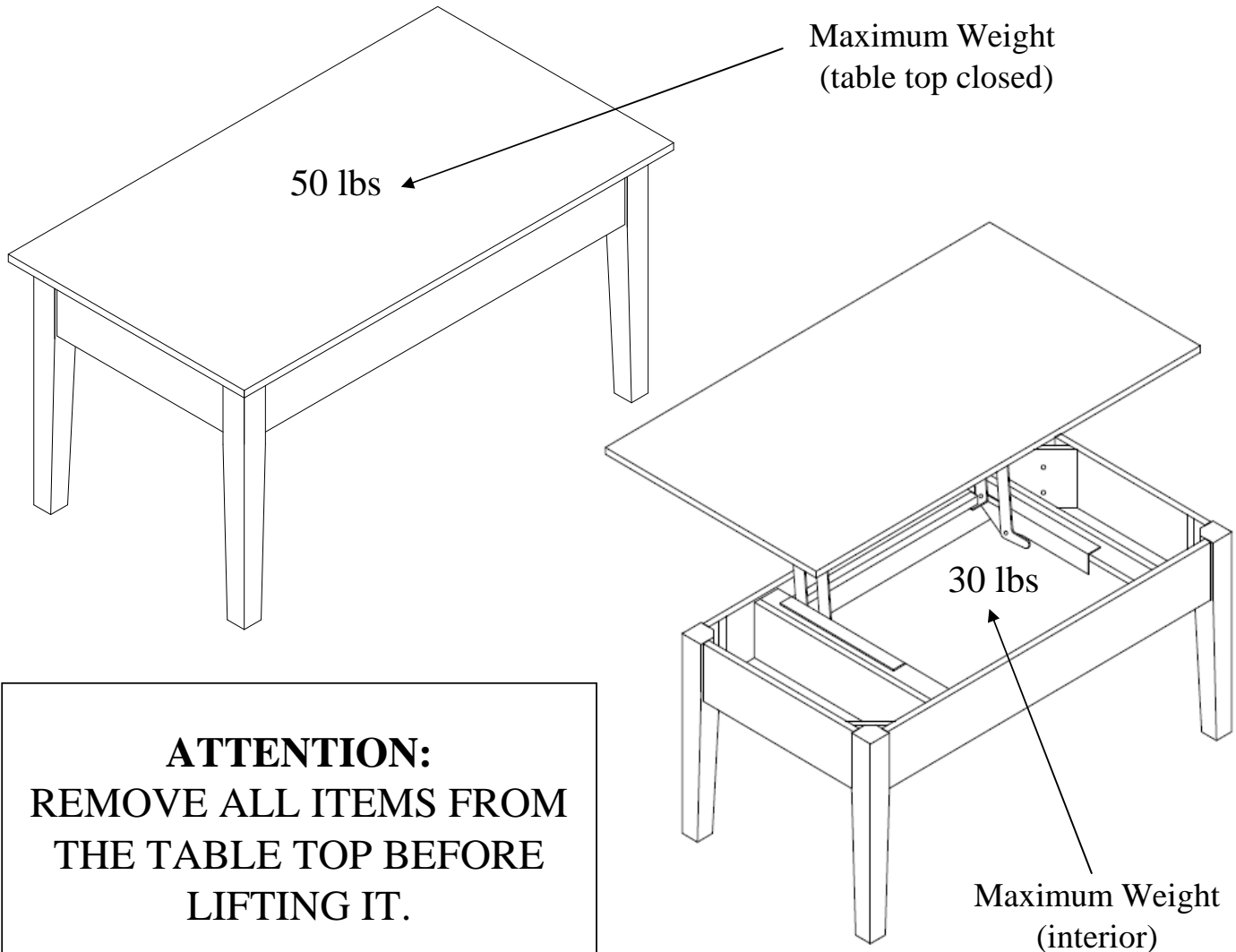


FAUX MARBLE LIFT TOP COFFEE TABLE

WM4057 / WM4057B



CAUTION: This unit is intended for use only with the products and/or maximum weights indicated. Use with other products and/or products heavier than the maximum weights indicated may result in instability or cause possible injury.



That's it! You've finished assembling your table!

DO NOT RETURN PRODUCT TO THE STORE.

If a part is missing or damaged, contact our customer service department. We will replace the part **FREE** of charge.



Tel #: 1-800-295-1980

E-Mail: das@dorel.com

Fax #: 514-353-7819

MODEL #: WM4057 / WM4057B

Customer Service

PLEASE DO NOT RETURN THIS PRODUCT TO THE STORE

PLEASE CONTACT CUSTOMER SERVICE REPRESENTATIVES AT THE FOLLOWING NUMBERS SHOULD THERE BE ANY MISSING OR DEFECTIVE PART(S).

Customer Service Phone Number 1-800-295-1980

Email: das@dorel.com

Customer Service Fax Number 514-353-7819

Request Date:

Name:

Shipping Address:

Street & Number:

City & State:

Zip Code:

Day Time Phone Number:

(including area code)

Date & Place of Purchase:

Part(s) description and quantity (Please be sure to list model number or SKN number):

Customer Service Representative Mailing Address:

Customer Service Department No. 413, 12345 Albert-Hudon Boulevard, Suite 100, Montreal, QC, Canada, H1G 3L1