

INSTRUCTION MANUAL

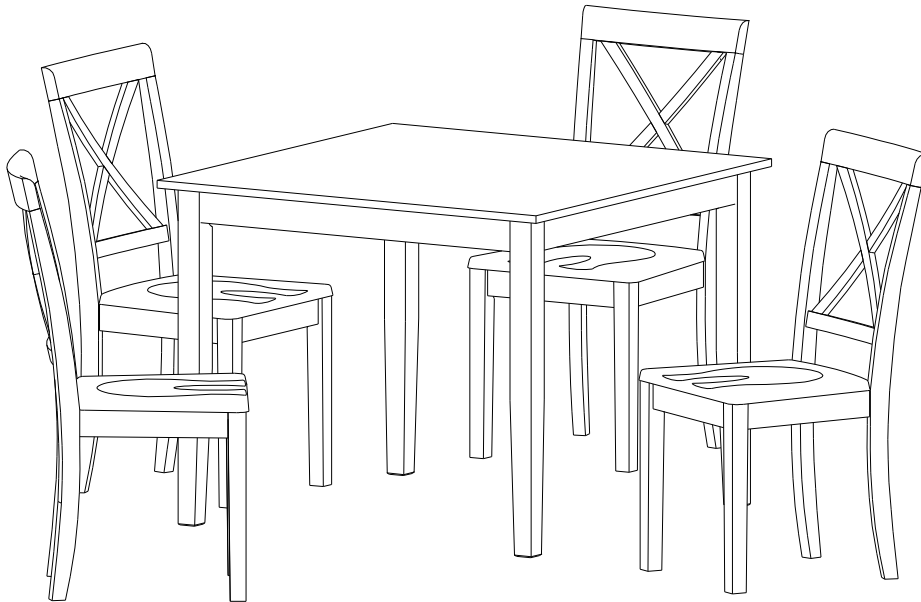
5-PC TRADITIONAL HEIGHT DINING SET

Model No:

DA7514

UPC CODE:

0-65857-16907-2



NOTE:

THIS INSTRUCTION BOOKLET
CONTAINS **IMPORTANT** SAFETY
INFORMATION. PLEASE READ AND
KEEP FOR FUTURE REFERENCE.

Lot number:

(TAKEN FROM CARTON)

Date of purchase:

____ / ____ / ____

DO NOT RETURN PRODUCT TO THE STORE.

If a part is missing or damaged, contact our customer service
department. We will replace the part **FREE** of charge.

DOREL[®]
— *Living* —



Tel #: 1-800-295-1980

E-Mail: das@dorel.com

Fax #: 514-353-7819

CUSTOMER SERVICE

If you are missing parts or have any questions about this product, contact our customer service representative first!



CALL 1-800-295-1980

You can also order parts by writing to the address listed below. Please include the product model number, color and a detailed description of the part.

**Customer Service Department No. 413
12345 Albert-Hudon Boulevard, Suite 100
Montreal, Quebec
Canada H1G 3L1**

E-MAIL: das@dorel.com

NOTES:

- * Ensure all parts and components are present before beginning assembly.
- * Assemble on a soft, smooth surface to prevent damage to product finish.
- * Phillips head screw driver is not included.
- * **DO NOT** use power tools.
- * **CAUTION:** Adult assembly required.
- * Assembly will require two people.
- * Estimated assembly time: 30 minutes.

CARE AND CLEANING

Dust table regularly with a soft, dry cloth to prevent soil build up. A dampened cloth may be used occasionally to clean the surface. Dry immediately and buff lightly, following the grain. Avoid using harsh cleaners and abrasive products.

Use coasters to prevent the formation of moisture rings and trivets to protect from hot items. Cover extension leaves (if applicable) with a soft protective fabric before storing. Do not slide objects across the surface - always lift them.

MAINTENANCE

Check bolts/screws periodically and tighten them if necessary.

LIMITED WARRANTY

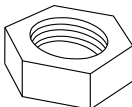
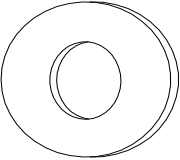
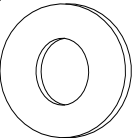

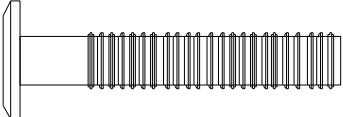

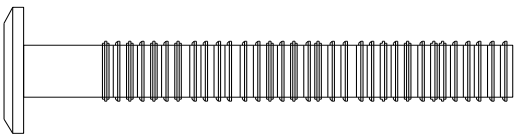
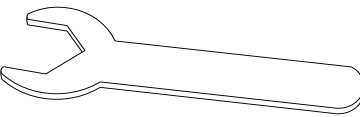
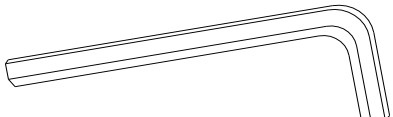
Dorel Asia warrants its product to be free from defects in material and workmanship and agrees to remedy any such defect. This warranty covers 1 year from the date of original purchase. This warranty is valid only upon presentation of proof of purchase. This is solely limited to the repair or replacement of defective furniture components and no assembly labor is included. This warranty does not apply to any product which has been improperly assembled, subjected to misuse or abuse or which has been altered or repaired in any way. This warranty gives you specific legal rights and you may also have other rights which vary from State to State.



WARNING: Should this product become damaged, and/or components are broken or missing, DO NOT USE.

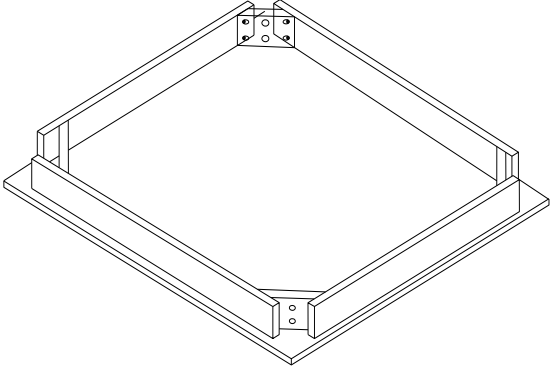
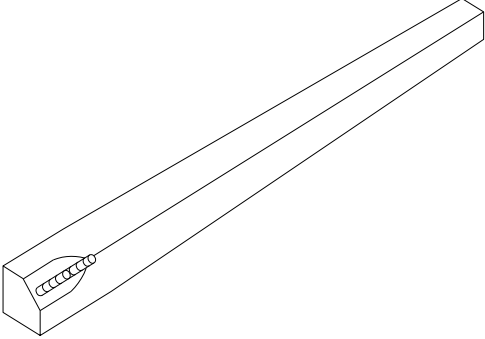
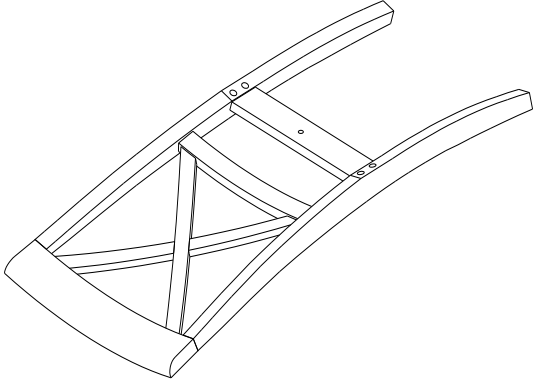
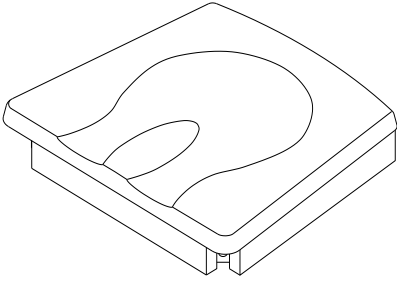
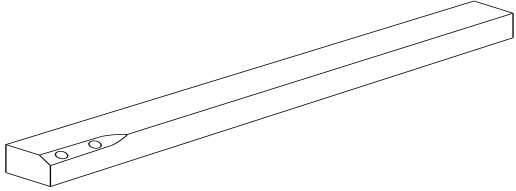
5-PC TRADITIONAL HEIGHT DINING SET DA7514

HARDWARE LIST

<p>1</p>		<p>2</p>	
<p>NUT 8 PCS</p>		<p>Ø5/16" X 23MM FLAT WASHER 8 PCS</p>	
<p>3</p>		<p>4</p>	
<p>Ø5/16" X 19MM FLAT WASHER 36 PCS</p>		<p>Ø5/16" X 11MM SPRING WASHER 44 PCS</p>	
<p>5</p>		<p>6</p>	
<p>Ø5/16" X 1-1/2" BOLT 4 PCS</p>		<p>Ø5/16" X 3" BOLT 16 PCS</p>	
<p>7</p>		<p>8</p>	
<p>Ø5/16" X 2-1/4" BOLT 16 PCS</p>		<p>ALLEN WRENCH 1 PC</p>	
<p>9</p>			
<p>ALLEN KEY 1 PC</p>			

5-PC TRADITIONAL HEIGHT DINING SET DA7514

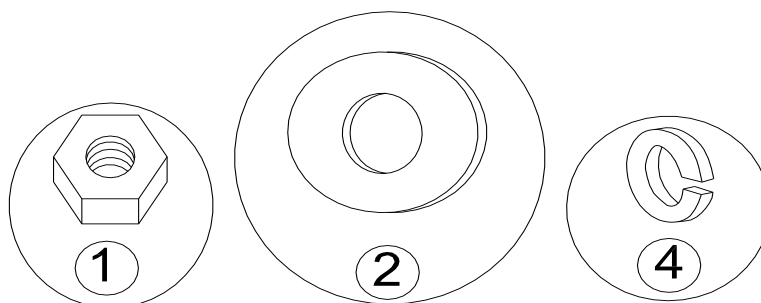
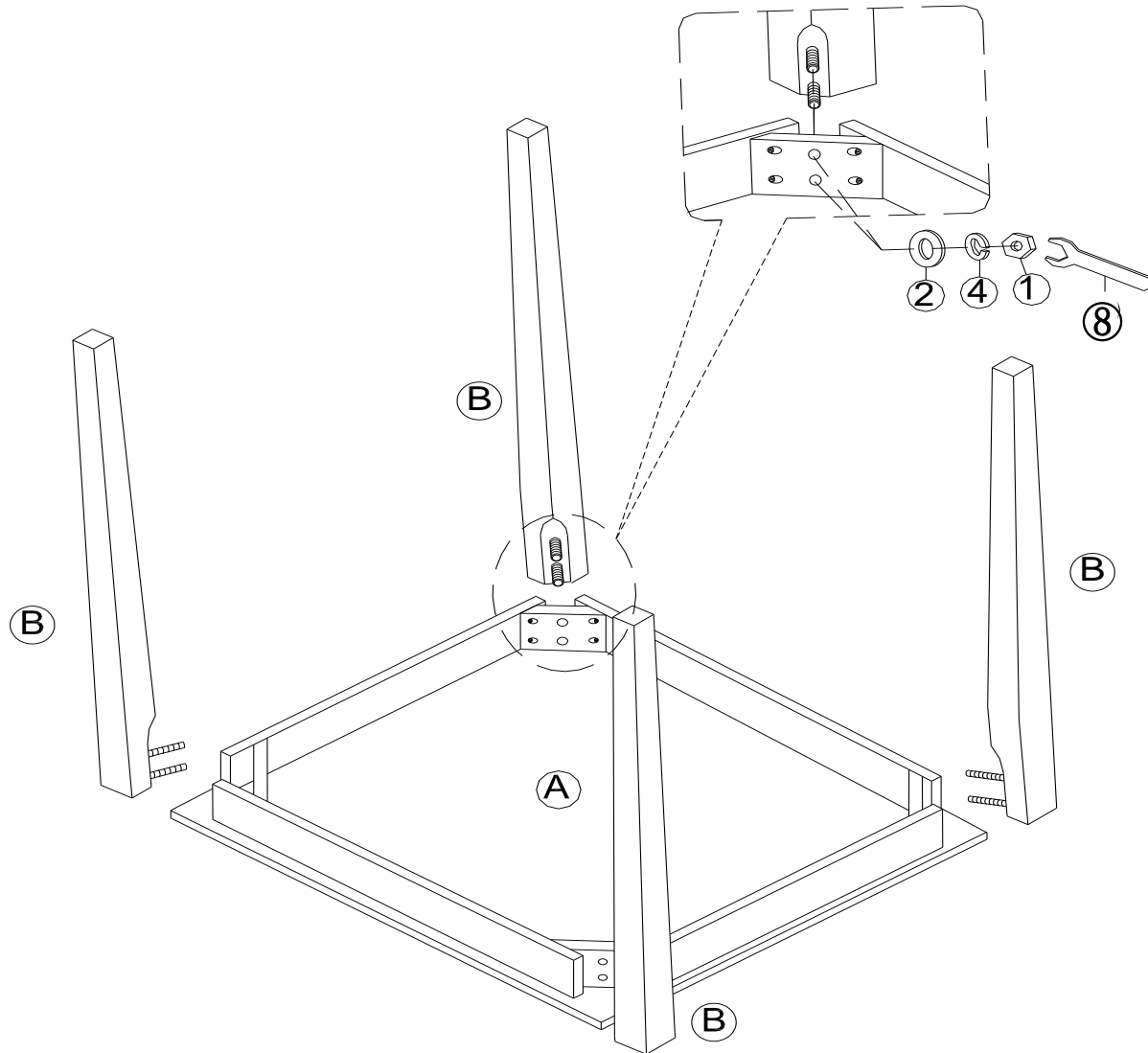
PARTS LIST

A 	B 
TABLE TOP 1 PC	TABLE LEG 4 PCS
C 	D 
BACK FRAME 4 PCS	SEAT FRAME 4 PCS
E 	
CHAIR LEG 8 PCS	

5-PC TRADITIONAL HEIGHT DINING SET DA7514

STEP 1

With the help of another person, place table top (A) upside down on a clean, smooth surface. Attach table legs (B) to table top (A) with nuts (1), spring washers (4) and flat washers (2). Use Allen Wrench (8) to tighten nuts (1).



5-PC TRADITIONAL HEIGHT DINING SET DA7514

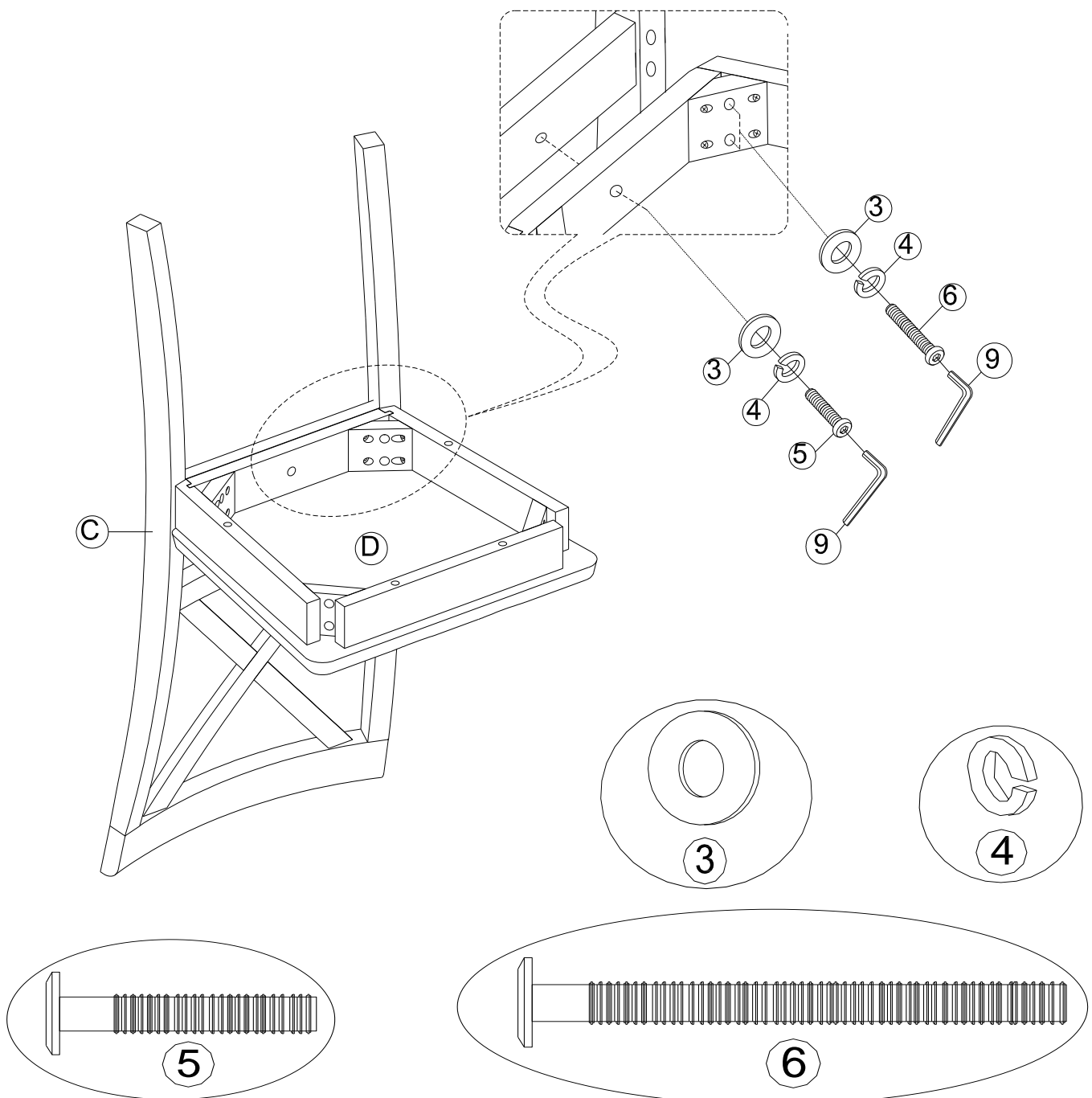
STEP 2

Attach seat frame (D) to back frame (C) with bolts (6), spring washers (4) and flat washers (3) through the corners of seat frame (D).

Secure the center of seat frame (D) to back frame (C) with bolt (5), spring washer (4) and flat washer (3).

Use Allen key (9) to install the bolts.

NOTE: Do not fully tighten the bolts. Leaving them loose will facilitate assembly in the following step.



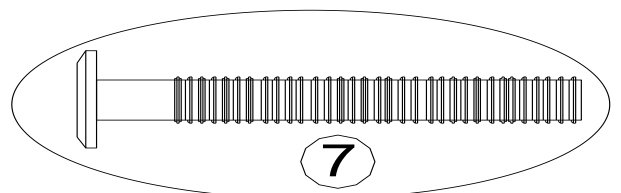
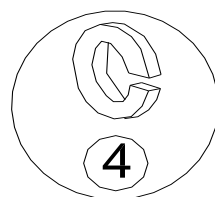
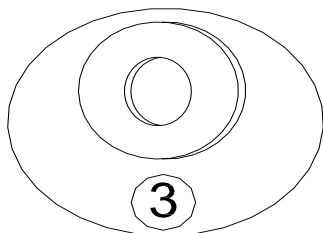
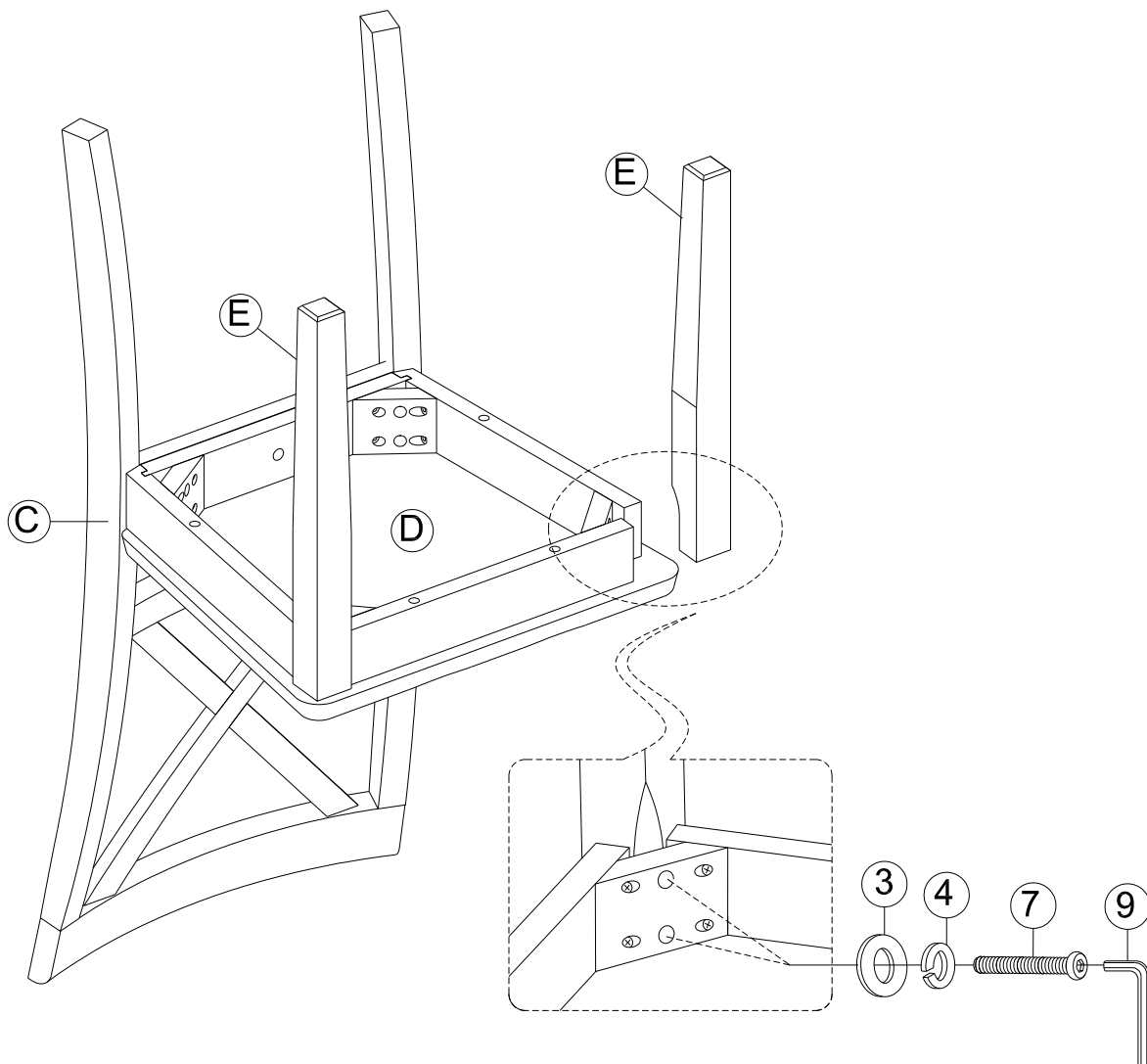
5-PC TRADITIONAL HEIGHT DINING SET DA7514

STEP 3

Attach the legs (E) to seat frame (D) with bolts (7), spring washers (4) and flat washers (3). Use Allen key (9) to tighten the bolts.

NOTE: Tighten all the bolts installed in previous steps.

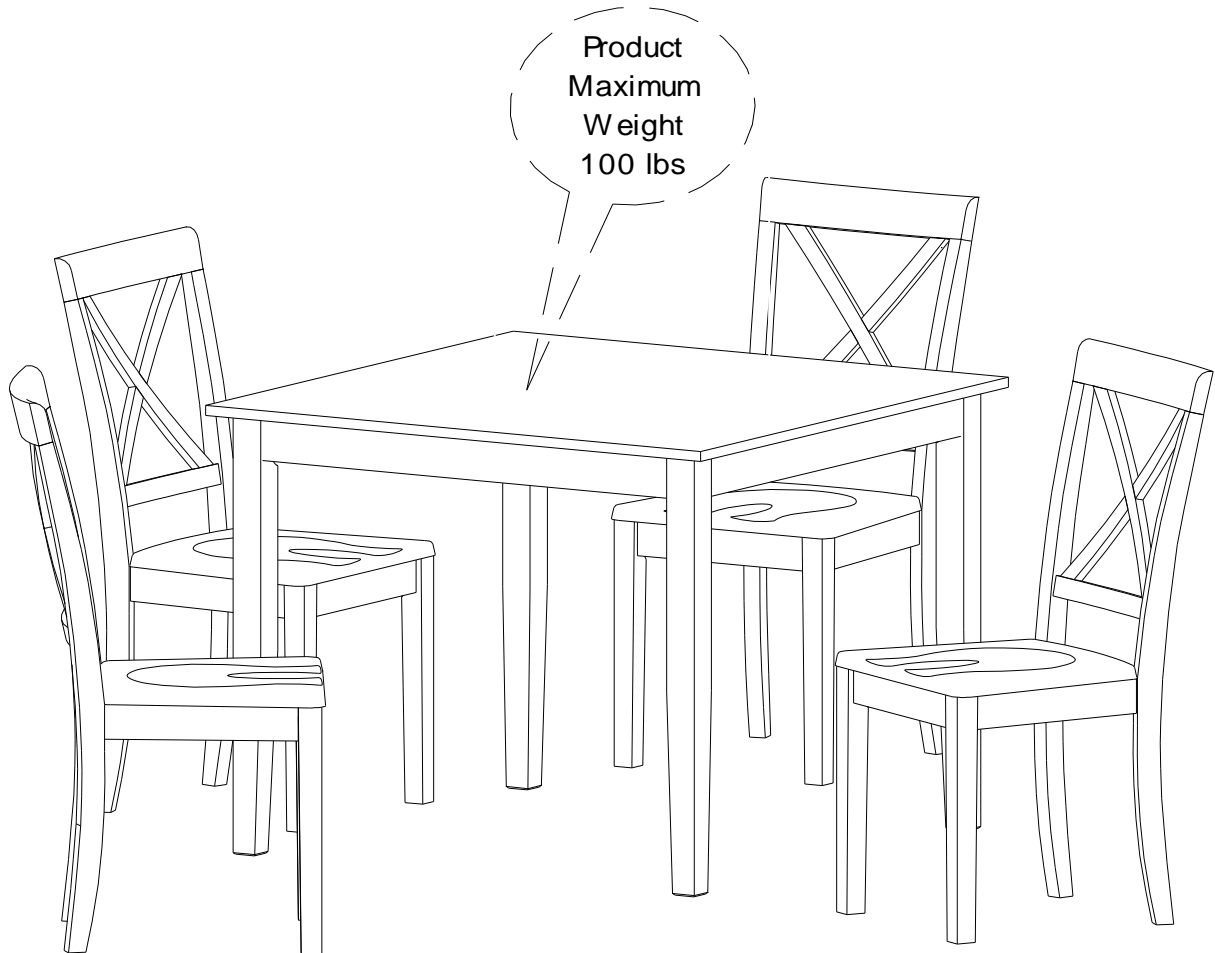
Repeat steps 2 and 3 to assemble the remaining chairs.



5-PC TRADITIONAL HEIGHT DINING SET DA7514



CAUTION: This unit is intended for use only with the products and/or maximum weights indicated. Use with other products and/or products heavier than the maximum weights indicated may result in instability or cause possible injury.



That's it ! You've finished assembling your dining set.

DO NOT RETURN PRODUCT TO THE STORE.

If a part is missing or damaged, contact our customer service department. We will replace the part **FREE** of charge.



Tel #: 1-800-295-1980
E-Mail: das@dorel.com
Fax #: 514-353-7819

Customer Service

PLEASE DO NOT RETURN THIS PRODUCT TO THE STORE

PLEASE CONTACT CUSTOMER SERVICE REPRESENTATIVES AT THE FOLLOWING NUMBERS SHOULD THERE BE ANY MISSING OR DEFECTIVE PART(S).

Customer Service Phone Number 1-800-295-1980	Email: das@dorel.com
Customer Service Fax Number 514-353-7819	

Request Date:

Name:

Shipping Address:

Street & Number:

City & State:

Zip Code:

Day Time Phone Number:

(including area code)

Date & Place of Purchase:

Part(s) description and quantity (Please be sure to list model number or SKN number):