

INDUSTRIAL OTTOMAN WITH NAILHEADS

| | | |
|----------------------|------------------|---------------|
| Model Number: | UPC Code: | Color: |
| TG7240-O | 0-65857-17030-6 | Brown |

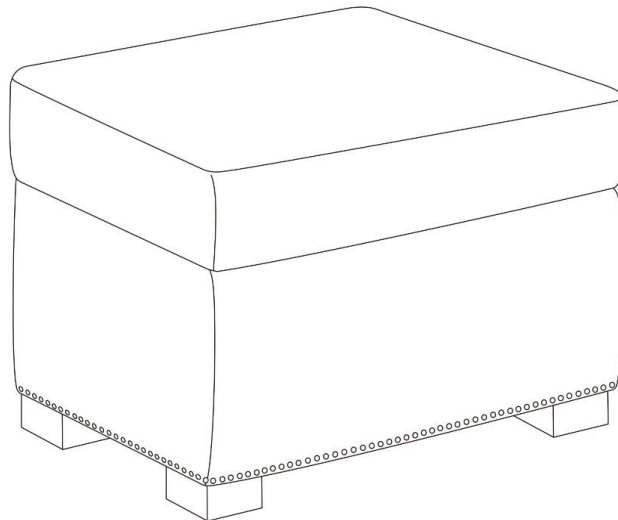
Congratulations on your latest furniture purchase! **Dorel Living** furniture has been developed with quality, convenience and style in mind. We trust it will provide you with many years of exceptional comfort and service.

Before beginning assembly, we encourage you to familiarize yourself with your new furniture piece by taking a few minutes to go through this booklet. It contains important information on our warranty and care tips to keep your furniture looking as good as new.

Customer satisfaction is important to us at Dorel Asia. Our agents are available Monday to Friday 8am to 5pm (EST) to answer any question you may have. For faster service, always have the model number ready when calling our toll free number **1-800-1295-1980** or emailing us at **das@dorel.com**.

For more great furniture ideas, check out our website at www.dorelliving.com.

You can also keep up to date on all the latest trends by liking our [Facebook page](#).



Date of Purchase: ____ / ____ / ____

Lot Number: _____
(taken from carton)

DO NOT RETURN PRODUCT TO THE STORE. If a part is missing or damaged, contact our customer service department. We will replace the part **FREE** of charge.

NOTE: THIS INSTRUCTION BOOKLET CONTAINS **IMPORTANT** SAFETY INFORMATION. PLEASE READ AND KEEP FOR FUTURE REFERENCE.

CUSTOMER SERVICE

If you are missing parts or have any questions about this product, contact our customer service representative first!



CALL 1-800-295-1980

You can also order parts by writing to the address listed below. Please include the product model number, color and a detailed description of the part.

**Customer Service Department No. 413
12345 Albert-Hudon Boulevard, Suite 100
Montreal, Quebec
Canada H1G 3L1**

E-MAIL: das@dorel.com

NOTES

- * Ensure all parts and components are present before beginning assembly.
- * Assembly and handling will require two people.
- * Assemble on a soft, smooth surface to prevent damage to the product finish.
- * Read all instructions completely before assembly.
- * **DO NOT** use power tools.
- * CAUTION: Adult assembly required.
- * Estimated assembly time: 10 minutes.

CARE AND CLEANING

Dust regularly with a clean, dry cloth to avoid soil build-up. A damp cloth may be used occasionally to clean surface. Buff dry. Keep leather soft and supple by applying a leather care product occasionally. Avoid contact with oil, furniture polish and varnish.

MAINTENANCE

Check bolts/screws periodically and tighten them if necessary.

LIMITED WARRANTY

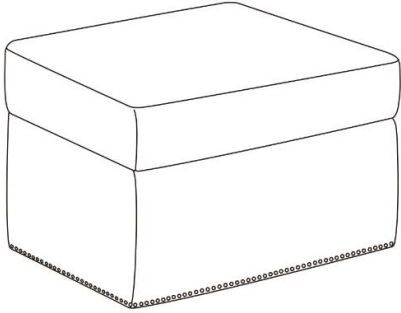
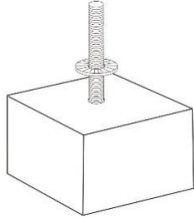
Dorel Asia warrants its product to be free from defects in material and workmanship and agrees to remedy any such defect. This warranty covers 1 year from the date of original purchase. This warranty is valid only upon presentation of proof of purchase. This is solely limited to the repair or replacement of defective furniture components and no assembly labor is included. This warranty does not apply to any product which has been improperly assembled, subjected to misuse or abuse or which has been altered or repaired in any way. Any wearing, tearing, fading or splitting of the leather is not covered under the warranty. This warranty gives you specific legal rights and you may also have other rights which vary from State to State.



WARNING: Should this product become damaged, and/or components are broken or missing, DO NOT USE.

INDUSTRIAL OTTOMAN WITH NAILHEADS TG7240-O

PARTS LIST

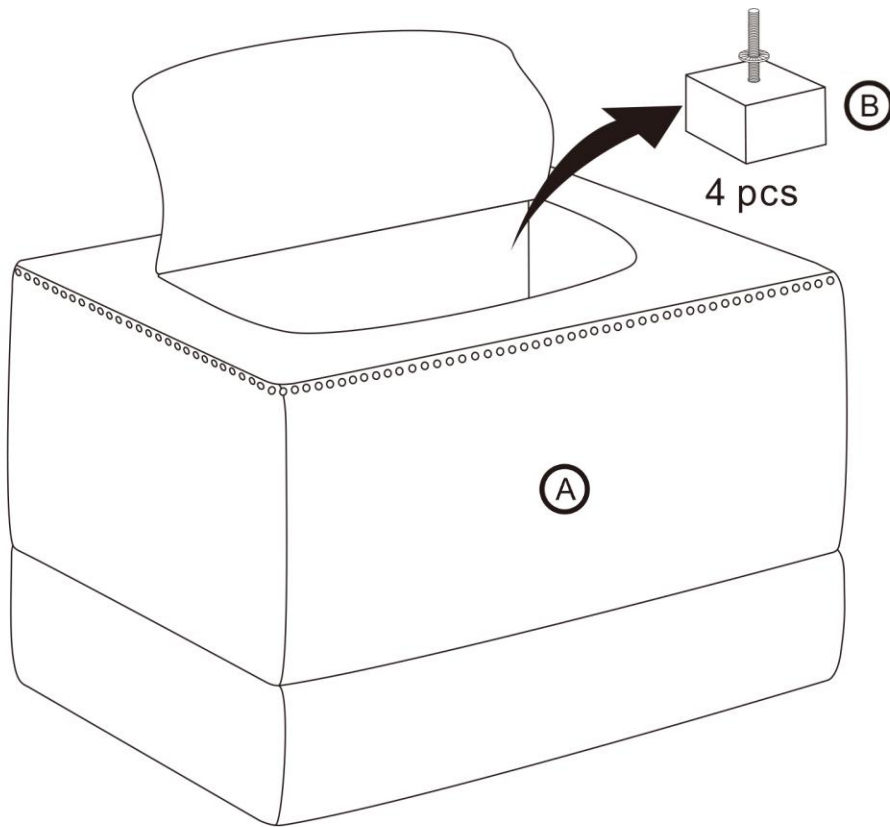
| | |
|--|--|
| <p>A</p>  | <p>B</p>  |
| <p>OTTOMAN BODY 1 PC</p> | <p>FEET WITH PLASTIC WASHER 4 PCS</p> |

NOTE: Feet (B) are packed inside the ottoman body (A) for transportation purposes. Please remove them from the zippered compartment underneath the ottoman body (A) before beginning assembly.

INDUSTRIAL OTTOMAN WITH NAILHEADS TG7240-O

STEP 1:

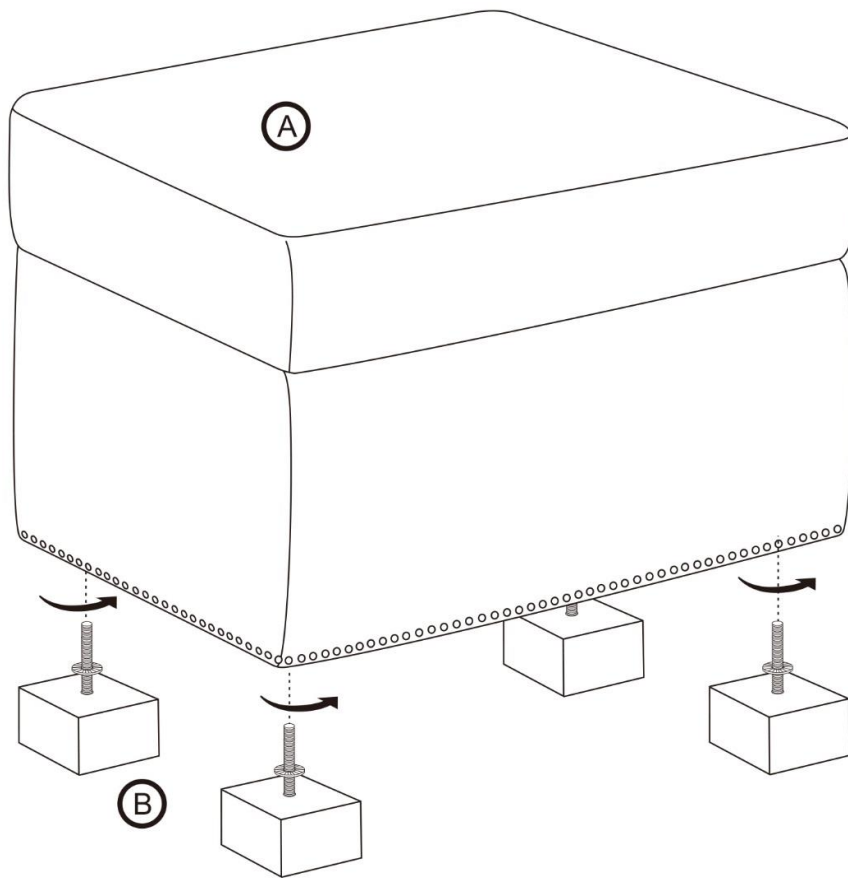
Unzip the fabric underneath ottoman body (A) to retrieve feet (B).



INDUSTRIAL OTTOMAN WITH NAILHEADS TG7240-O

STEP 2:

Attach feet with plastic washers (B) to the ottoman body (A) by rotating the feet clockwise.

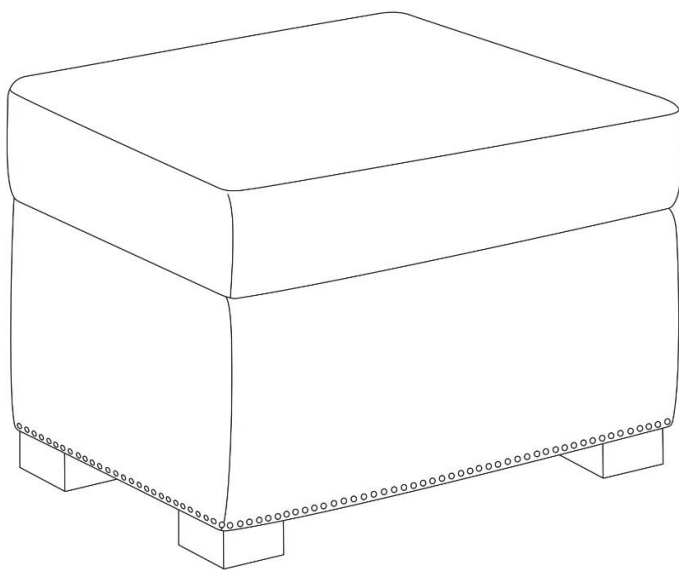


INDUSTRIAL OTTOMAN WITH NAILHEADS TG7240-O



CAUTION: This unit is intended for use only with the products and/or maximum weights indicated. Use with other products and/or products heavier than the maximum weights indicated may result in instability or cause possible injury.

Dust regularly with a clean, dry cloth to avoid soil build-up. A damp cloth may be used occasionally to clean surface. Buff dry. Keep leather soft and supple by applying a leather care product occasionally. Avoid contact with oil, furniture polish and varnish.



That's it! You've finished assembling your ottoman.

DO NOT RETURN PRODUCT TO THE STORE.

If a part is missing or damaged, contact our customer service department. We will replace the part **FREE** of charge.



Tel #: 1-800-295-1980
E-Mail: das@dorel.com
Fax #: 514-353-7819

Customer Service

PLEASE DO NOT RETURN THIS PRODUCT TO THE STORE

PLEASE CONTACT CUSTOMER SERVICE REPRESENTATIVES AT THE FOLLOWING NUMBERS SHOULD THERE BE ANY MISSING OR DEFECTIVE PART(S).

Customer Service Phone Number 1-800-295-1980

Email: das@dorel.com

Customer Service Fax Number 514-353-7819

Request Date:

Name:

Shipping Address:

Street & Number:

City & State:

Zip Code:

Day Time Phone Number:

(including area code)

Date & Place of Purchase:

Part(s) description and quantity (Please be sure to list model number or SKN number):

Customer Service Representative Mailing Address:

Customer Service Department No. 413, 12345 Albert-Hudon Boulevard, Suite 100, Montreal, QC, Canada, H1G 3L1