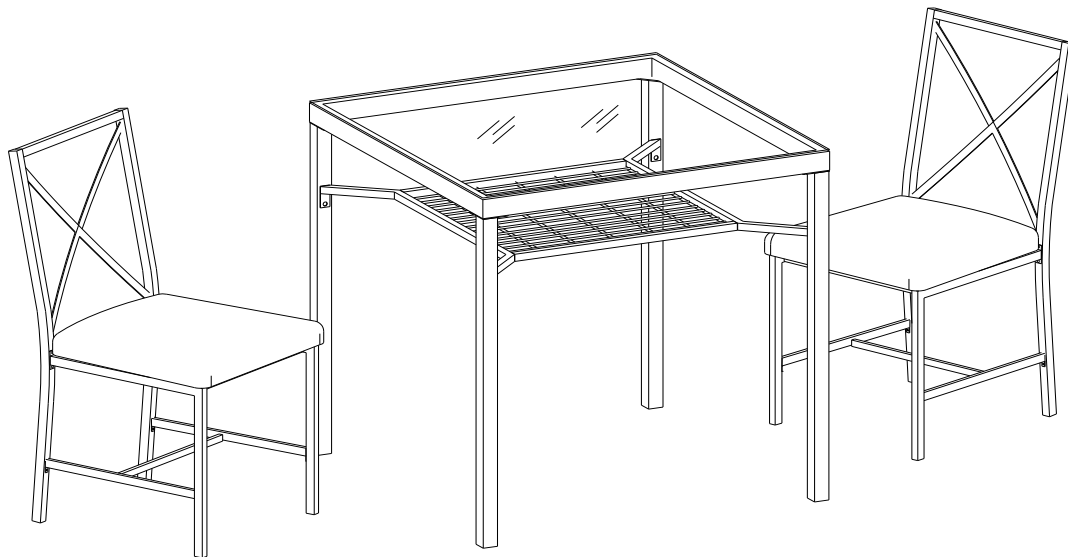


DOREL ASIA

3-Pc Metal & Glass Dinette

Model No:

DA7402



UPC CODE:

0-65857-17233-1

NOTE:

THIS INSTRUCTION BOOKLET
CONTAINS **IMPORTANT** SAFETY
INFORMATION. PLEASE READ AND
KEEP FOR FUTURE REFERENCE.

Lot number:

(TAKEN FROM CARTON)

Date of purchase:

____ / ____ / ____

DO NOT RETURN PRODUCT TO THE STORE.

If a part is missing or damaged, contact our customer service department. We will replace the part **FREE** of charge.



Tel #: 1-800-295-1980

E-Mail: das@dorel.com

Fax #: 514-353-7819

CUSTOMER SERVICE

If you are missing parts or have any questions about this product, contact our customer service representative first!

 **CALL 1-800-295-1980**

You can also order parts by writing to the address listed below. Please include the product model number, color and a detailed description of the part.

**Customer Service Department No. 413
12345 Albert-Hudon Boulevard, Suite 100
Montreal, Quebec
Canada H1G 3L1**

E-MAIL: das@dorel.com

NOTES:

- * Ensure all parts and components are present before beginning assembly.
- * Assemble on a soft, smooth surface to prevent damage to product finish.
- * Assembly and handling may require two people.
- * Estimated assembly time is 45 - 60 minutes.
- * **DO NOT** use power tools.
- * **CAUTION:** Adult assembly required.
- * Phillips head screw driver is not included.

CARE AND CLEANING

Dust this item regularly with a soft, lint-free cloth to prevent soil build up. Wipe away spills immediately to prevent staining using a clean cloth dampened with water. Do not use liquid or abrasive cleaners on the metal frame as this may damage the finish.

Dust the upholstery regularly with a clean, dry cloth to avoid soil build-up. A damp cloth may be used occasionally to clean surface. Buff dry. Keep leather soft and supple by applying a leather care product occasionally. Avoid contact with oil, furniture polish and varnish.

MAINTENANCE

Check bolts/screws periodically and tighten them if necessary.

LIMITED WARRANTY

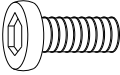
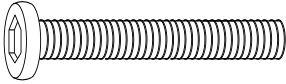
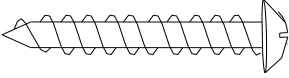


Dorel warrants its product to be free from defects in material and workmanship and agrees to remedy any such defect. This warranty covers 1 year from the date of original purchase. This warranty is valid only upon presentation of proof of purchase. This is solely limited to the repair or replacement of defective furniture components and no assembly labor is included. This warranty does not apply to any product which has been improperly assembled, subjected to misuse or abuse or which has been altered or repaired in any way. Any wearing, tearing, fading or splitting of the leather is not covered under the warranty. This warranty gives you specific legal rights and you may also have other rights which vary from State to State.



WARNING: Should this product become damaged, and/or components are broken or missing, DO NOT USE.

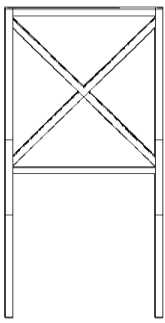
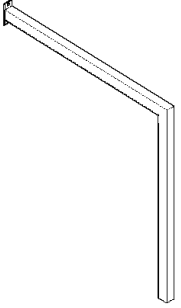
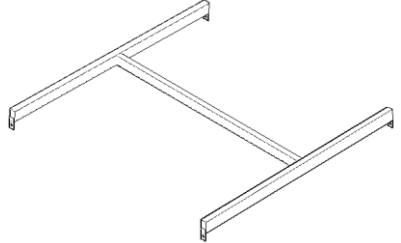
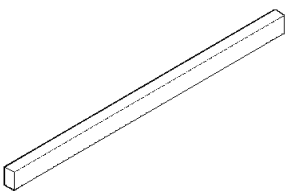
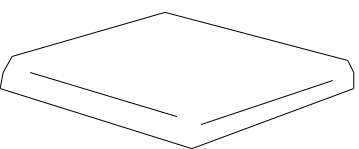
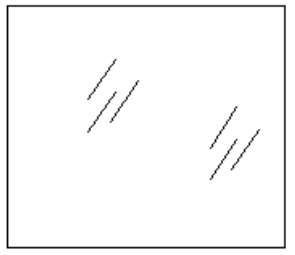
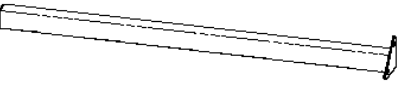
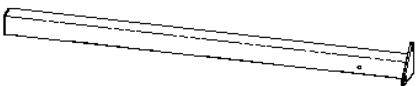
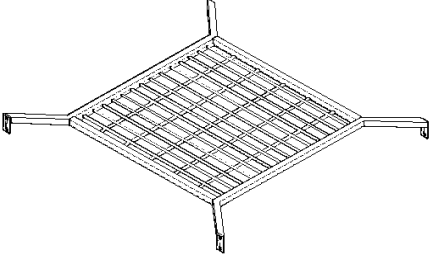
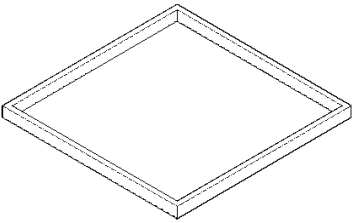
3-Pc Metal & Glass Dinette DA7402

HARDWARE LIST

| | | |
|---|---|--|
| 1  Ø1/4" X 1/2" | 2  Ø1/4" X 1-3/8" | 3  Ø3/16" X 1-3/8" |
| BOLT 28 PCS | BOLT 4 PCS | WOOD SCREW 8 PCS |
| 4  | 5  | |
| RUBBER PAD 4 PCS | ALLEN KEY 1 PC | |

3-Pc Metal & Glass Dinette DA7402

PARTS LIST

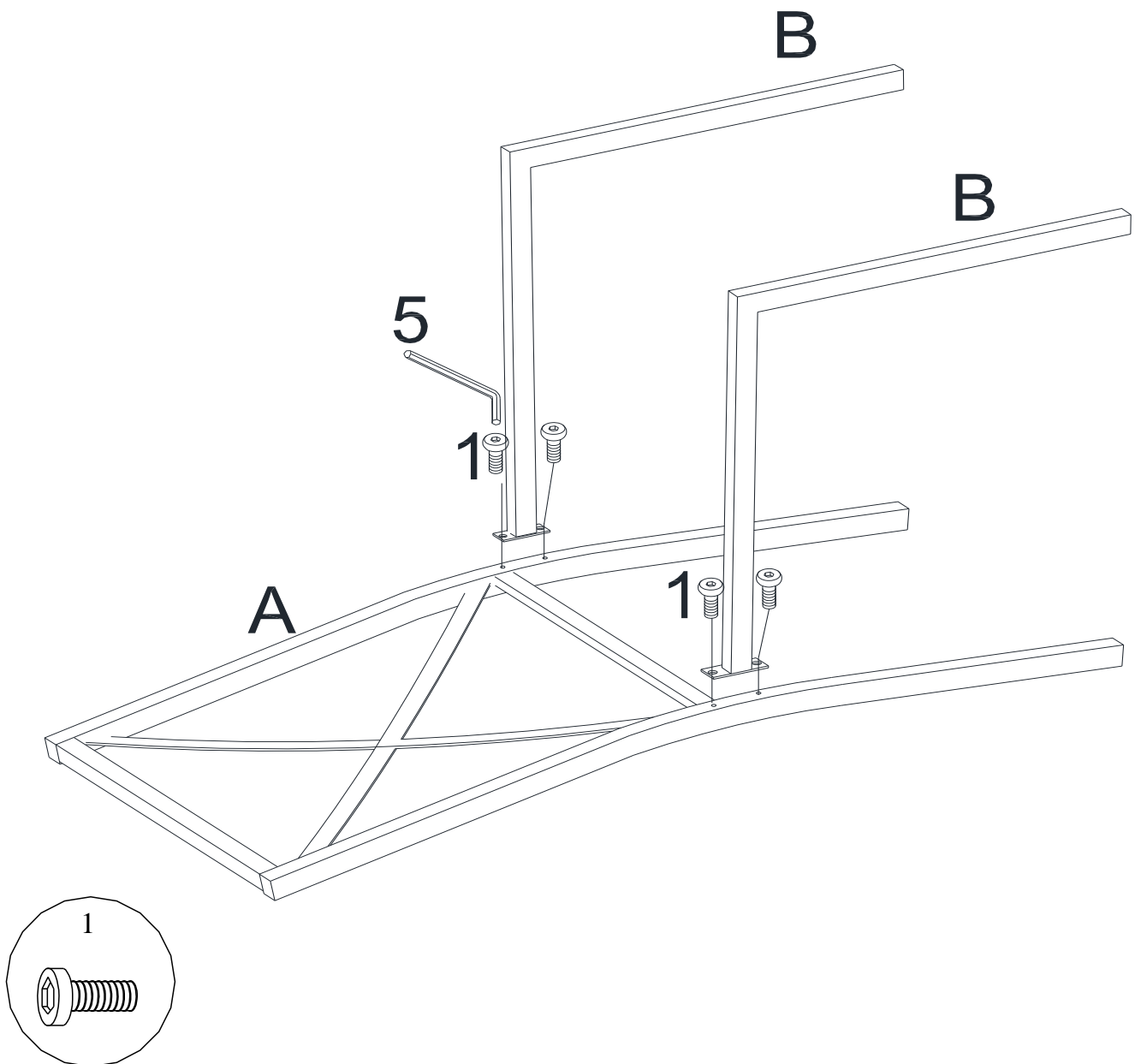
| | | |
|---|--|---|
| <p>A</p>  | <p>B</p>  | <p>C</p>  |
| <p style="text-align: center;">BACK FRAME 2 PCS</p> | <p style="text-align: center;">CHAIR LEG 4 PCS</p> | <p style="text-align: center;">CHAIR BOTTOM RAIL 2 PCS</p> |
| <p>D</p>  | <p>E</p>  | <p>F</p>  |
| <p style="text-align: center;">CHAIR FRONT RAIL 2 PCS</p> | <p style="text-align: center;">SEAT CUSHION 2 PCS</p> | <p style="text-align: center;">GLASS TOP 1 PC</p> |
| <p>G</p>  | <p>H</p>  | <p>I</p>  |
| <p style="text-align: center;">TABLE LEG 2 PCS</p> | <p style="text-align: center;">TABLE LEG 2 PCS</p> | <p style="text-align: center;">TABLE METAL SHELF 1 PC</p> |
| <p>J</p>  <p style="text-align: center;">TABLE FRAME 1 PC</p> | | |

3-Pc Metal & Glass Dinette DA7402

STEP 1

Attach chair legs (B) to the back frame (A) with bolts (1) and Allen key (5).

NOTE: Do not fully tighten the bolts. Loose bolts will facilitate assembly in the following steps.

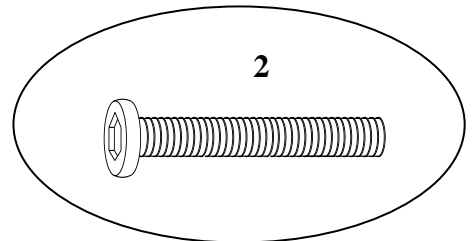
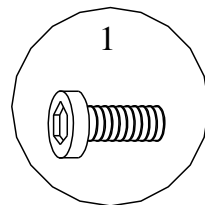
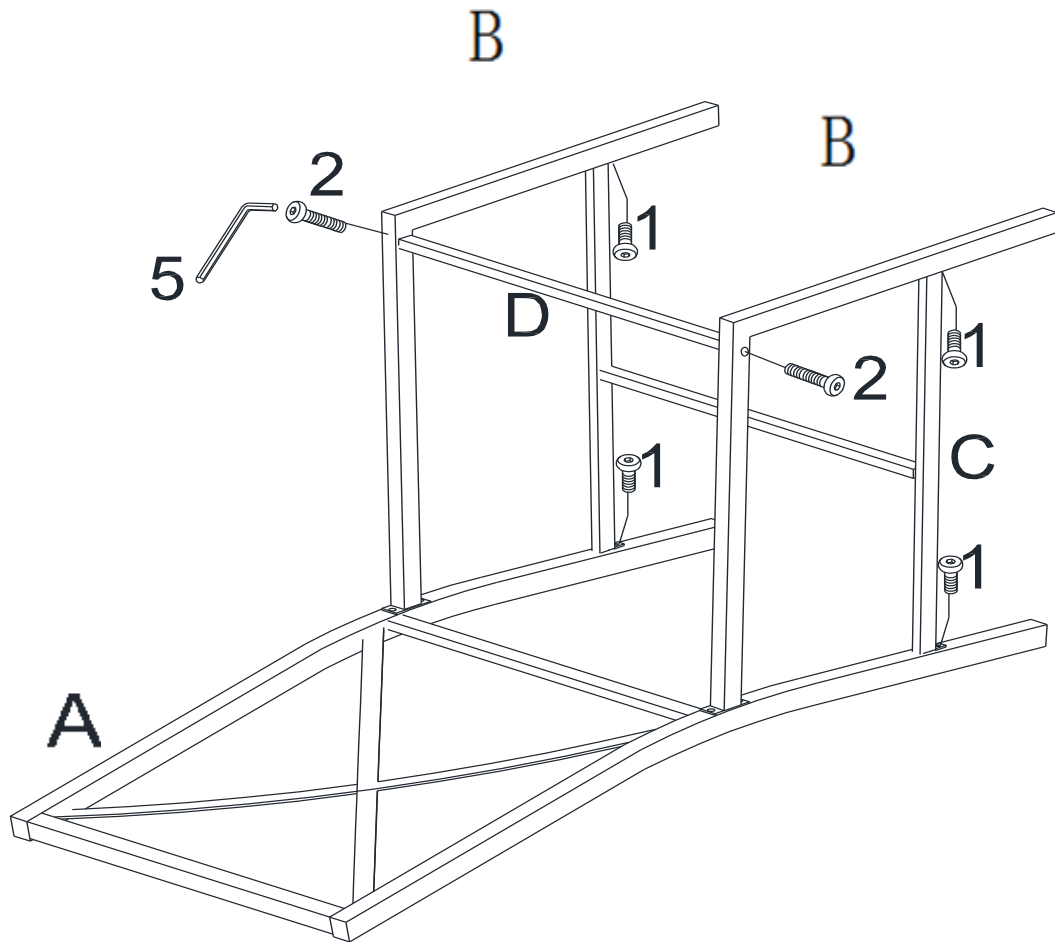


3-Pc Metal & Glass Dinette DA7402

STEP 2

Attach chair front rail (D) to the chair legs (B) with bolts (2) and Allen key (5).
Attach the chair bottom rail (C) to the chair legs (B) and chair back (A) with bolts (1).
Ensure that the chair front rail (D) goes smoothly into the two chair legs before tightening the bolts (2).

Tighten all bolts installed in step 1 and 2.



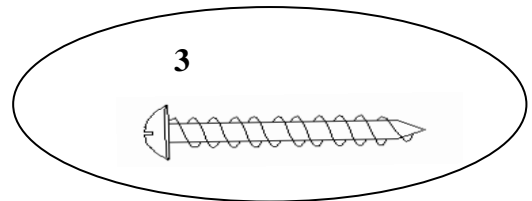
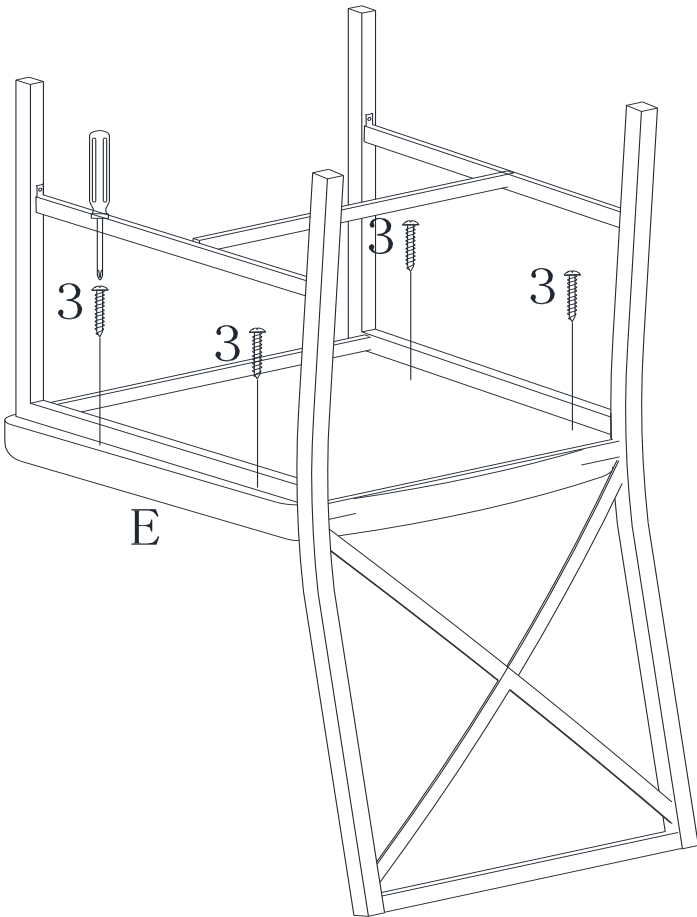
3-Pc Metal & Glass Dinette DA7402

STEP 3

Attach seat cushion (E) to the chair frame with wood screws (3) as shown. Use a Phillips head screw driver (not included) to tighten the screws.

NOTE: Seat cushion (E) does not have pre-drilled holes. Wood screws (3) will make their own holes in seat cushion (E).

Repeat steps 1- 3 to assemble the other chair.

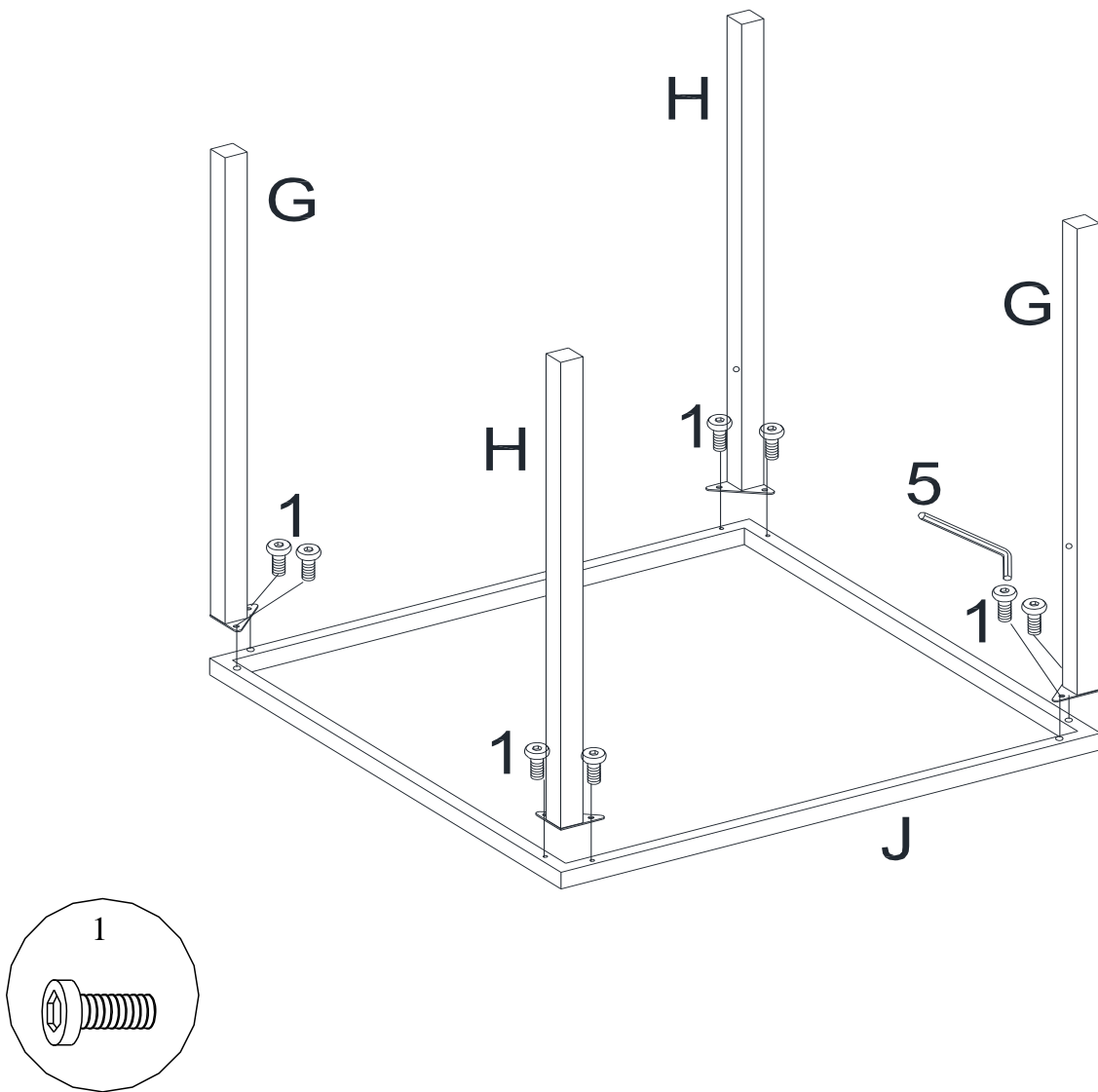


3-Pc Metal & Glass Dinette DA7402

STEP 4

Attach table legs (G & H) to the table frame (J) with bolts (1) and Allen key (5).

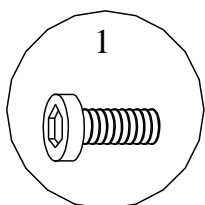
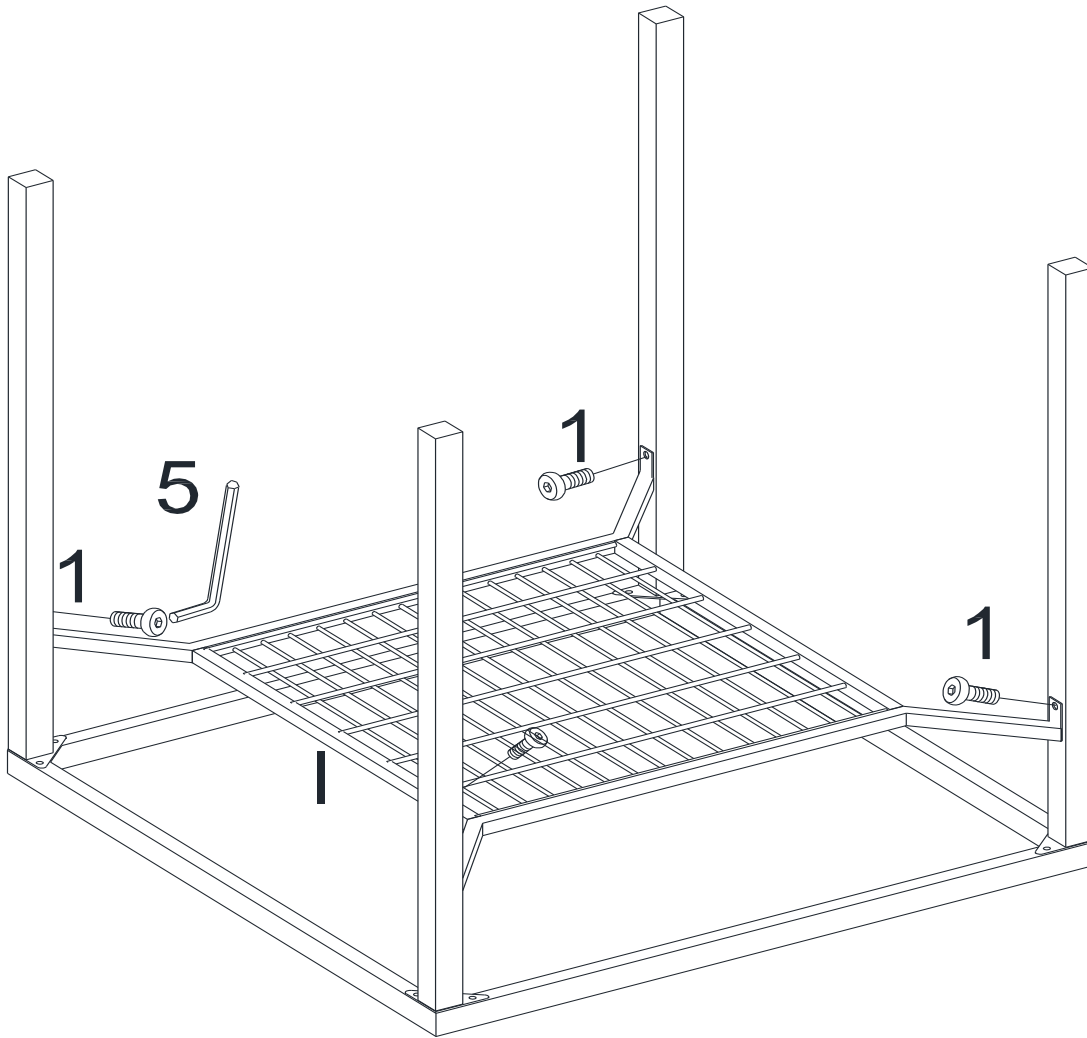
NOTE: Do not fully tighten the bolts. Loose bolts will facilitate assembly in the following steps.



3-Pc Metal & Glass Dinette DA7402

STEP 5

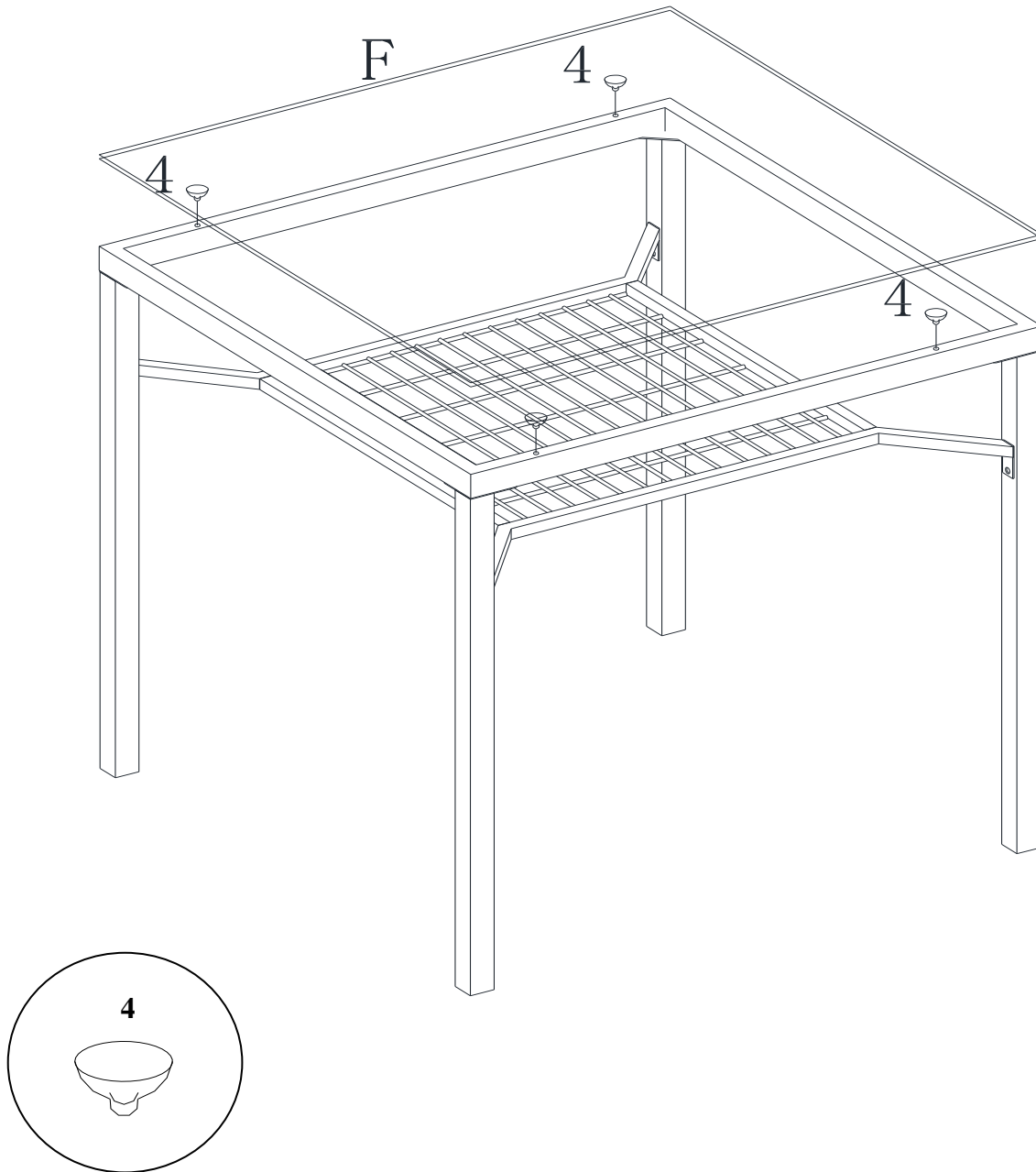
Attach table metal shelf (I) to the table legs (G & H) with bolts (1).
Use Allen key (5) to tighten all bolts installed in step 4 and 5.
Turn the table upright.



3-Pc Metal & Glass Dinette DA7402

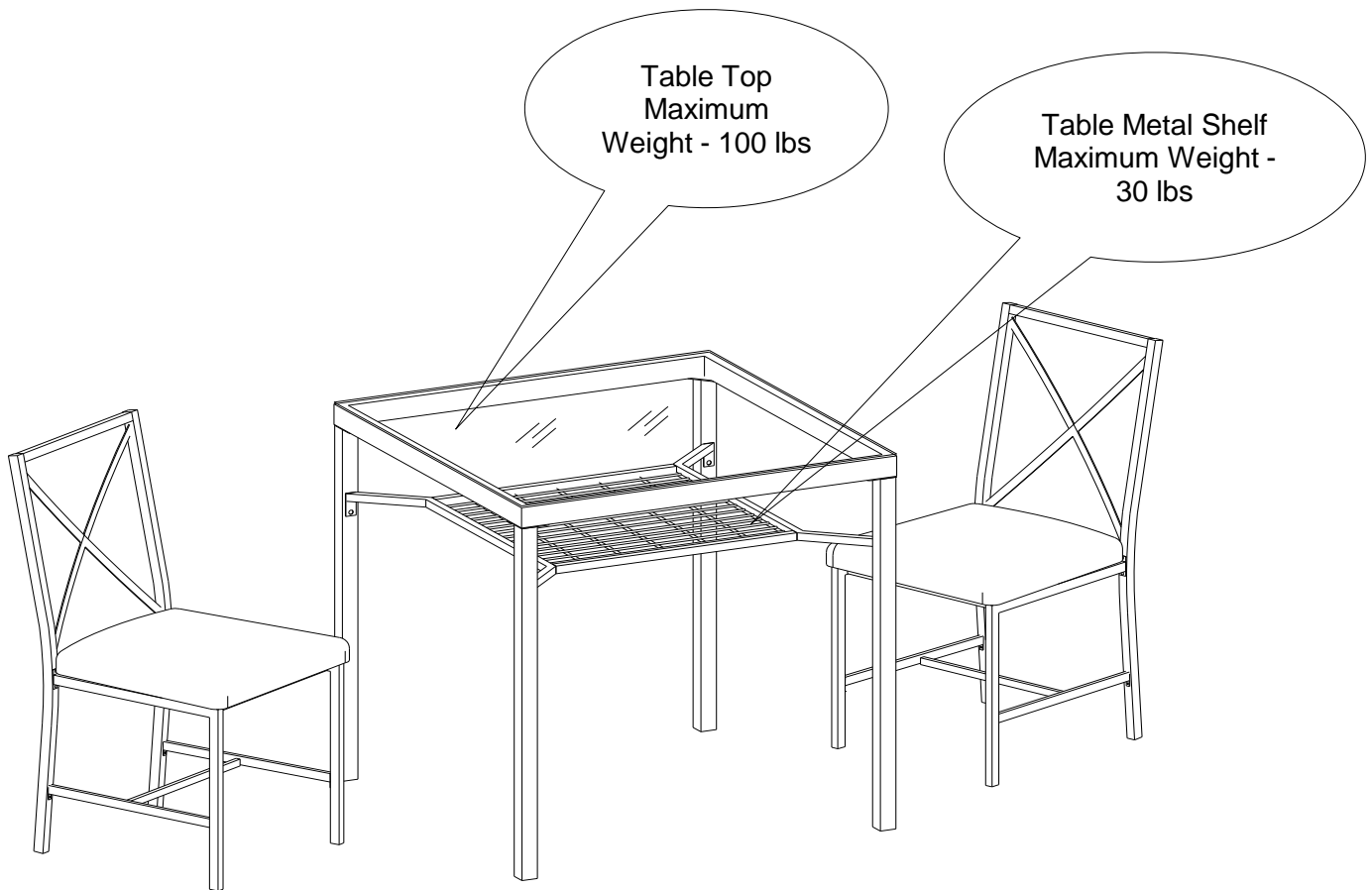
STEP 6

Insert the rubber pads (4) into the holes on the table frame (J) as shown below. With the help of another person, gently place the glass top (F) on top of the rubber pads (4).



3-Pc Metal & Glass Dinette DA7402

! **CAUTION:** This unit is intended for use only with the products and/or maximum weights indicated. Use with other products and/or products heavier than the maximum weights indicated may result in instability or cause possible injury.



That's it ! You've finished assembling your dining set.

DO NOT RETURN PRODUCT TO THE STORE.
If a part is missing or damaged, contact our customer service department. We will replace the part **FREE** of charge.



Tel #: 1-800-295-1980
E-Mail: das@dorel.com
Fax #: 514-353-7819

MODEL #: DA7402

Customer Service

PLEASE DO NOT RETURN THIS PRODUCT TO THE STORE

PLEASE CONTACT CUSTOMER SERVICE REPRESENTATIVES AT THE FOLLOWING NUMBERS SHOULD THERE BE ANY MISSING OR DEFECTIVE PART(S).

Customer Service Phone Number 1-800-295-1980

Customer Service Fax Number 514-353-7819

Email: das@dorel.com

Request Date:

Name:

Shipping Address:

Street & Number:

City & State:

Zip Code:

Day Time Phone Number:
(including area code)

Date & Place of Purchase:

Part(s) description and quantity: (Please be sure to list model number or SKN number)

Customer Service Representative Mailing Address:

Customer Service Department No. 413, 12345 Albert-Hudon Boulevard, Suite 100, Montreal, QC, Canada, H1G 3L1