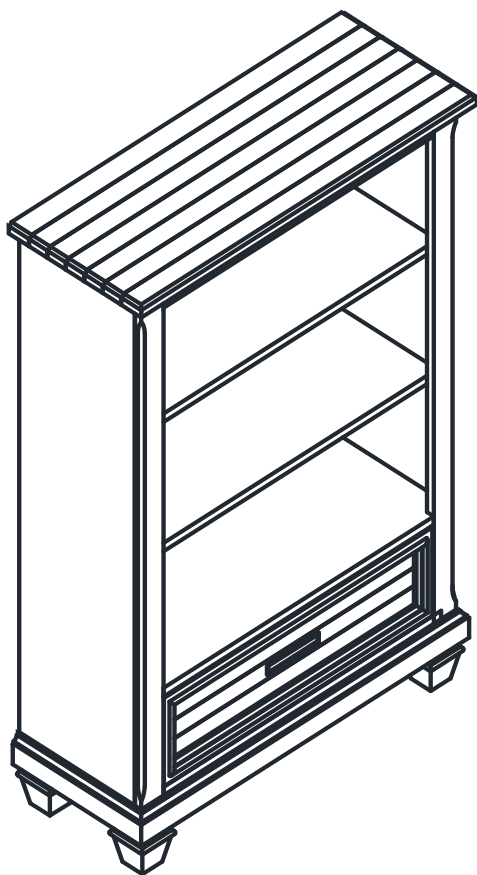


INSTRUCTION MANUAL

bertini®

NASHVILLE KNOX BOOKCASE



Model No:

BR1519-3 (Rustic Gray)

UPC CODE:

0-65857-17292-8

NOTE:

THIS INSTRUCTION BOOKLET
CONTAINS **IMPORTANT** SAFETY
INFORMATION. PLEASE READ AND
KEEP FOR FUTURE REFERENCE.

Lot number:

(TAKEN FROM CARTON)

Date of purchase:

____ / ____ / ____

www.bertinibaby.com

Contact Customer Service with any
questions.



1-800-295-1980
das@dorel.com
Fax #: 514-353-7819

CUSTOMER SERVICE

If you have any questions about this product, contact our customer service representative first!



CALL 1-800-295-1980

**Customer Service Department No. 413
12345 Albert-Hudon Boulevard, Suite 100
Montreal, Quebec
Canada H1G 3L1
E-MAIL: das@dorel.com**

NOTES:

- * Do not use the unit if it is damaged or broken.
- * Handling will require two people.

CARE AND CLEANING

Dust regularly with a soft, lint-free cloth to prevent soil build-up. A damp cloth may be used occasionally to clean surface. Dry immediately. Do not use any abrasives that may damage finish. Excessive exposure to sunlight and extreme changes in temperature and moisture can damage wood furniture.

MAINTENANCE

Check bolts/screws periodically and tighten them if necessary.

LIMITED WARRANTY

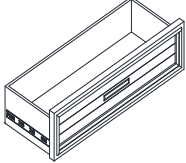
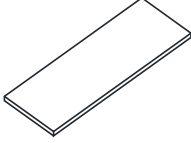


Dorel warrants its product to be free from defects in material and workmanship and agrees to remedy any such defect. This warranty covers 1 year from the date of original purchase. This warranty is valid only upon presentation of proof of purchase. This is solely limited to the repair or replacement of defective furniture components and no assembly labor is included. This warranty does not apply to any product which has been improperly assembled, subjected to misuse or abuse or which has been altered or repaired in any way. This warranty gives you specific legal rights and you may also have other rights which vary from State to State.



WARNING: Should this product become damaged, and/or components are broken or missing, DO NOT USE.

NASHVILLE KNOX BOOKCASE BR1519-3

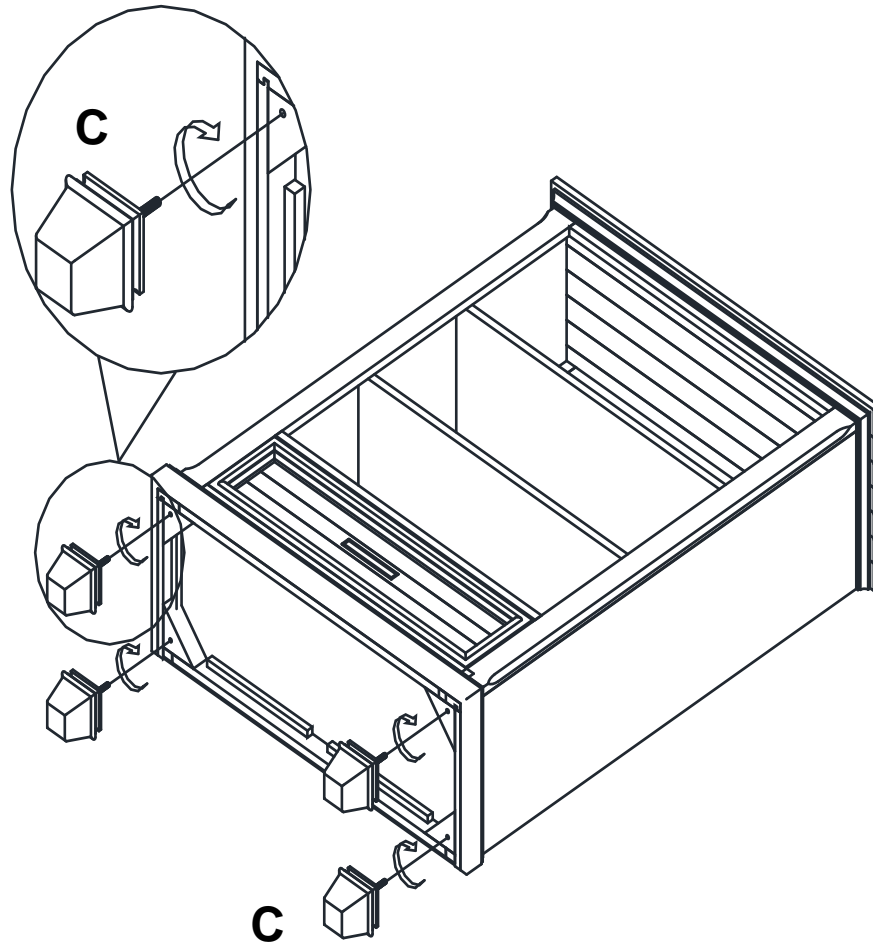
PARTS LIST

| NO. | Drawing | Description | Q'ty |
|-----|--|------------------|-------|
| A |  | Drawer | 1 PC |
| B |  | Shelf | 2 PCS |
| C |  | Foot | 4 PCS |
| D |  | Safety Strap kit | 1 KIT |

NASHVILLE KNOX BOOKCASE BR1519-3

Step 1:

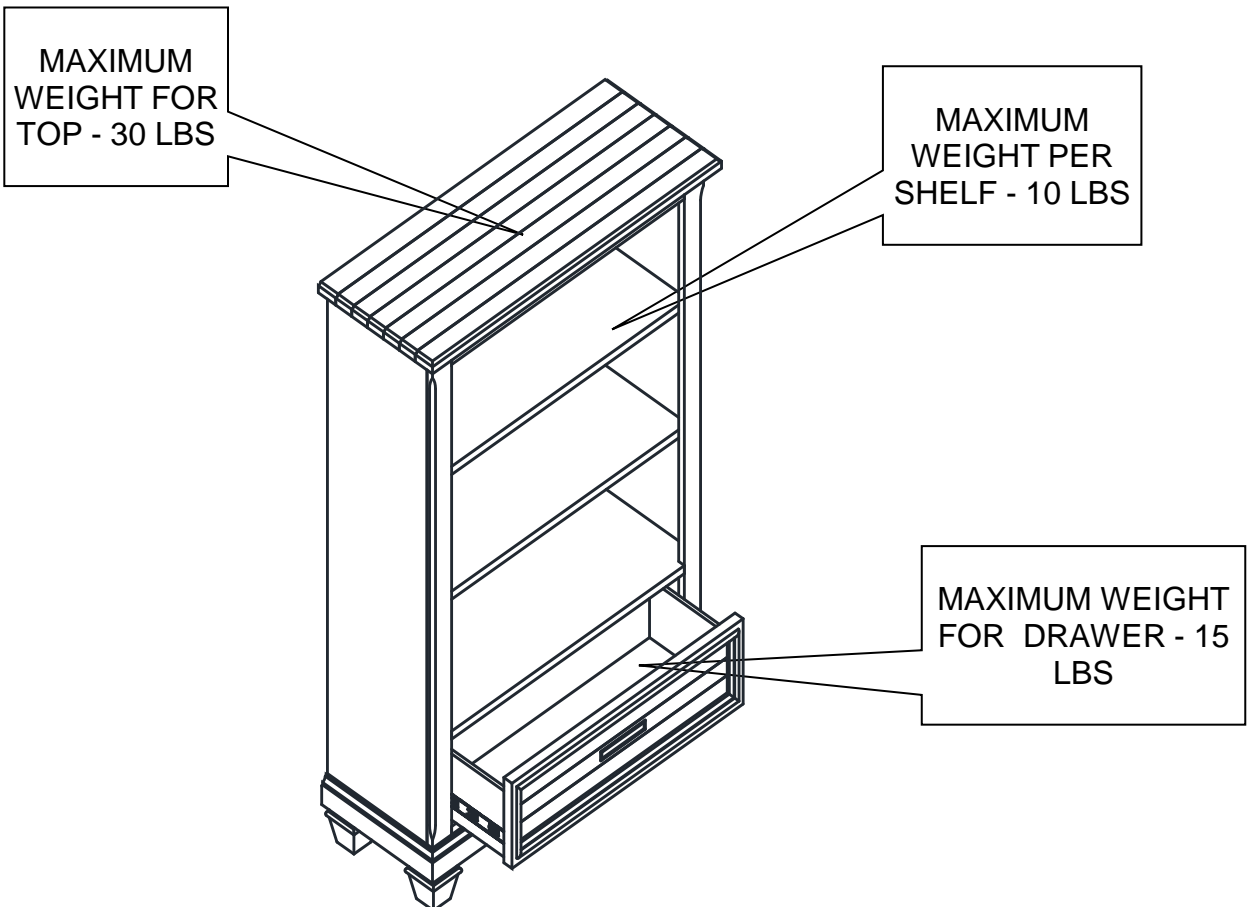
Attach feet (C) to the bookcase by rotating the feet clockwise.



NASHVILLE KNOX BOOKCASE BR1519-3



CAUTION: This unit is intended for use only with the products and/or maximum weights indicated. Use with other products and/or products heavier than the maximum weights indicated may result in instability or cause possible injury.



**Contact Customer Service with
any questions.**







1-800-295-1980

das@dorel.com

Fax #: 514-353-7819

Furniture Wall Safety Strap

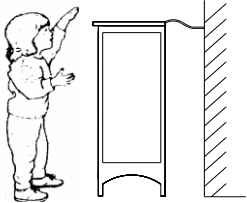
Hardware List

| | | | | | | | |
|-----------------|---|---------------------|---|------------------|---|------------------------|---|
| A |  | B |  | C |  | D |  |
| LONG SCREW 1 PC | | METAL BRACKET 2 PCS | | SHORT SCREW 1 PC | | SAFETY WALL STRAP 1 PC | |

TOOLS NECESSARY: RUBBER Mallet AND PHILLIPS SCREW DRIVER ARE NOT INCLUDED.

NOTE: 5/16" DRILL BIT AND ELECTRIC DRILL ARE NOT PROVIDED.

⚠ WARNING: WHEN UPRIGHT, IT IS POSSIBLE THAT THE FURNITURE MAY TIP OVER. PLEASE INSTALL THE SAFETY WALL STRAP BEHIND THE FURNITURE TO ENSURE SAFETY.

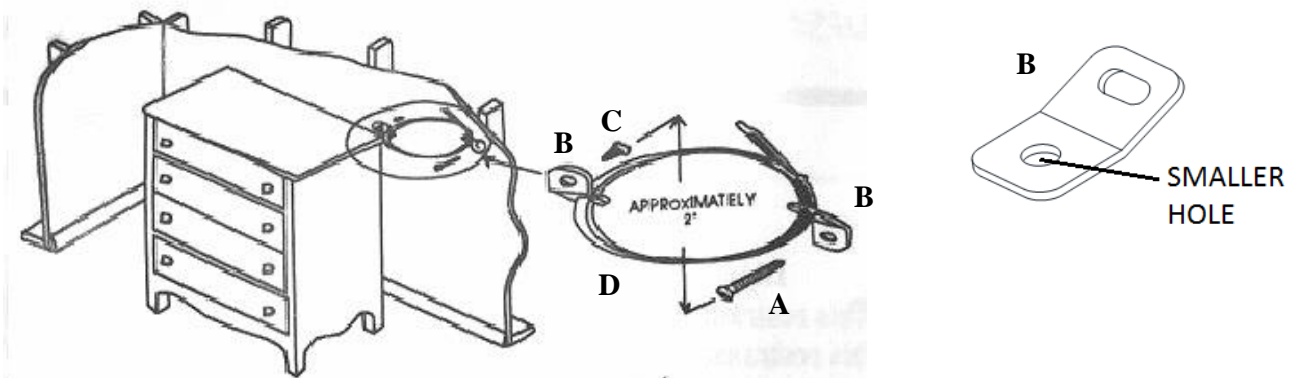


PLEASE READ ALL INSTRUCTIONS CAREFULLY BEFORE USING THIS PRODUCT AND KEEP THESE INSTRUCTIONS FOR FUTURE REFERENCE. IF YOU HAVE ANY QUESTIONS, PLEASE CALL OUR CUSTOMER SERVICE NUMBER: 1-800-295-1980.

STEP 1: ATTACH A METAL BRACKET (B) SECURELY TO THE BACK TOP RAIL OF FURNITURE USING THE SHORT SCREW (C), THROUGH THE SMALLER HOLE.

STEP 2: LOCATE THE OTHER METAL BRACKET (B) ON THE WALL OVER A WALL STUD AND 2 INCHES BELOW THE MOUNTING BRACKET SECURED TO THE BACK OF YOUR UNIT. ATTACH TO THE WALL STUD USING THE LONG SCREW (A) PROVIDED, THROUGH THE SMALLER HOLE.

STEP 3: PLACE THE FURNITURE INTO POSITION SO BOTH MOUNTING BRACKETS ARE VERTICALLY IN LINE. LACE THE END OF THE SAFETY WALL STRAP (D) THROUGH THE LARGER HOLE IN EACH MOUNTING BRACKET (B). BRING BOTH ENDS TOGETHER AND SLIDE THE FLAT END THROUGH THE LOCKING END AND DRAW IT THROUGH UNTIL ALL SLACK IS REMOVED.



STEP 4: CONFIRM THAT THE STRAP IS SECURELY LACED AND LOCKED.

TO MOVE THE FURNITURE AFTER THE SAFETY WALL STRAP HAS BEEN INSTALLED, SIMPLY REMOVE THE SCREW (A) FROM THE WALL TO LOOSEN THE SAFETY WALL STRAP.



Customer Service

PLEASE DO NOT RETURN THIS PRODUCT TO THE STORE

PLEASE CONTACT CUSTOMER SERVICE REPRESENTATIVES AT THE FOLLOWING NUMBERS SHOULD YOU HAVE ANY QUESTIONS.

Customer Service Phone Number 1-800-295-1980

Email: das@dorel.com

Customer Service Fax Number 514-353-7819

Request Date:

Name:

Shipping Address:

Street & Number:

City & State:

Zip Code:

Day Time Phone Number:
(including area code)

Date & Place of Purchase:

Part(s) description and quantity (Please be sure to list model number or SKN number):

Customer Service Representative Mailing Address:

Customer Service Department No. 413, 12345 Albert-Hudon Boulevard, Suite 100, Montreal, QC, Canada, H1G 3L1