

INSTRUCTION MANUAL



Model No:

DA7608-1SIL (White)

6-Drawer Dresser

UPC CODE:

0-65857-17375-8



NOTE:

THIS INSTRUCTION BOOKLET
CONTAINS **IMPORTANT** SAFETY
INFORMATION. PLEASE READ AND
KEEP FOR FUTURE REFERENCE.

Lot number:

(TAKEN FROM CARTON)

Date of purchase:

____ / ____ / ____

DO NOT RETURN PRODUCT TO THE STORE.

If a part is missing or damaged, contact our customer service department. We will replace the part **FREE** of charge.



Tel #: 1-800-295-1980

E-Mail: das@dorel.com

Fax #: 514-353-7819

CUSTOMER SERVICE

If you are missing parts or have any questions about this product, contact our customer service representative first!



CALL 1-800-295-1980

You can also order parts by writing to the address listed below. Please include the product model number, color and a detailed description of the part.

**Customer Service Department No. 413
12345 Albert-Hudon Boulevard, Suite 100
Montreal, Quebec
Canada H1G 3L1**

E-MAIL: das@dorel.com

NOTES

- * Ensure all parts and components are present before beginning assembly.
- * Assemble on a soft, smooth surface to prevent damage to the product finish.
- * Use the wall safety strap provided to secure the unit to the wall.
- * A Phillips head screw driver is not included.
- * **DO NOT** use power tools.
- * **CAUTION:** Adult assembly required.
- * Assembly will require two people.
- * To avoid unnecessary damage, when levelers have been extended, **DO NOT** drag across surface when moving. Be sure to lift and carry the item to its location.
- * Estimated assembly time: 60 minutes.

WARNING

Serious or fatal crushing injuries can occur from furniture tipover. To help prevent tipover:

- * Install tipover restraint provided.
- * Place heaviest items in the lower drawers.
- * Unless specifically designed to accommodate, do not set TVs or other heavy objects on top of this product.
- * Never allow children to climb or hang on drawers, doors or shelves.
- * Never open more than one drawer at a time.
- * Do not defeat or remove the drawer interlock system.
- * Use of tipover restraints may only reduce, but not eliminate, the risk of tipover.

CARE AND CLEANING

Dust regularly with a soft, lint-free cloth to prevent soil build-up. A damp cloth may be used occasionally to clean surface. Dry immediately. Do not use any abrasives that may damage finish. Excessive exposure to sunlight and extreme changes in temperature and moisture can damage wood furniture.

MAINTENANCE

Check bolts/screws periodically and tighten them if necessary.

LIMITED WARRANTY

Dorel warrants its product to be free from defects in material and workmanship and agrees to remedy any such defect. This warranty covers 1 year from the date of original purchase. This warranty is valid only upon presentation of proof of purchase. This is solely limited to the repair or replacement of defective furniture components and no assembly labor is included. This warranty does not apply to any product which has been improperly assembled, subjected to misuse or abuse or which has been altered or repaired in any way. This warranty gives you specific legal rights and you may also have other rights which vary from State to State.

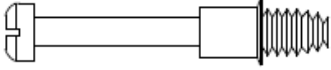
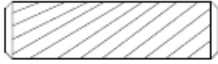

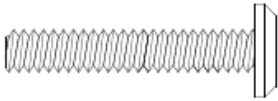
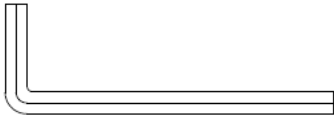


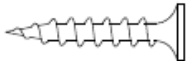
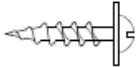

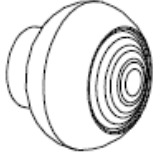
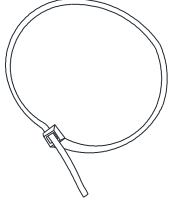


WARNING: Should this product become damaged, and/or components are broken or missing, DO NOT USE.

6-Drawer Dresser

DA7608-1SIL

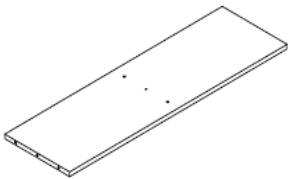
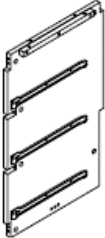
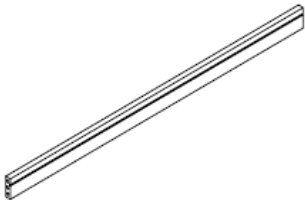
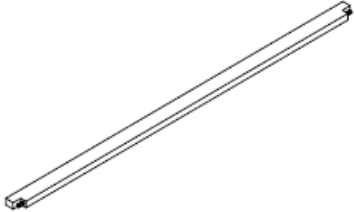
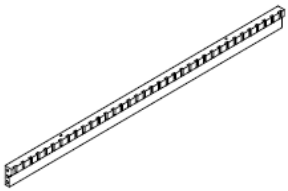
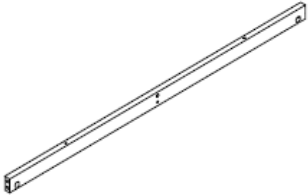
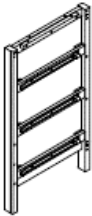
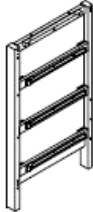
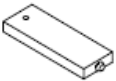
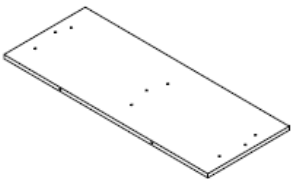
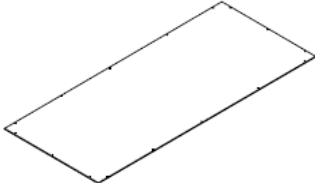
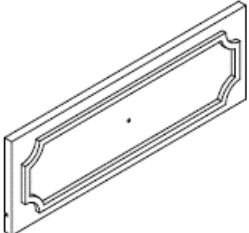
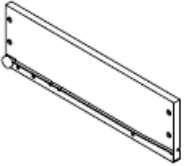
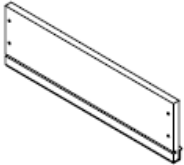
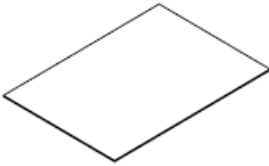
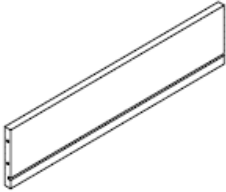
HARDWARE LIST

<p>1</p> 	<p>2</p>  <p>Ø8 X 30mm</p>	<p>3</p> 
<p>CAM BOLT 14 PCS</p>	<p>WOOD DOWEL 31 PCS</p>	<p>CAM LOCK 14 PCS</p>
<p>4</p>  <p>1/4" x 32mm</p>	<p>5</p> 	<p>6</p>  <p>Ø1/4 X 15 X 1.5mm</p>
<p>LONG BOLT 7 PCS</p>	<p>ALLEN KEY 1 PC</p>	<p>FLAT WASHER 6 PCS</p>
<p>7</p>  <p>Ø1/4 X 1mm</p>	<p>8</p>  <p>Ø4 X 25mm</p>	<p>9</p>  <p>Ø3 X 15mm</p>
<p>SPRING WASHER 6 PCS</p>	<p>SCREW 52 PCS</p>	<p>SCREW 16 PCS</p>
<p>10</p>  <p>Ø5/32" x 32mm</p>	<p>11</p> 	<p>12</p> 
<p>SHORT BOLT 6 PCS</p>	<p>KNOB 6 PCS</p>	<p>SAFETY STRAP 1 KIT</p>

6-Drawer Dresser

DA7608-1SIL

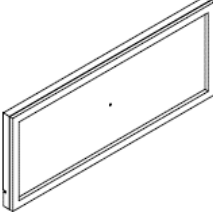
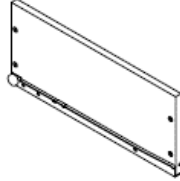
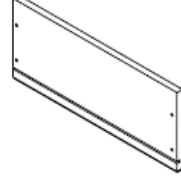
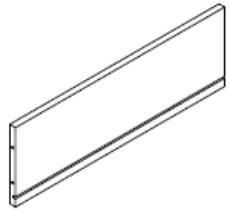
PARTS LIST

<p>A</p> 	<p>B</p> 	<p>C</p> 	<p>D</p> 
<p>BACK BOTTOM PANEL 1 PC</p>	<p>MIDDLE PANEL 1 PC</p>	<p>FRONT BOTTOM RAIL 1 PC</p>	<p>FRONT MIDDLE RAIL 2 PCS</p>
<p>E</p> 	<p>F</p> 	<p>G</p> 	<p>H</p> 
<p>FRONT TOP RAIL 1 PC</p>	<p>BACK TOP RAIL 1 PC</p>	<p>RIGHT SIDE PANEL 1 PC</p>	<p>LEFT SIDE PANEL 1 PC</p>
<p>I</p> 	<p>J</p> 	<p>K</p> 	<p>L</p> 
<p>SUPPORT LEG 1 PC</p>	<p>TOP PANEL 1 PC</p>	<p>BACK TOP PANEL 1 PC</p>	<p>TOP DRAWER FRONT 2 PCS</p>
<p>M</p> 	<p>N</p> 	<p>O</p> 	<p>P</p> 
<p>TOP DRAWER LEFT SIDE 2 PCS</p>	<p>TOP DRAWER RIGHT SIDE 2 PCS</p>	<p>DRAWER BOTTOM 6 PCS</p>	<p>TOP DRAWER BACK 2 PCS</p>

6-Drawer Dresser

DA7608-1SIL

PARTS LIST

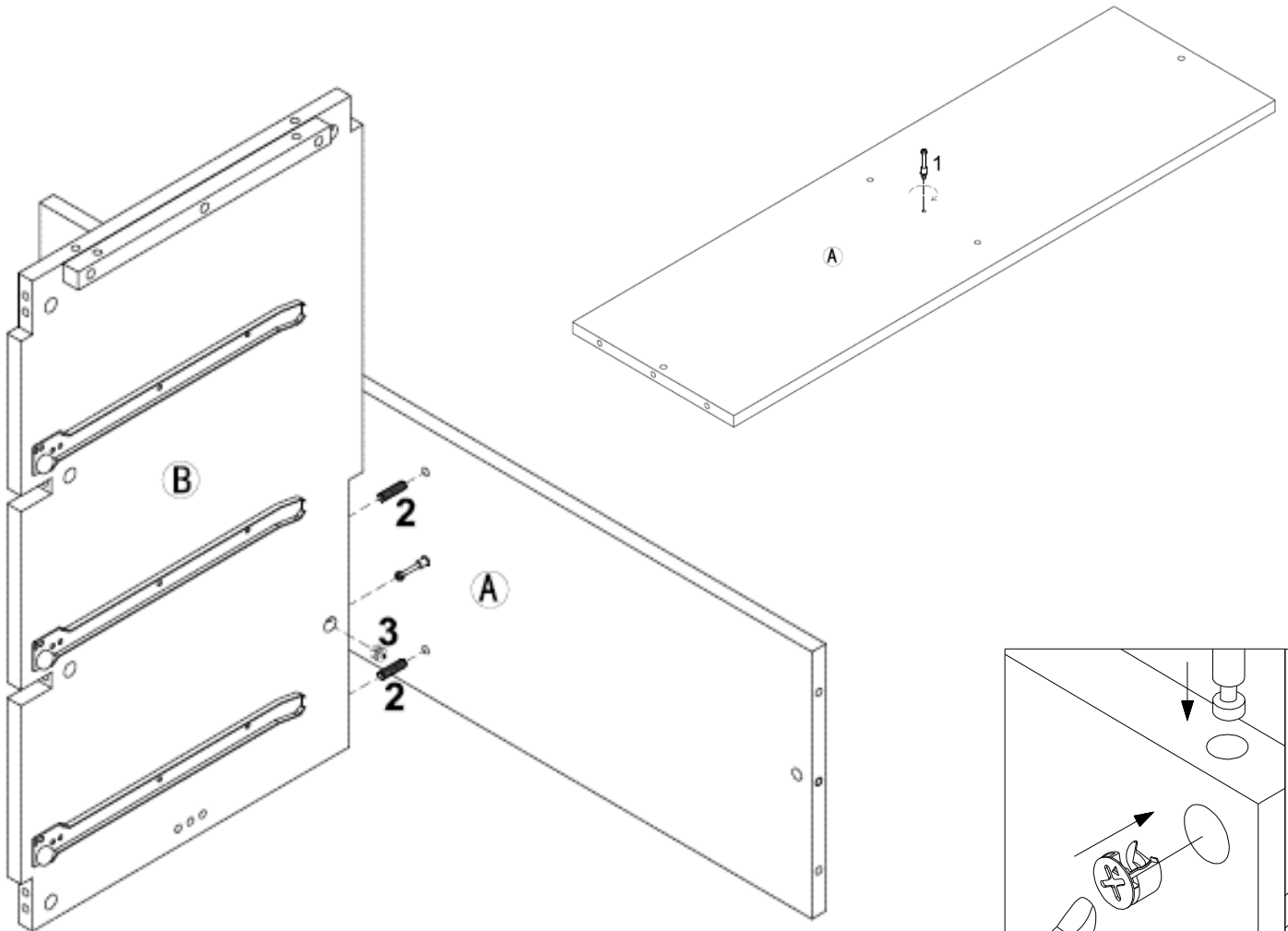
Q 	R 	S 	T 
BOTTOM DRAWER FRONT - 4 PCS	BOTTOM DRAWER LEFT SIDE- 4 PCS	BOTTOM DRAWER RIGHT SIDE- 4 PCS	BOTTOM DRAWER BACK- 4 PCS

6-Drawer Dresser

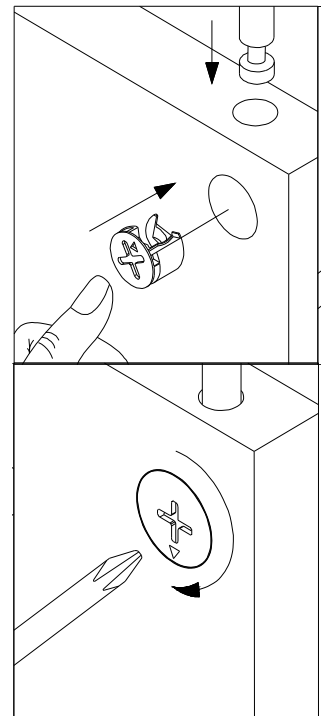
DA7608-1SIL

STEP 1

Insert cam bolt (1) into the back bottom panel (A) as shown.
Insert cam locks (3) into the bottom middle panel (B).
Attach bottom middle panel (B) to back bottom panel (A) with wood dowels (2) as shown. Secure the bottom middle panel (B) by rotating the cam lock (3) 1/2 turn clockwise using a Phillips head screwdriver (not included).



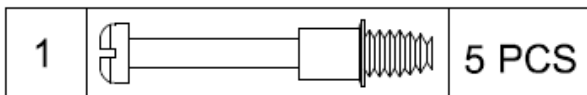
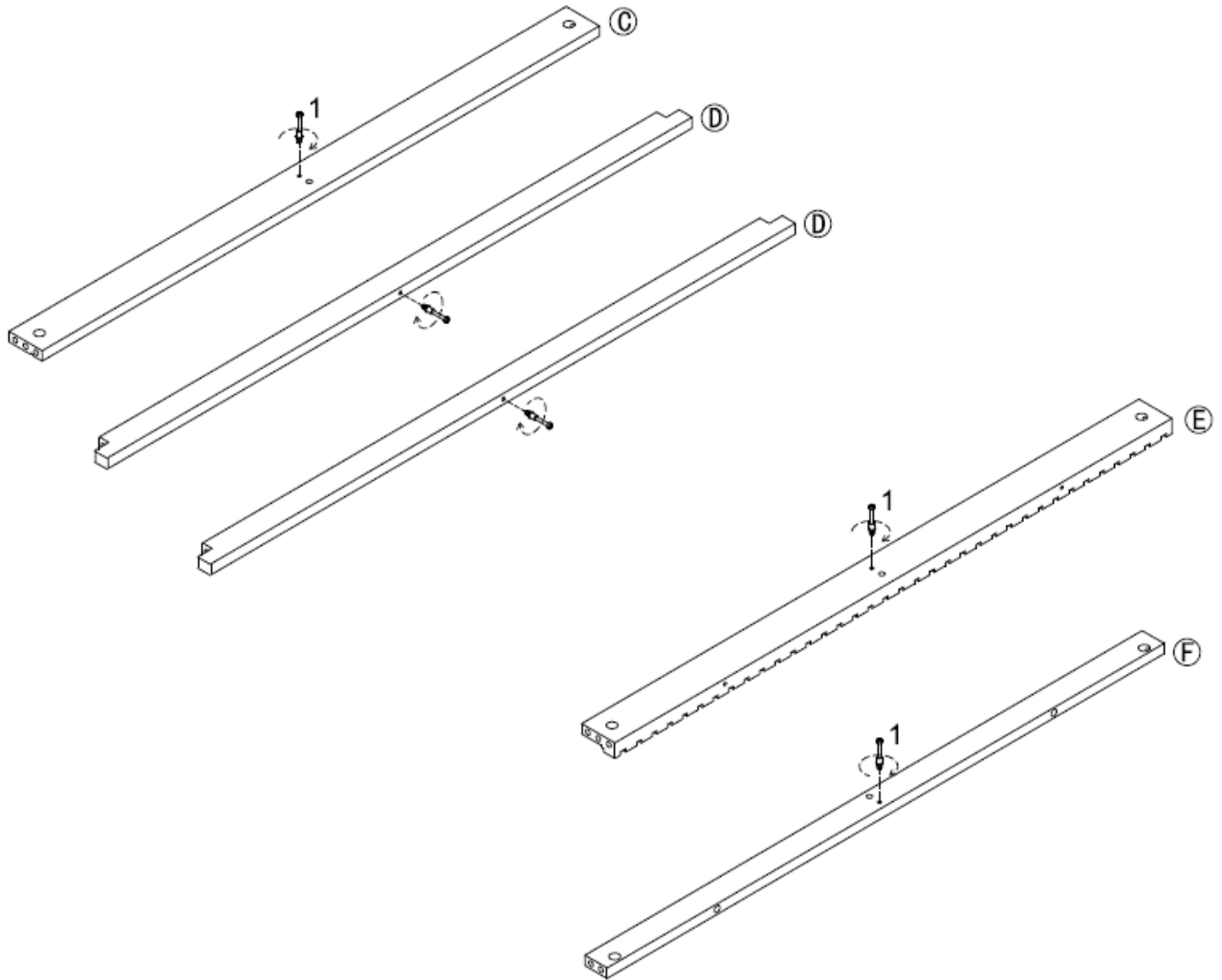
1		1 PC
2		2 PCS
3		1 PC



6-Drawer Dresser DA7608-1SIL

STEP 2

Insert cam bolts (1) into front bottom rail (C), front middle rails (D), front top rail (E) and back top rail (F) as shown.

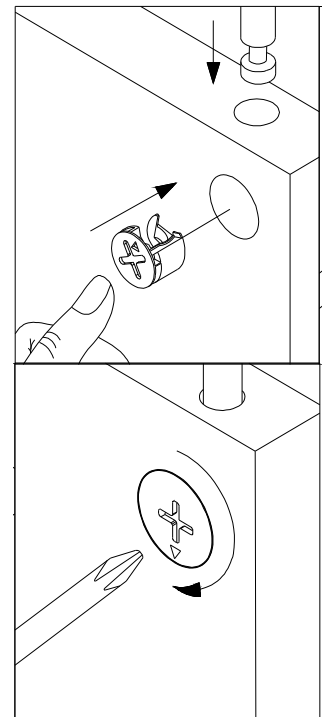
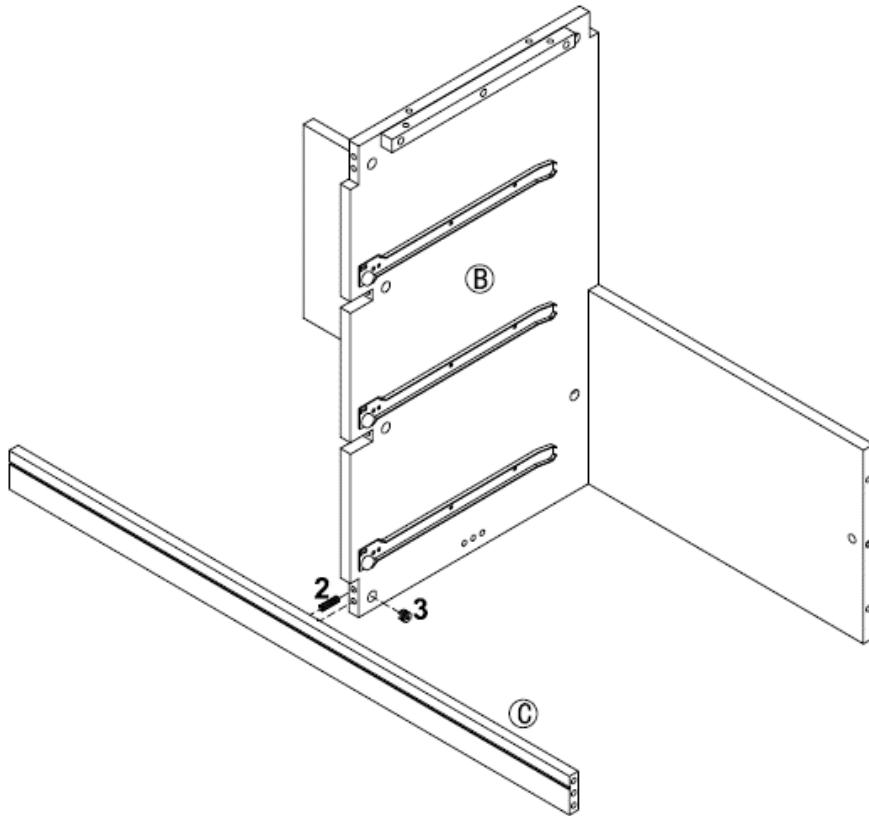


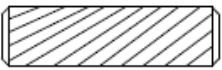

6-Drawer Dresser DA7608-1SIL

STEP 3

Insert cam lock (3) into the middle panel (B) as shown.

Attach front bottom rail (C) to the middle panel (B) with wood dowel (2) as shown. Secure the rail by rotating the cam lock (3) on middle panel (B) 1/2 turn clockwise using a Phillips head screwdriver (not included).

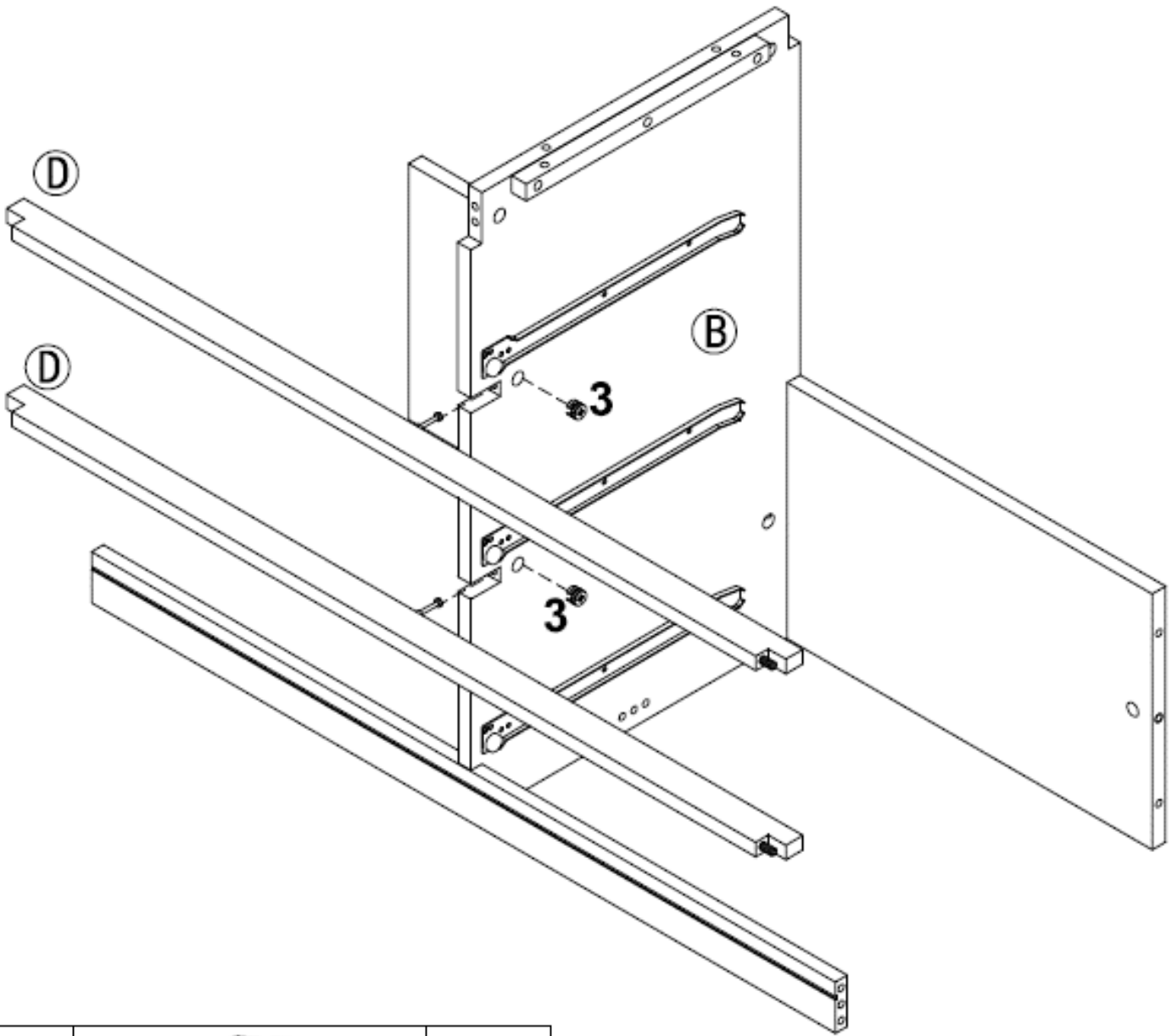


2		1 PC
3		1 PC

6-Drawer Dresser DA7608-1SIL

STEP 4

Insert cam locks (3) into the middle panel (B) as shown.
Attach front middle rails (D) to the middle panel (B) by rotating the cam lock (3) on middle panel (B) 1/2 turn clockwise using a Phillips head screwdriver (not included).

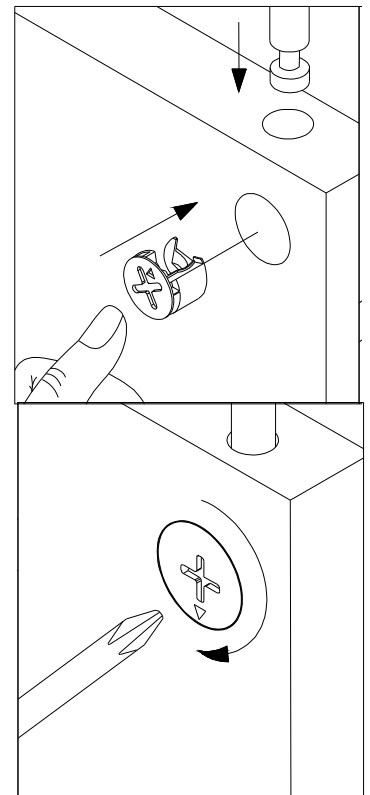
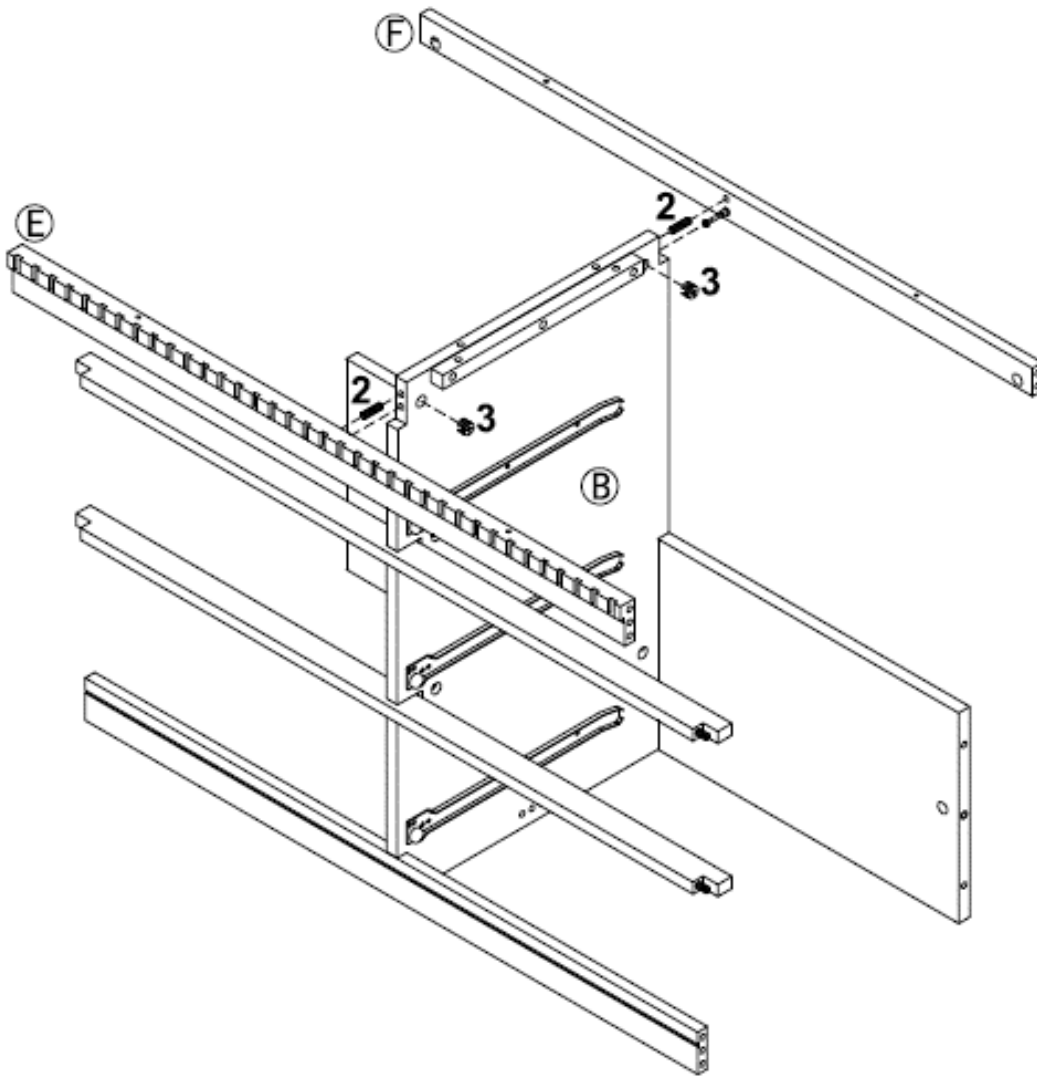


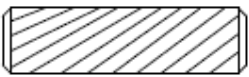

3		2 PCS
---	--	-------

6-Drawer Dresser DA7608-1SIL

STEP 5

Insert cam locks (3) and wood dowels (2) into the middle panel (B) as shown. Attach front and back top rails (E & F) to the middle panel (B) by rotating the cam locks (3) on middle panel (B) 1/2 turn clockwise using a Phillips head screwdriver (not

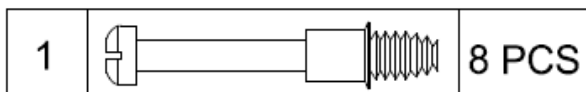
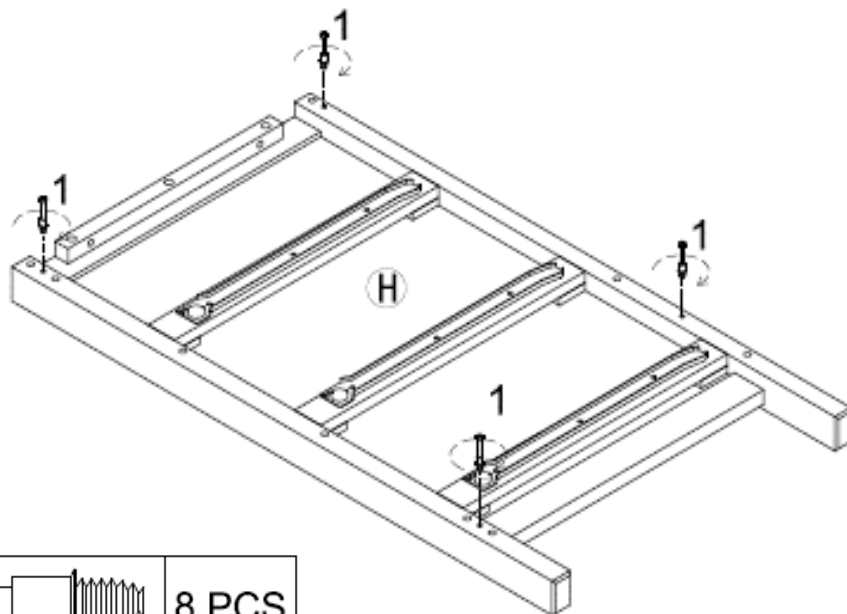
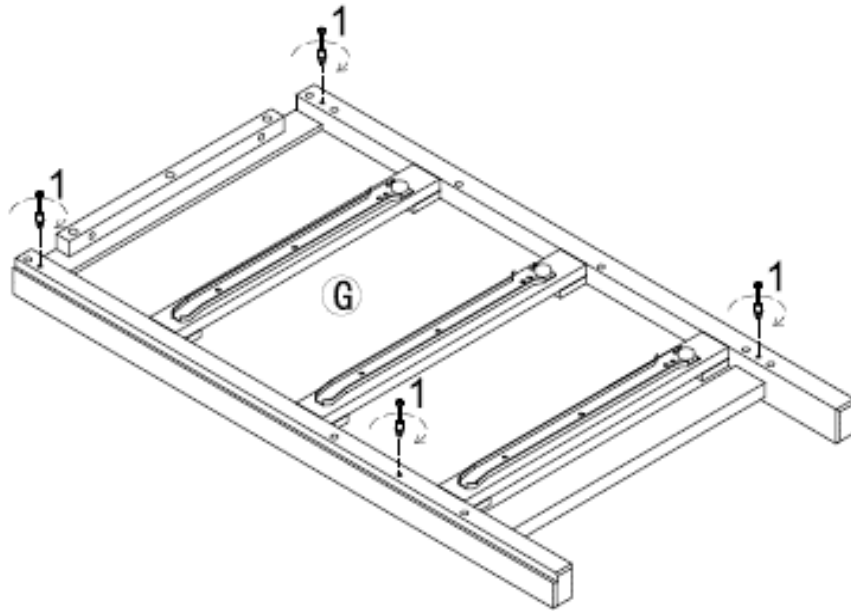


2		2 PCS
3		2 PCS

6-Drawer Dresser DA7608-1SIL

STEP 6

Insert cam bolts (1) into the right & left side panels (G & H) as shown.



6-Drawer Dresser

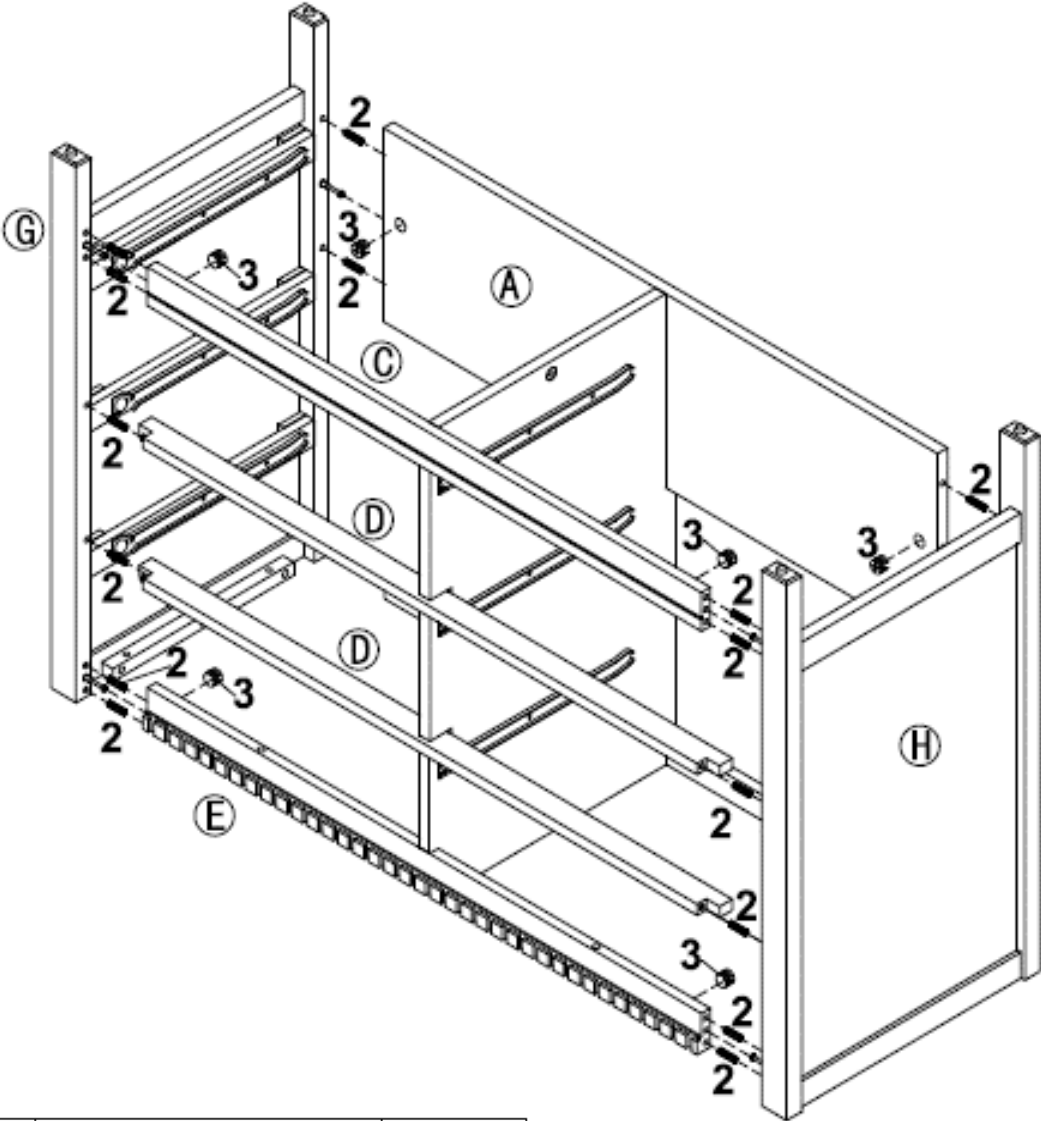
DA7608-1SIL

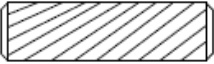

STEP 7

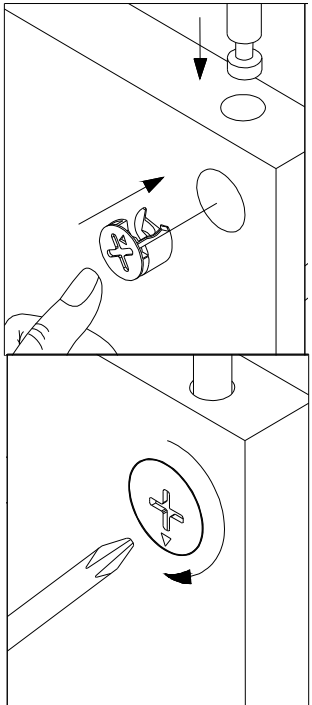
Insert wood dowels (2) and cam locks (3) into the side panels (G and H), front top and bottom rails (C and E) and back bottom panel (A) as shown.

Attach side panels (G & H) to the assembled unit.

Secure side panels (G & H) to the assembled unit by rotating the cam locks (3) 1/2 turn clockwise using a Phillips head screwdriver (not included).



2		18 PCS
3		8 PCS



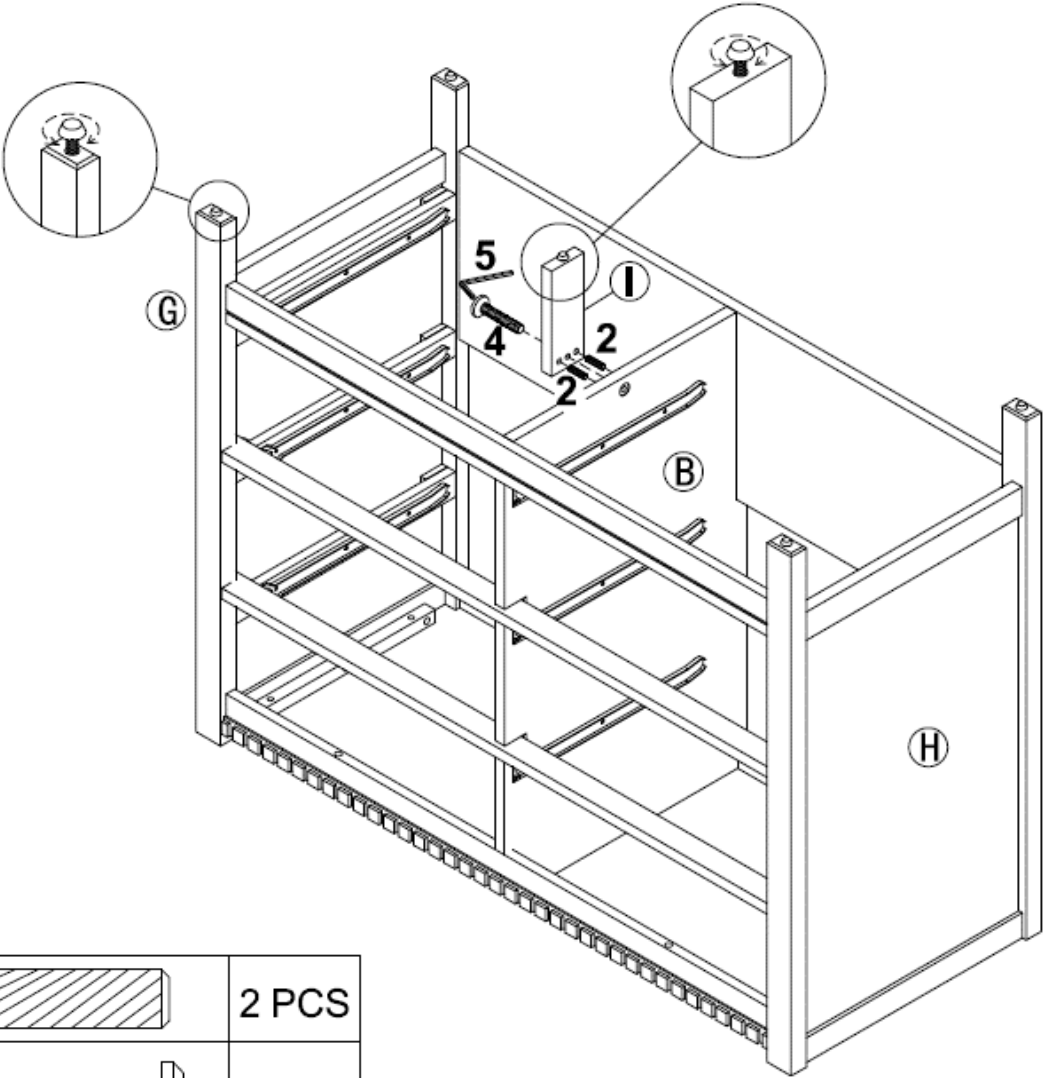
6-Drawer Dresser

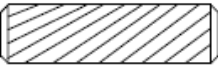

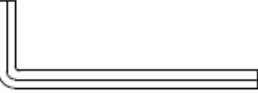
DA7608-1SIL

STEP 8

Attach support leg (I) to the middle panel (B) with long bolt (4) and wood dowels (2) as shown. Use Allen key (5) to tighten the bolts.

NOTE- The support leg (I) and side panels (G & H) are equipped with adjustable levelers. Once assembly is complete and the unit is in the desired location, rotate the adjustable levelers clockwise or counterclockwise until it rests evenly on the floor.



2		2 PCS
4		1 PC
5		

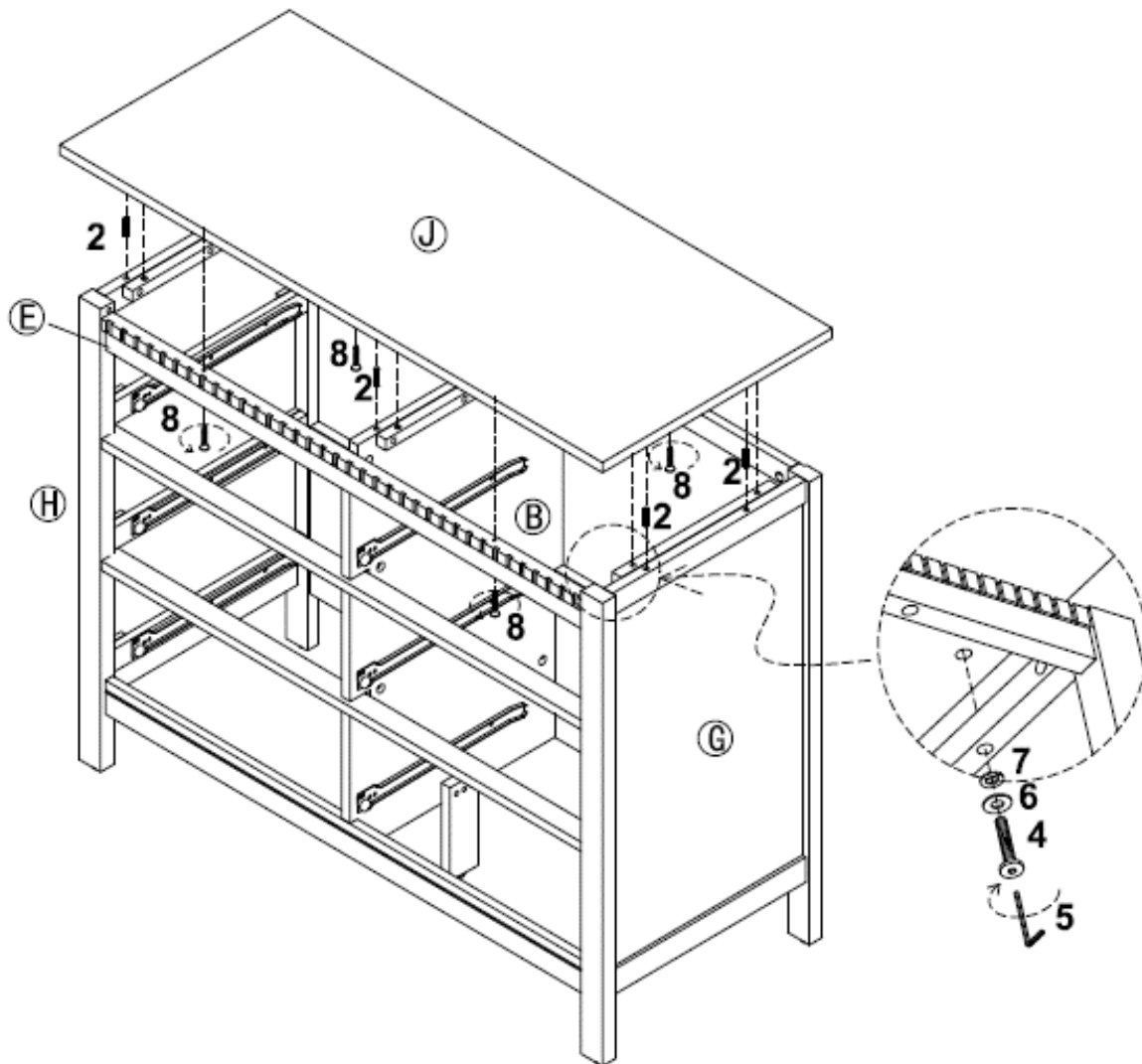
6-Drawer Dresser DA7608-1SIL




STEP 9


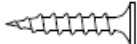

Insert wood dowels (2) into the side and middle panels (B, G & H) as shown.

Place top panel (J) on the assembled unit.

Secure top panel (J) to the assembled unit with screws (8), long bolts (4), flat washers (6), spring washers (7) and Allen key (5). Use a Phillips head screwdriver (not included) to tighten the screws (8).



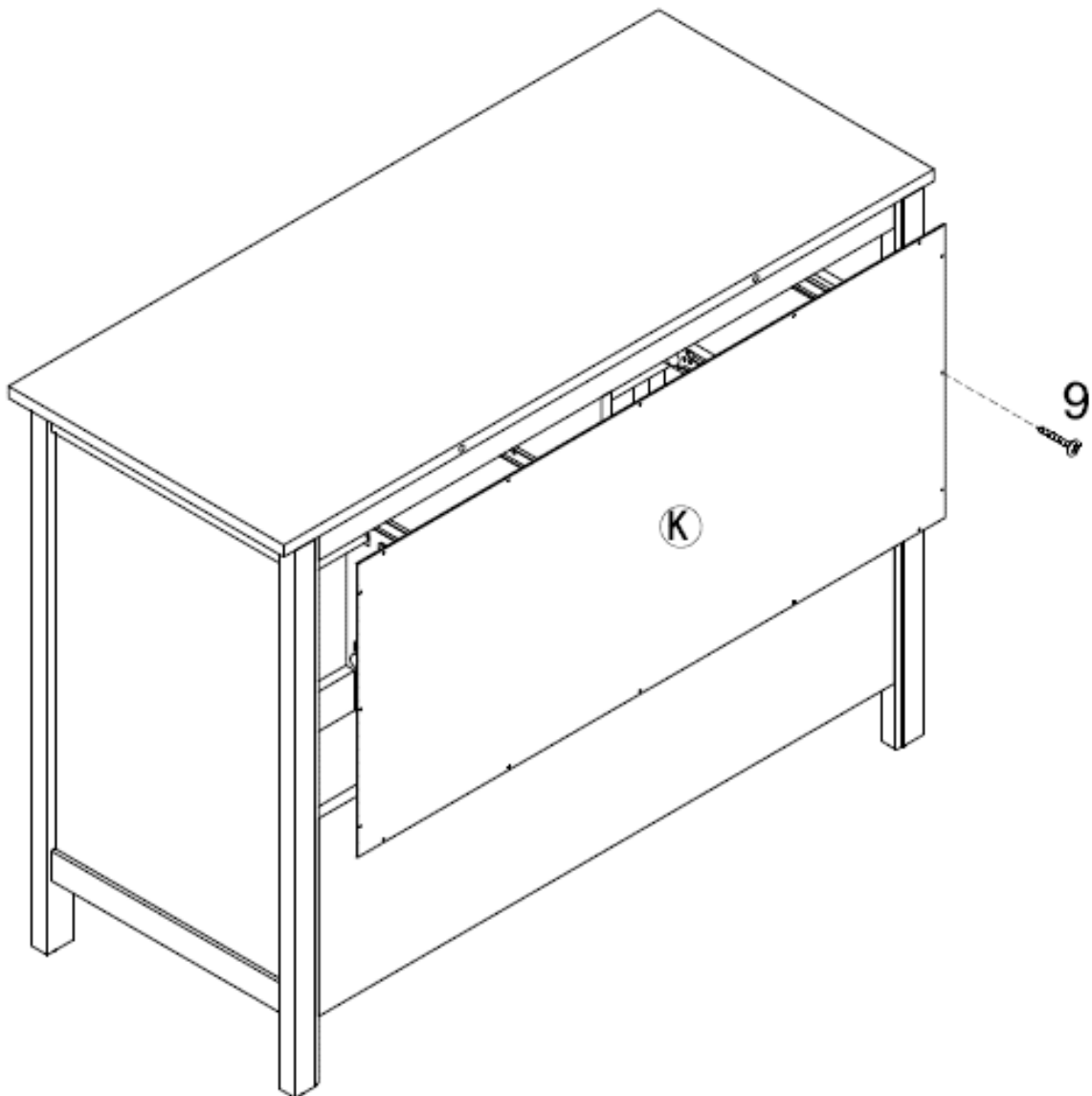
2		6 PCS
4		6 PCS
6		6 PCS

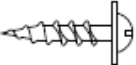
7		6 PCS
8		4 PCS
5		

6-Drawer Dresser DA7608-1SIL

STEP 10

Attach back top panel (K) to the assembled unit with screws (9) as shown.
Use a Phillips head screwdriver (not included) to tighten the screws.



9		16 PCS
---	---	--------

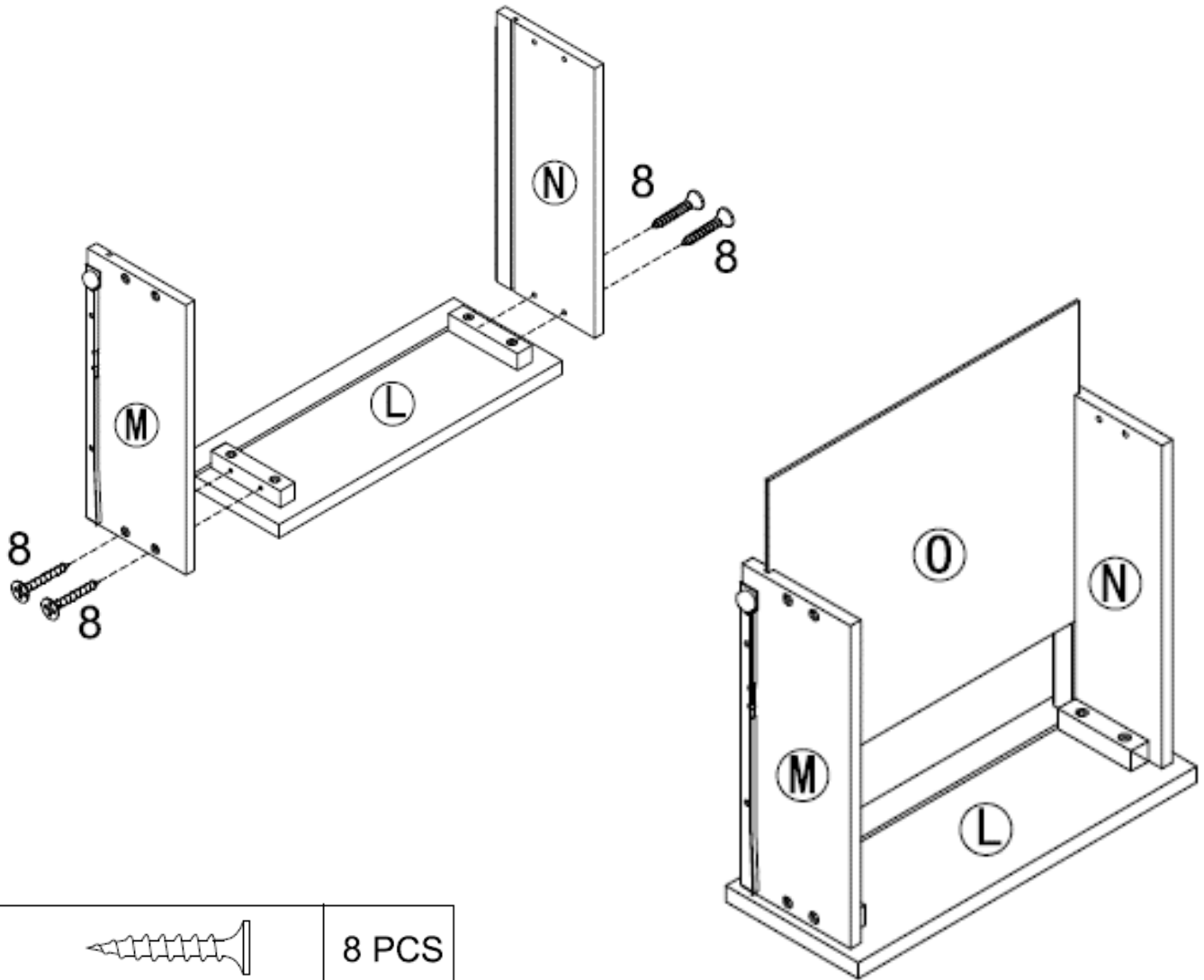
6-Drawer Dresser

DA7608-1SIL

STEP 11

Attach top drawer left and right sides (M & N) to top drawer front (L). Secure the drawer sides using a Phillips head screwdriver (not included).

Slide the drawer bottom (O) into the grooves of top drawer left and right sides (M & N) and top drawer front (L).



6-Drawer Dresser

DA7608-1SIL

STEP 12

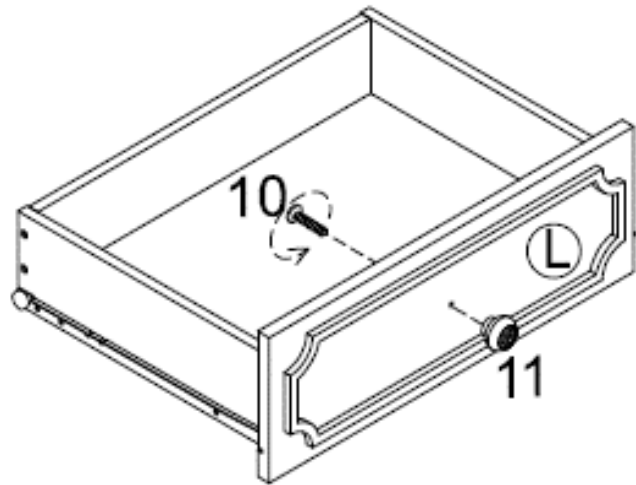
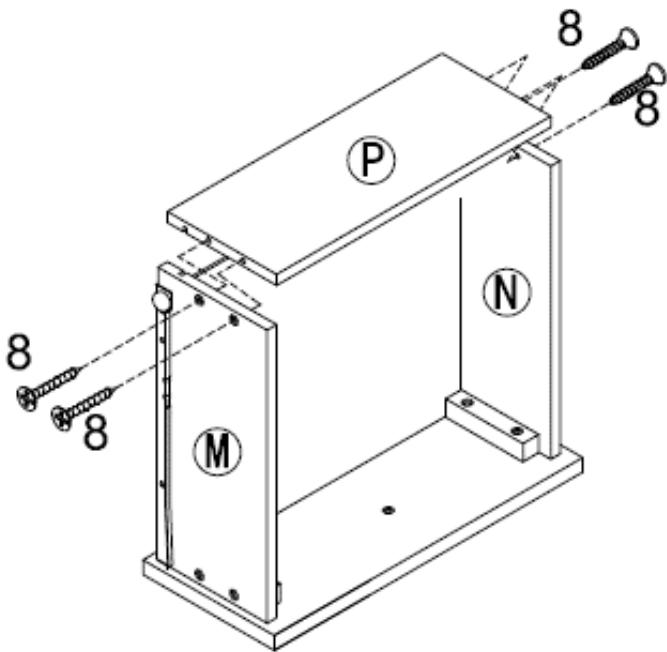
Attach top drawer back (P) to the drawer sides (M & N) with screws (8).

Use a Phillips head screwdriver (not included) to tighten the screws.

Attach knob (11) to the drawer front (L) with bolt (10).

Use a Phillips head screwdriver (not included) to tighten the bolt.

Repeat steps 11 and 12 to assemble another top drawer.



8		8 PCS
10		2 PCS
11		2 PCS

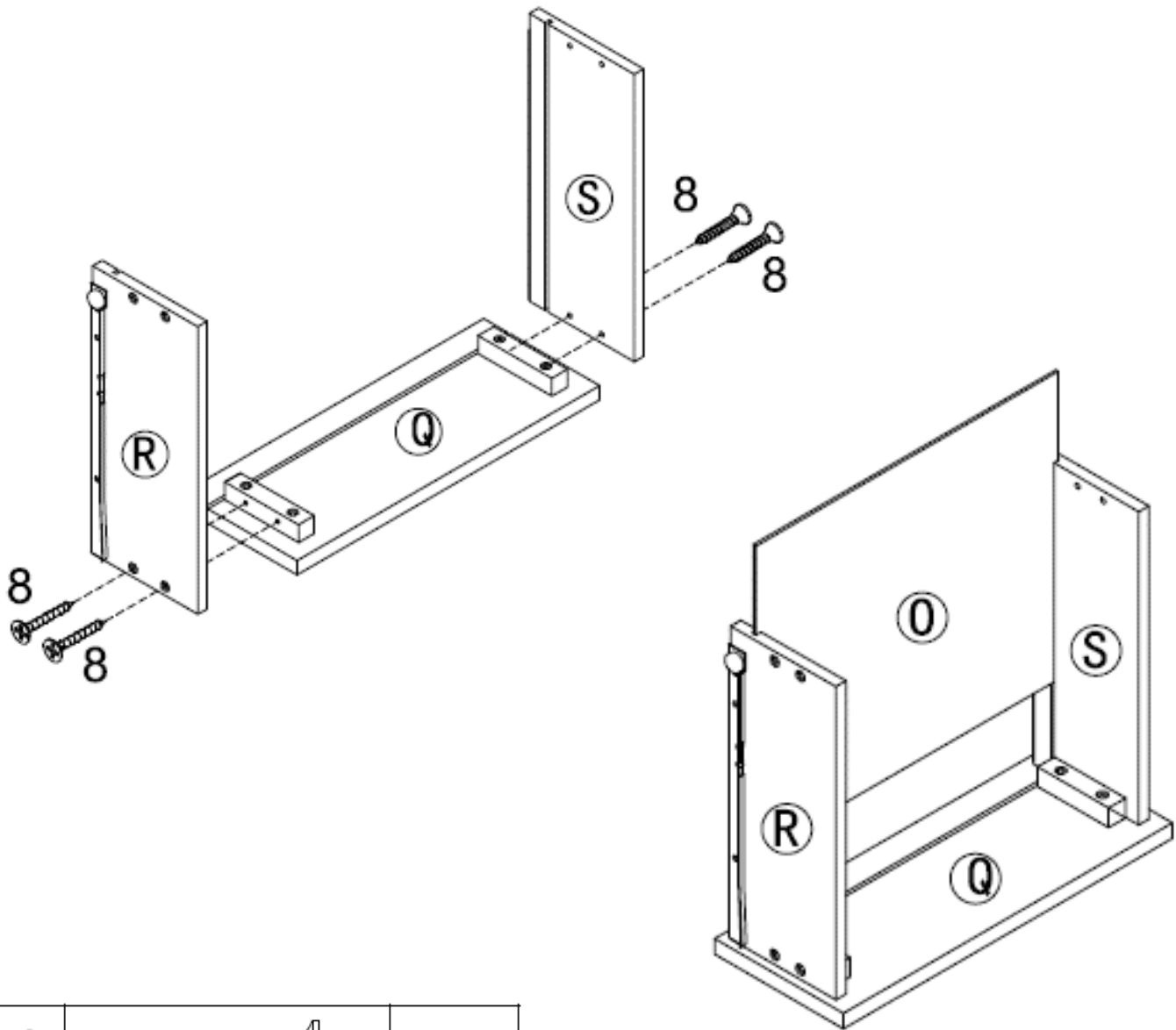
6-Drawer Dresser

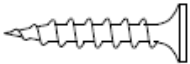
DA7608-1SIL

STEP 13

Attach bottom drawer left and right sides (R & S) to top drawer front (Q). Secure the drawer sides using a Phillips head screwdriver (not included).

Slide the drawer bottom (O) into the grooves of bottom drawer left and right sides (R & S) and



8		16 PCS
---	---	--------

6-Drawer Dresser

DA7608-1SIL

STEP 14

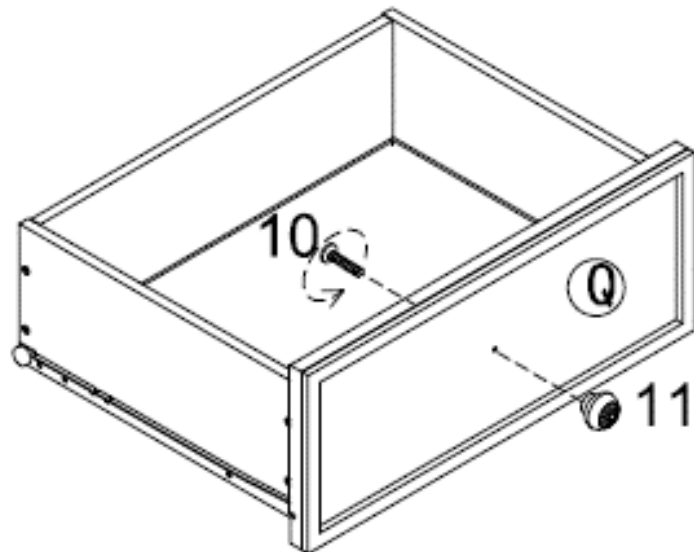
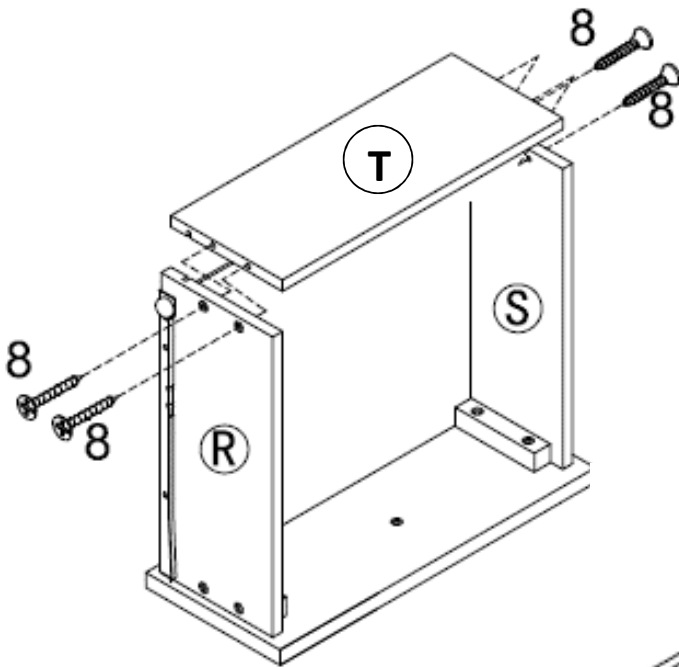
Attach bottom drawer back (T) to the drawer sides (R & S) with screws (8).

Use a Phillips head screwdriver (not included) to tighten the screws.

Attach knob (11) to the drawer front (Q) with bolt (10).

Use a Phillips head screwdriver (not included) to tighten the bolt.

Repeat steps 13 and 14 to assemble the other bottom drawers.



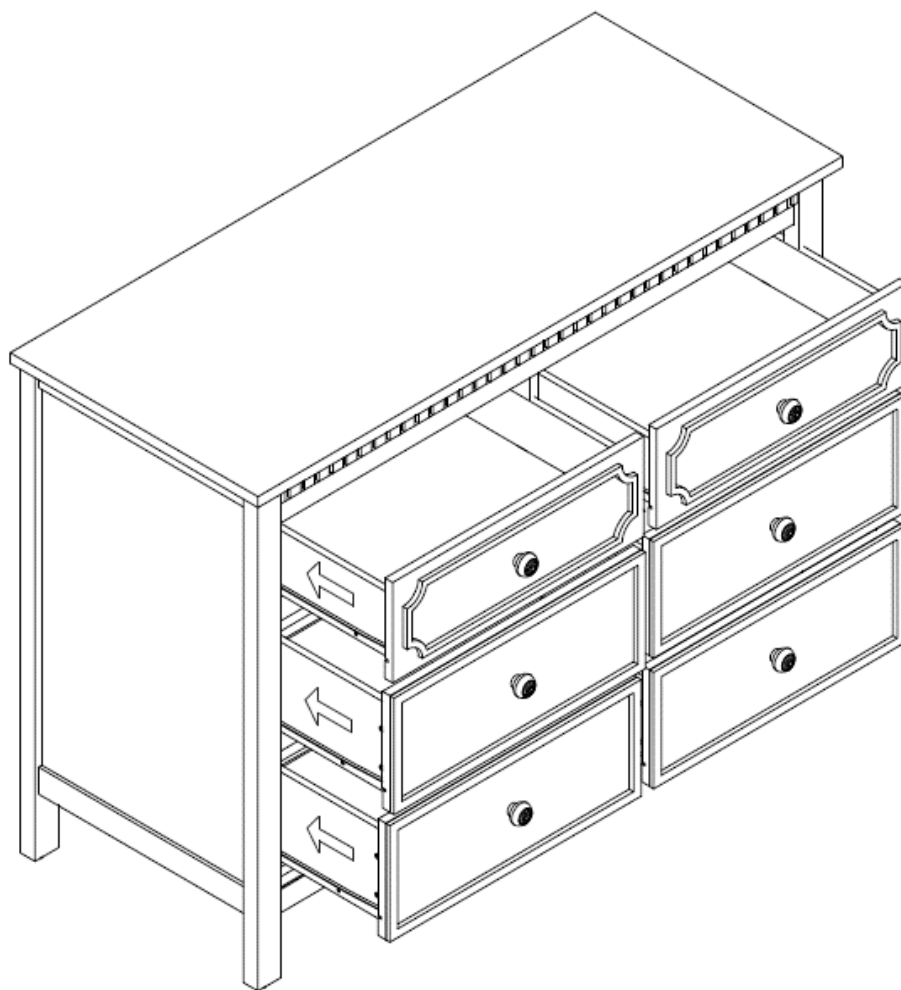
8		16PCS
10		4 PCS
11		4 PCS

6-Drawer Dresser

DA7608-1SIL

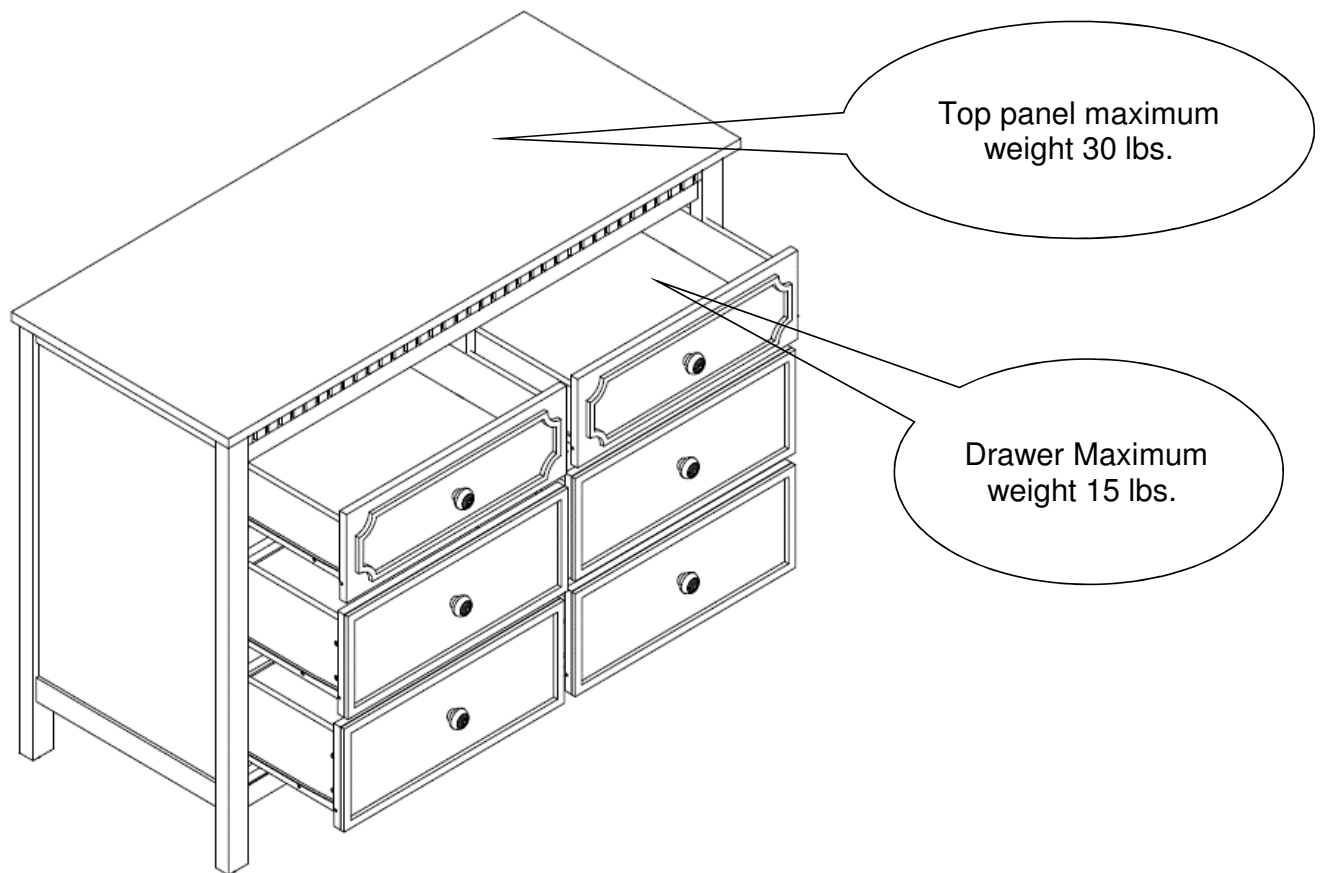
STEP 15

Insert all the drawers into the assembled unit.



6-Drawer Dresser DA7608-1SIL

! **CAUTION:** This unit is intended for use only with the products and/or maximum weights indicated. Use with other products and/or products heavier than the maximum weights indicated may result in instability or cause possible injury.



That's it! You've finished assembling your 6-Drawer Dresser!

DO NOT RETURN PRODUCT TO THE STORE.

If a part is missing or damaged, contact our customer service department. We will replace the part **FREE** of charge.



Tel #: 1-800-295-1980
E-Mail: das@dorel.com
Fax #: 514-353-7819

MODEL #: DA7608-1SIL

Customer Service

PLEASE DO NOT RETURN THIS PRODUCT TO THE STORE

PLEASE CONTACT CUSTOMER SERVICE REPRESENTATIVES AT THE FOLLOWING NUMBERS SHOULD THERE BE ANY MISSING OR DEFECTIVE PART(S).

Customer Service Phone Number 1-800-295-1980

Email: das@dorel.com

Customer Service Fax Number 514-353-7819

Request Date:

Name:

Shipping Address:

Street & Number:

City & State:

Zip Code:

Day Time Phone Number:
(including area code)

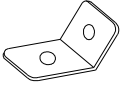



Date & Place of Purchase:

Part(s) description and quantity (Please be sure to list model number or SKN number):

Customer Service Representative Mailing Address:

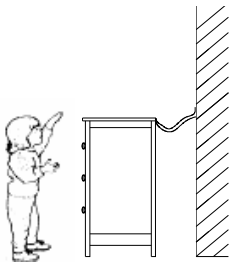
Customer Service Department No. 413, 12345 Albert-Hudon Boulevard, Suite 100, Montreal, QC, Canada, H1G 3L1

Furniture Wall Safety Strap

<p>A</p> 	<p>B</p> 	<p>C</p> 	<p>D</p> 
<p>MOUNTING BRACKET 4 PCS</p>	<p>SAFETY WALL STRAP 2 PCS</p>	<p>LONG SCREW 2 PCS</p>	<p>SHORT SCREW 2 PCS</p>

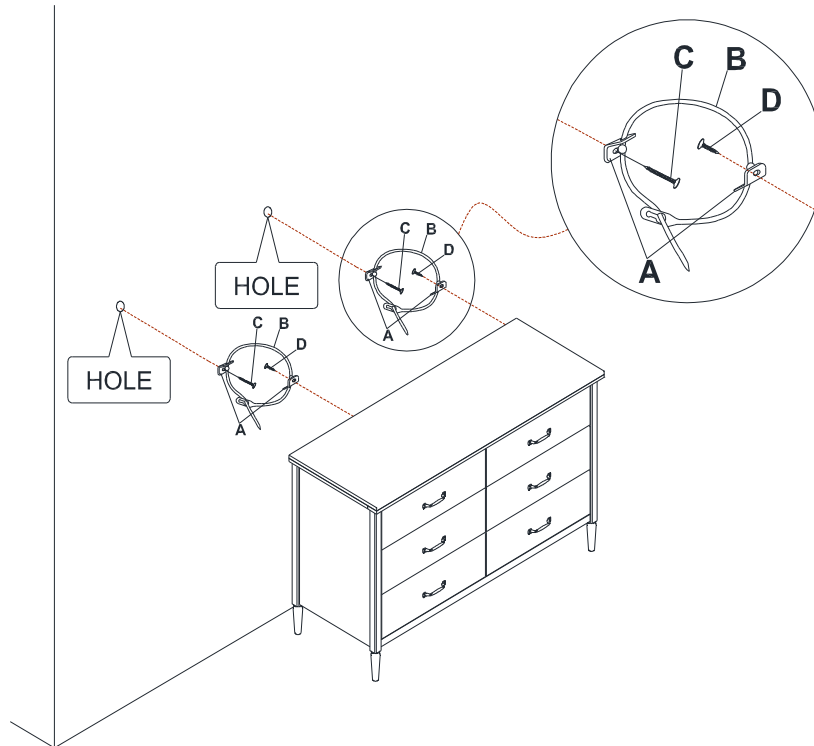
TOOLS NECESSARY: RUBBER Mallet AND PHILLIPS SCREW DRIVER ARE NOT INCLUDED.

NOTE: 3/8" DRILL BIT AND ELECTRIC DRILL ARE NOT PROVIDED.



WARNING: WHEN UPRIGHT, IT IS POSSIBLE THAT THE FURNITURE MAY TIP OVER. PLEASE INSTALL THE SAFETY WALL STRAP BEHIND THE FURNITURE TO ENSURE SAFETY.

PLEASE READ ALL INSTRUCTIONS CAREFULLY BEFORE USING THIS PRODUCT AND KEEP THESE INSTRUCTIONS FOR FUTURE REFERENCE. IF YOU HAVE ANY QUESTIONS, PLEASE CALL OUR CUSTOMER SERVICE NUMBER: 1-800-295-1980.



- Step 1:** ATTACH A MOUNTING BRACKET (A) SECURELY TO THE BACK EDGE OF THE FURNITURE USING THE SHORT SCREW (D), THROUGH THE SMALLER HOLE.
- Step 2:** LOCATE THE OTHER MOUNTING BRACKET (A) ON THE WALL OVER A WALL STUD AND 2 INCHES BELOW THE MOUNTING BRACKET SECURED TO THE BACK OF YOUR UNIT. ATTACH TO THE WALL STUD USING THE LONG SCREW (C) PROVIDED, THROUGH THE SMALLER HOLE.
- Step 3:** PLACE THE FURNITURE INTO POSITION SO BOTH MOUNTING BRACKETS ARE VERTICALLY IN LINE. LACE THE END OF THE SAFETY WALL STRAP (B) THROUGH THE LARGER HOLE IN EACH MOUNTING BRACKET (A). BRING BOTH ENDS TOGETHER AND SLIDE THE FLAT END THROUGH THE LOCKING END AND DRAW IT THROUGH UNTIL ALL SLACK IS REMOVED.
- Step** CONFIRM THAT THE STRAP IS SECURELY LACED AND LOCKED.
- TO MOVE THE FURNITURE AFTER THE SAFETY WALL STRAP HAS BEEN INSTALLED, SIMPLY REMOVE THE SCREW FROM THE WALL TO LOOSEN THE SAFETY WALL STRAP.

MANUAL DE INSTRUCCIONES



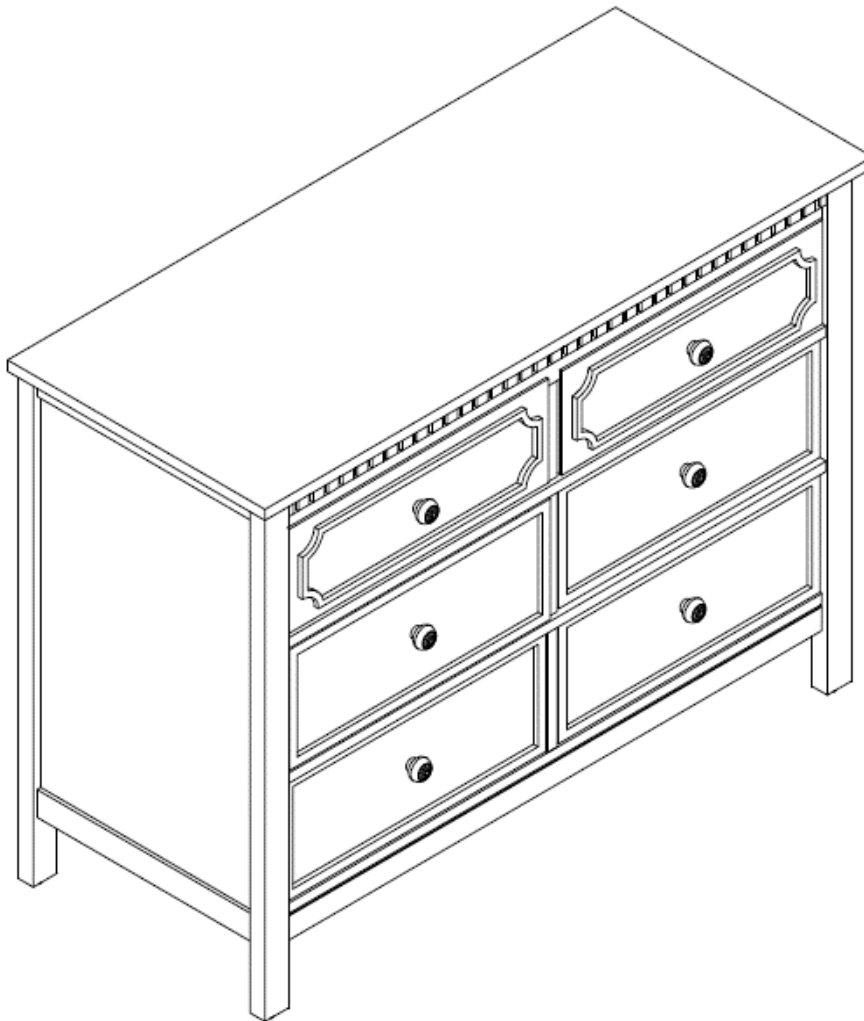
Modelo No:

DA7608-1SIL (Blanco)

Cómoda de 6 Cajones

CODIGO UPC:

0-65857-17375-8



NOTE:

ESTE MANUEL DE INSTRUCCIONES
CONTIENE INFORMACIÓN DE
SEGURIDAD **IMPORTANTE.**
POR FAVOR LÉALO Y CONSÉRVELO
PARA REFERENCIA FUTURA.

Numero de lote:

(TOMADO DEL CARTON)

Fecha de compra:

____ / ____ / ____

NO DEVUELVA EL PRODUCTO A LA TIENDA.

Si falta una pieza o está dañada, contacte nuestro departamento de servicio a la clientela. Reemplazaremos la pieza SIN cargo.



Tel #: 1-800-295-1980
Correo electrónico: das@dorel.com
Fax #: 514-353-7819

SERVICIO A LA CLIENTELA

Si faltan piezas o tiene alguna pregunta sobre este producto, ¡primero contacte nuestro representante de servicio a la clientela!



LLAME AL 1-800-295-1980

También puede pedir piezas escribiendo a la dirección indicada abajo. Por favor incluya el número de modelo, color y una descripción detallada de la pieza.

Departamento de Servicio a la Clientela No. 413

12345 Albert-Hudon Boulevard, Suite 100

Montreal, Quebec

Canadá H1G 3L1

Correo electrónico: das@dorel.com

NOTA

- * Antes de comenzar a armarla, asegúrese de identificar todas las piezas y componentes
- * Ensamble sobre una superficie suave, lisa para evitar daños en el acabado del producto.
- * Utilice la correa de seguridad provista para fijar el mueble a la pared.
- * El destornillador en cruz no está incluido.
- * **No use** herramientas eléctricas.
- * **PRECAUCIÓN:** Requiere ser armado por un adulto.
- * El armado y la manipulación pueden requerir dos personas.
- * Para evitar dañar la superficie, una vez instalados los niveladores, **NO** arrastrar el mueble para desplazarlo. Asegúrese de levantarlo.
- * El tiempo de armado se estima en 60 minutos.



ADVERTENCIA:

Pueden producirse lesiones graves o fatales si el mueble se vuelca. Para prevenirlo:

- * Instalar la sujeción provista.
- * Colocar los artículos más pesados en los cajones más bajos.
- * No colocar aparatos de TV u otros objetos pesados sobre este producto, a menos que esté específicamente diseñado para ese uso.
- * Nunca permitir que los niños trepen sobre los cajones, puertas o estantes o se cuelguen de ellos.
- * Nunca abrir más de un cajón a la vez.
- * No eliminar o retirar el dispositivo que asegura los cajones.
- * El uso de la sujeción provista reduce el riesgo de que el mueble se vuelque, pero no lo elimina totalmente.

CUIDADO Y LIMPIEZA

Límpielo regularmente con un paño suave para evitar la acumulación de suciedad. Ocasionalmente se puede usar un paño húmedo para limpiar la superficie. Séquela inmediatamente. No utilice productos abrasivos que puedan dañar la terminación. Una exposición excesiva a la luz del sol y a cambios extremos de temperatura y humedad puede dañar los muebles de madera.

MANTENIMIENTO

Verifique las arandelas/tornillos periódicamente y ajústelos si es necesario.

GARANTÍA LIMITADA

Dorel garantiza que este producto está libre de defectos de material y mano de obra y se compromete a remediar cualquiera de esos defectos. Esta garantía cubre 1 año a partir de la fecha de compra original. Esta garantía es válida únicamente si se presenta una prueba de compra. Esto se limita solamente a la reparación o reemplazo de componentes defectuosos de los muebles y no incluye el trabajo de armado. Esta garantía no se aplica a ningún producto que haya sido armado de manera inadecuada, sujeto a un mal uso o abuso o que haya sufrido cualquier tipo de alteración o reparación. Esta garantía le da derechos legales específicos y usted puede también tener otros derechos que pueden variar de estado al estado.

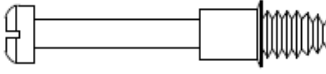


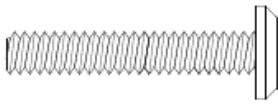



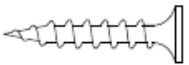
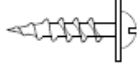

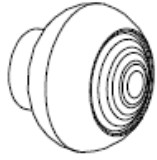
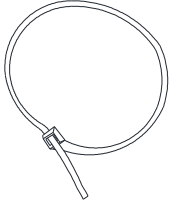


ADVERTENCIA: Si este producto se ha dañado, y/o sus componentes están rotos o faltan, NO LO USE.

C6moda de 6 cajones

DA7608-1SIL

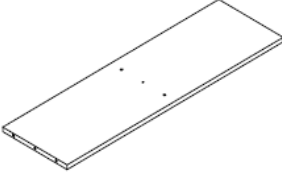
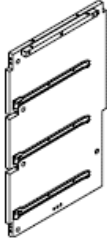
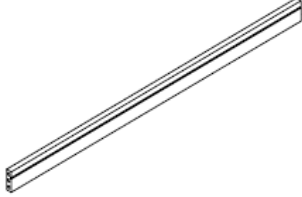
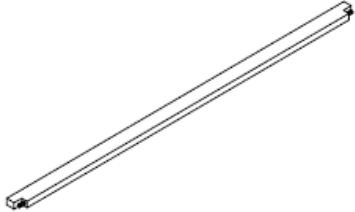
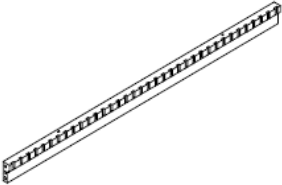
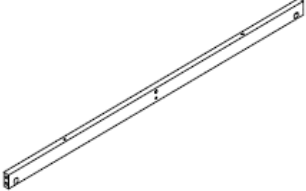
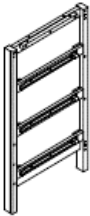

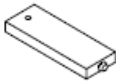
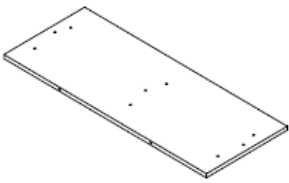
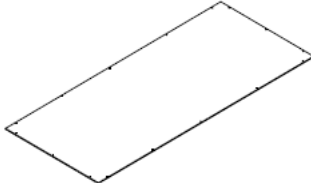
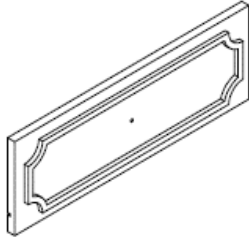
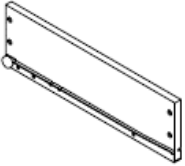
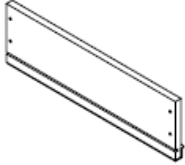
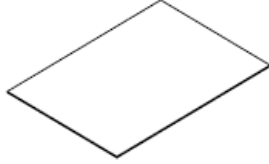
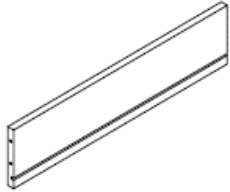
LISTA DE ACCESORIOS

1		2		3	
PERNO DE LEVA 14 PZAS		Ø8 X 30mm CLAVIJA DE MADERA 31 PZAS		SEGURO DE LEVA 14 PZAS	
4		5		6	
1/4" x 32mm PERNO LARGO 7 PZAS		LLAVE ALLEN 1 PZA		Ø1/4 X 15 X 1.5mm ARANDELA PLANA 6 PZAS	
7		8		9	
Ø1/4 X 1mm ARANDELA DE RESORTE 6 PZAS		Ø4 X 25mm TORNILLO 52 PZAS		Ø3 X 15mm TORNILLO 16 PZAS	
10		11		12	
Ø5/32" x 32mm PERNO CORTO 6 PZAS		POMO 6 PZAS		CORREA DE SEGURIDAD 1 KIT	

CÓMODA de 6 cajones

DA7608-1SIL

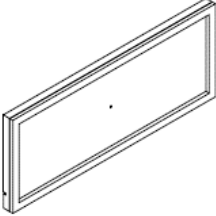
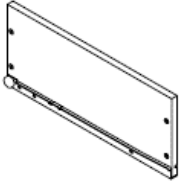
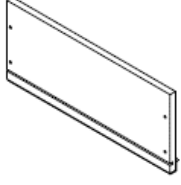
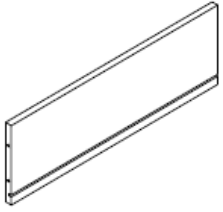
LISTA DE PIEZAS

<p>A</p> 	<p>B</p> 	<p>C</p> 	<p>D</p> 
<p>PANEL INFERIOR POSTERIOR - 1 PZA</p>	<p>PANEL CENTRAL 1 PZA</p>	<p>SOPORTE INFERIOR ANTERIOR - 1 PZA</p>	<p>SOPORTE CENTRAL ANTERIOR - 2 PZAS</p>
<p>E</p> 	<p>F</p> 	<p>G</p> 	<p>H</p> 
<p>SOPORTE SUPERIOR ANTERIOR - 1 PZA</p>	<p>SOPORTE SUPERIOR POSTERIOR - 1 PZA</p>	<p>PANEL LATERAL DERECHO - 1 PZA</p>	<p>PANEL LATERAL IZQUIERDO 1 PZA</p>
<p>I</p> 	<p>J</p> 	<p>K</p> 	<p>L</p> 
<p>PATA DE SOPORTE 1 PZA</p>	<p>TAPA DE LA CÓMODA 1 PZA</p>	<p>PANEL SUPERIOR POSTERIOR - 1 PZA</p>	<p>FRENTE CAJÓN SUPERIOR 2 PZAS</p>
<p>M</p> 	<p>N</p> 	<p>O</p> 	<p>P</p> 
<p>LADO IZQUIERDO CAJÓN SUPERIOR - 2 PZAS</p>	<p>LADO DERECHO CAJÓN SUPERIOR - 2 PZAS</p>	<p>FONDO DE CAJÓN 6 PZAS</p>	<p>LADO POSTERIOR CAJÓN SUPERIOR - 2 PZAS</p>

Cómoda de 6 cajones

DA7608-1SIL

LISTA DE PIEZAS

Q 	R 	S 	T 
FRENTE CAJÓN INFERIOR - 4 PZAS	LADO IZQUIERDO CAJÓN INFERIOR - 4 PZAS	LADO DERECHO CAJÓN INFERIOR - 4 PZAS	LADO POSTERIOR CAJÓN INFERIOR - 4 PZAS

Cómoda de 6 cajones

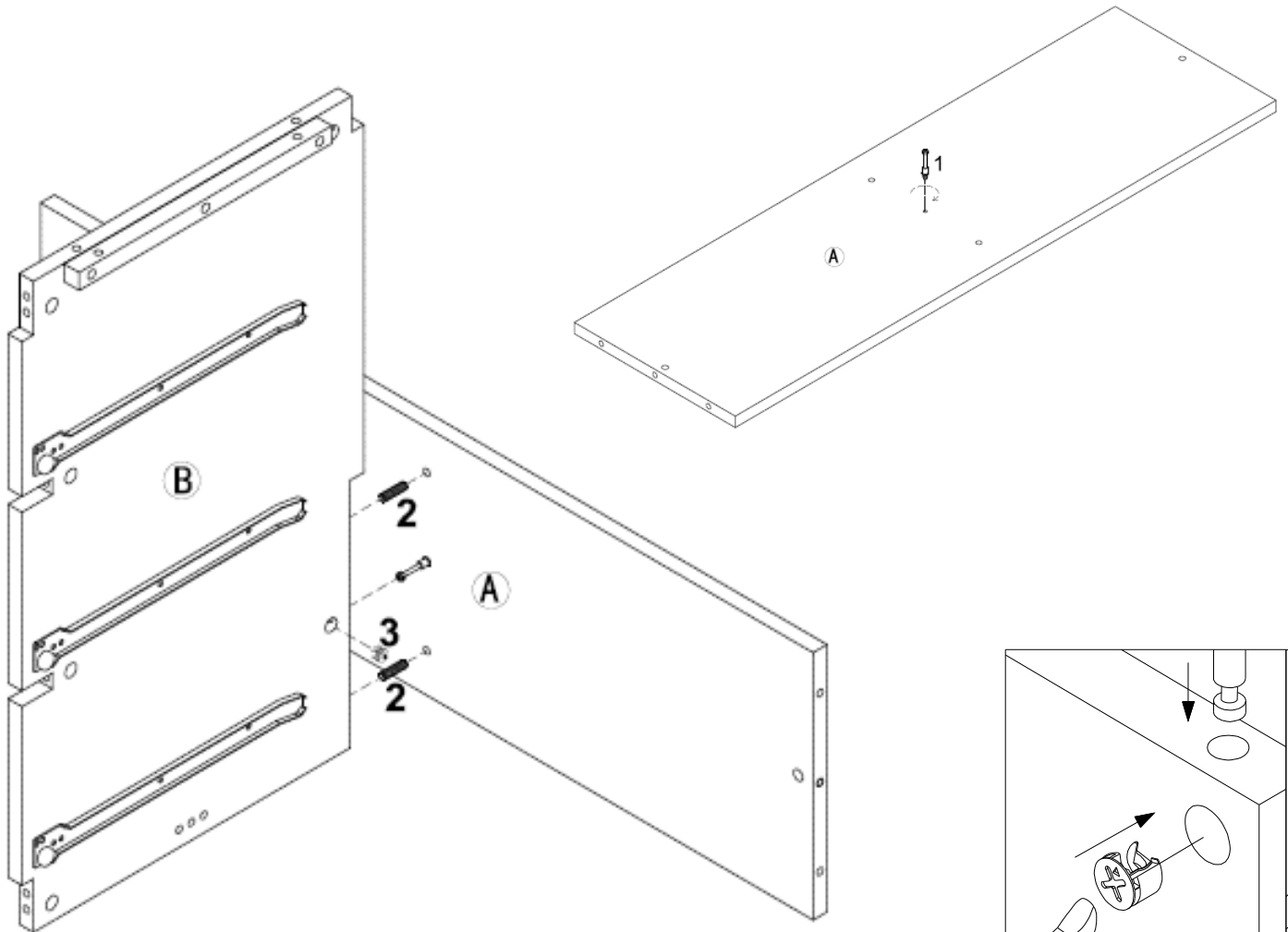
DA7608-1SIL

ETAPA 1

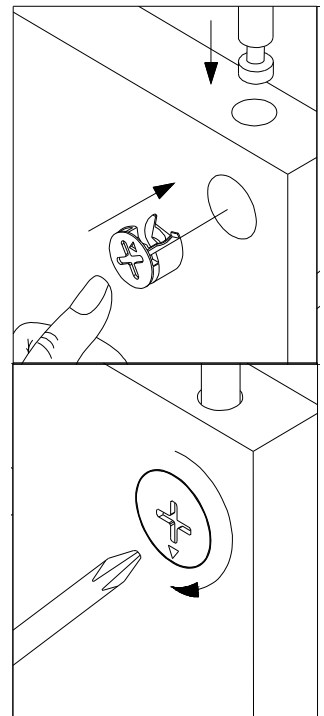
Inserte un perno de leva (1) en el panel inferior posterior (A) como ilustrado.

Inserte un seguro de leva (3) en el panel central inferior (B).

Una el panel central inferior (B) con el panel inferior posterior (A) con clavijas de madera (2) como ilustrado. Fije el panel central inferior (B) girando el seguro de leva (3) 1/2 vuelta en sentido horario con un destornillador Phillips (no incluido).



1		1 PC
2		2 PCS
3		1 PC

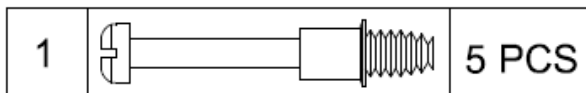
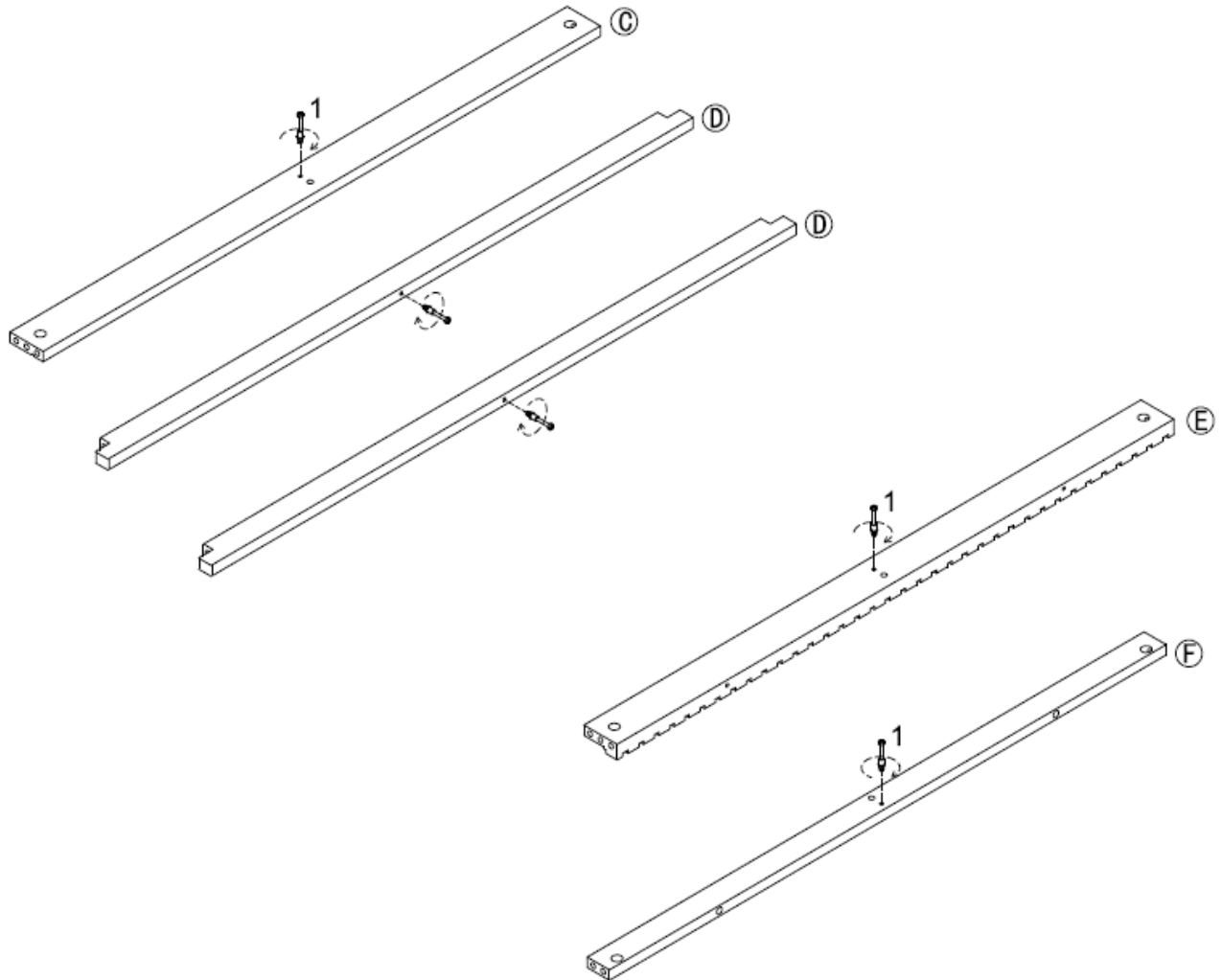


Cómoda de 6 cajones

DA7608-1SIL

ETAPA 2

Inserte pernos de leva (1) en el soporte interior anterior (C), en los soportes centrales anteriores (D), en el soporte superior anterior (E) y en el soporte superior posterior (F) como ilustrado.



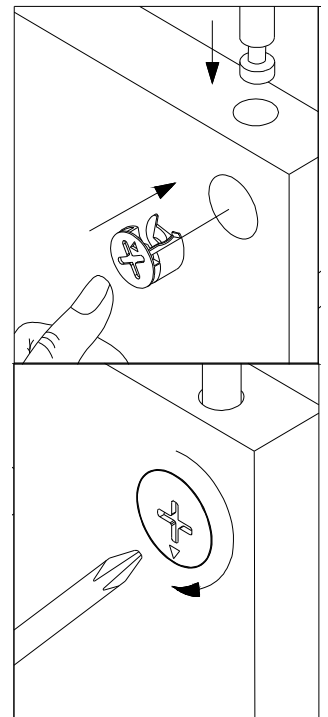
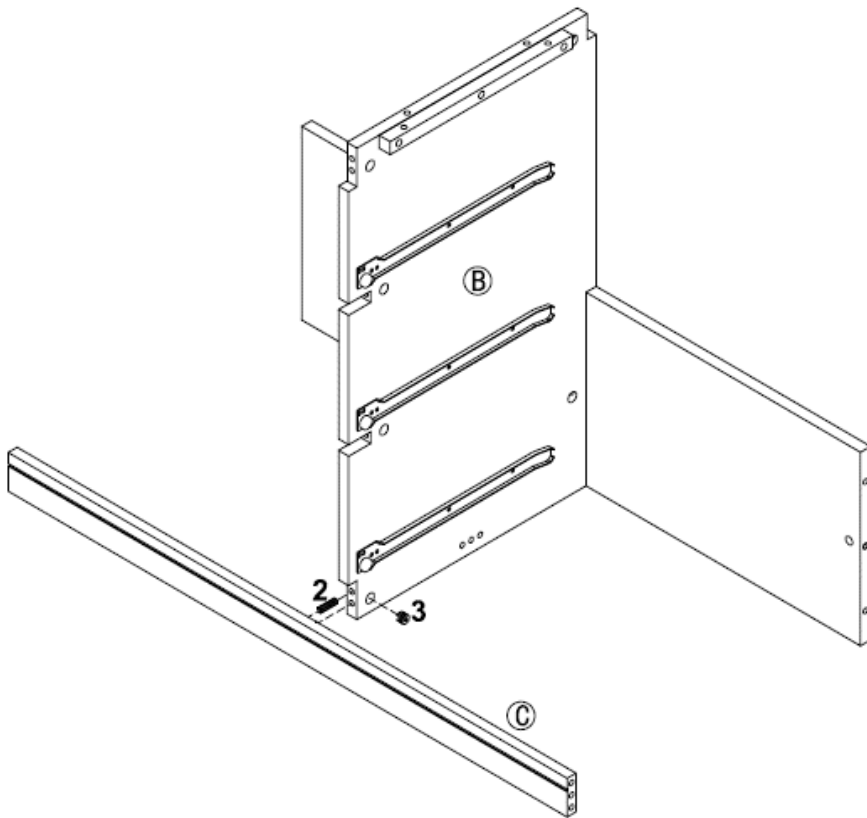
Cómoda de 6 cajones

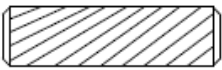

DA7608-1SIL

ETAPA 3

Inserte un seguro de leva (3) en el panel central (B) como ilustrado.

Una el soporte inferior anterior (C) con el panel central (B) con una clavija de madera (2) como ilustrado. Fije el soporte girando el seguro de leva (3) colocado en el panel central (B) 1/2 vuelta en sentido horario con un destornillador Phillips (no incluido).



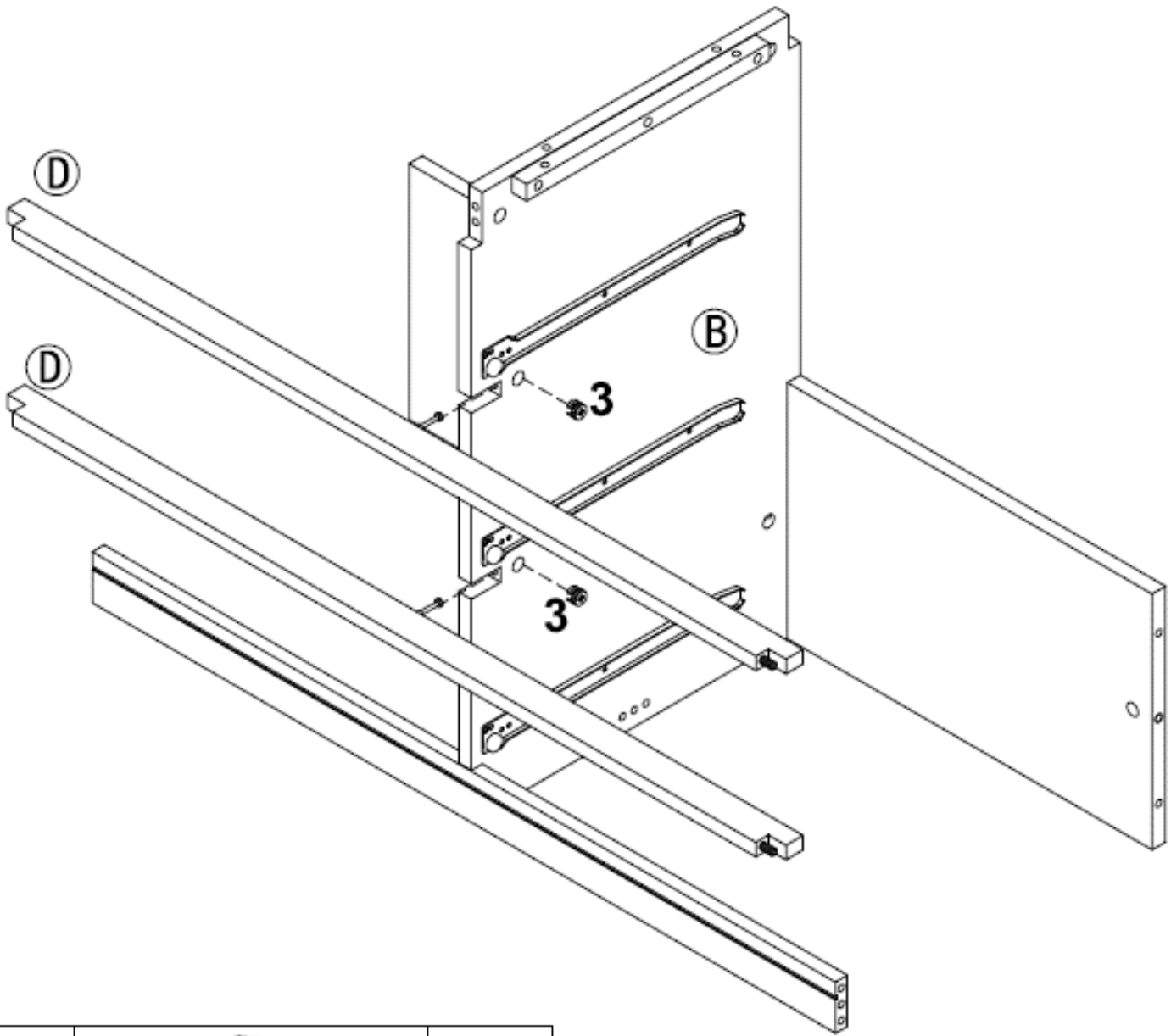
2		1 PC
3		1 PC


Cómoda de 6 cajones

DA7608-1SIL

ETAPA 4

Inserte seguros de leva (3) en el panel central (B) como ilustrado.
Una los soportes centrales anteriores (D) con el panel central (B) girando los pernos de leva (3) colocados en el panel central (B) 1/2 vuelta en sentido horario con un destornillador Phillips (no incluido).



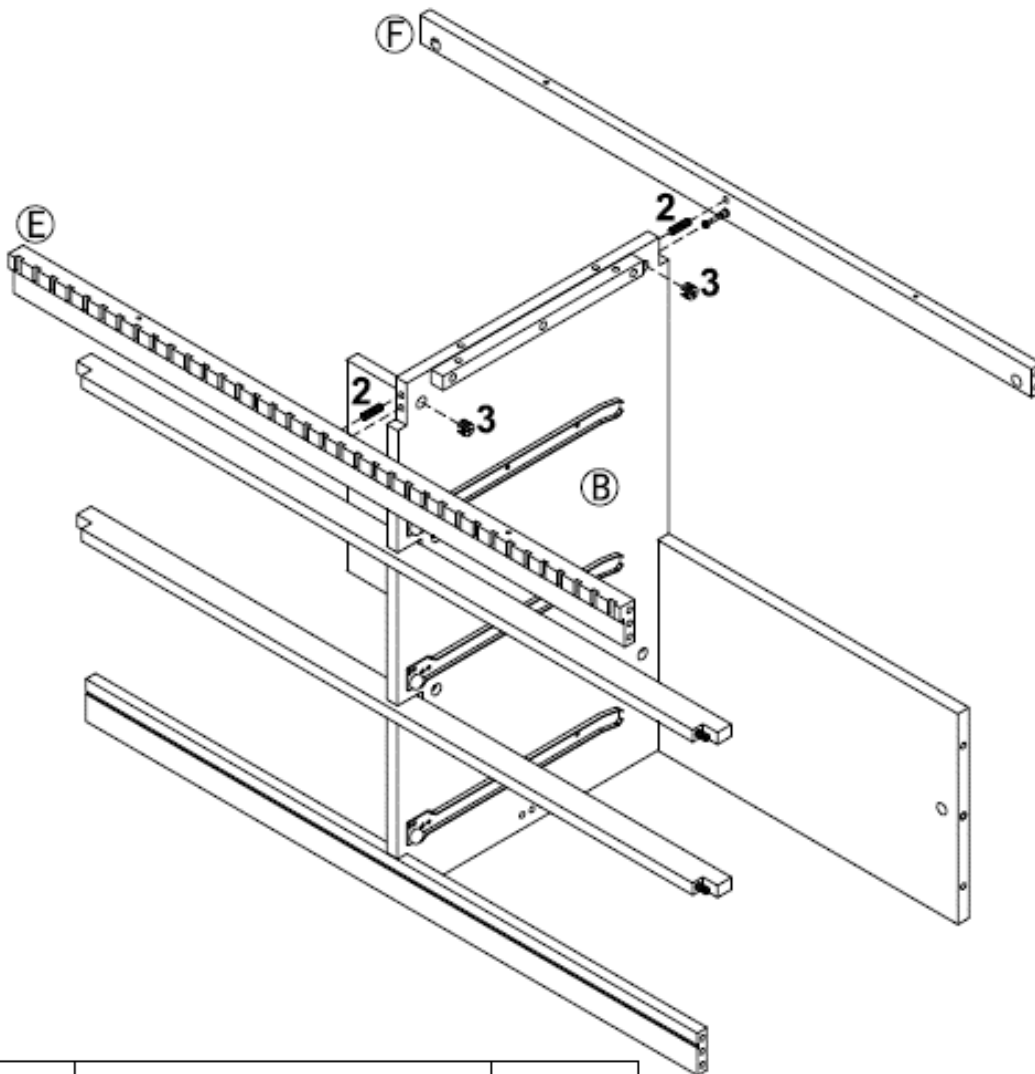
3		2 PCS
---	---	-------

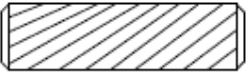

Cómoda de 6 cajones

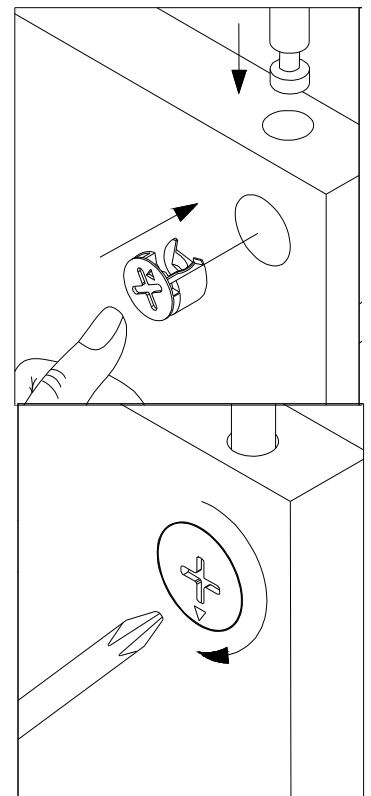
DA7608-1SIL

ETAPA 5

Inserte seguros de leva (3) y clavijas de madera (2) en el panel central (B) como ilustrado. Una los soportes superiores anterior y posterior (E y F) con el panel central (B) girando los seguros de leva (3) instalados en el panel central (B) 1/2 vuelta en sentido horario con un destornillador Phillips (no incluido).



2		2 PCS
3		2 PCS

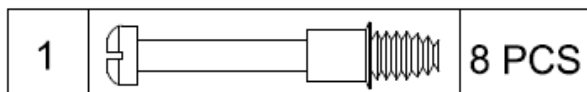
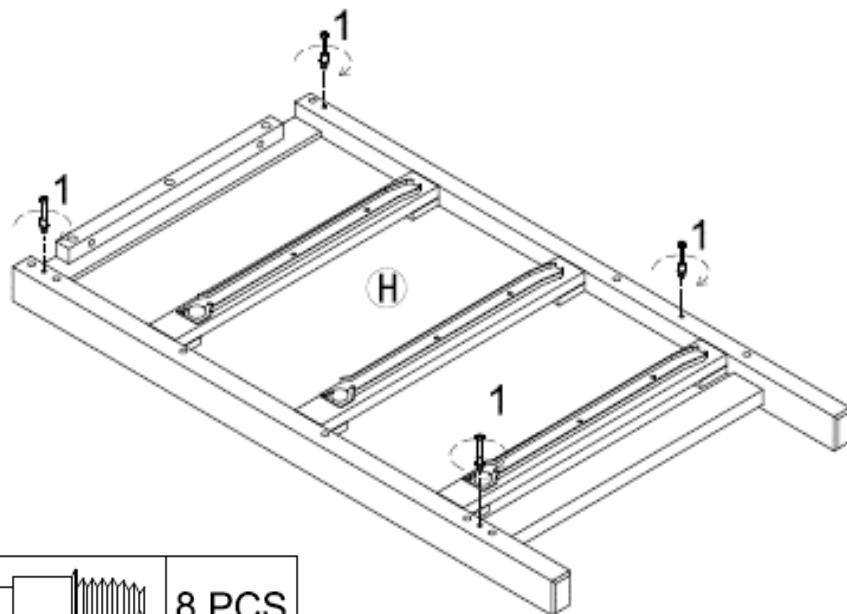
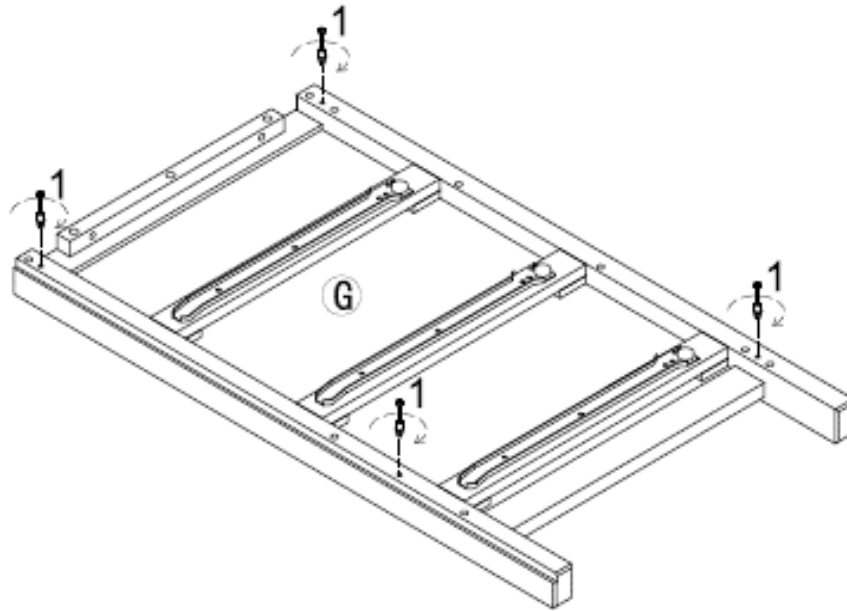


Cómoda de 6 cajones

DA7608-1SIL

ETAPA 6

Inserte pernos de leva (1) en los paneles laterales derecho e izquierdo (G y H) como ilustrado.



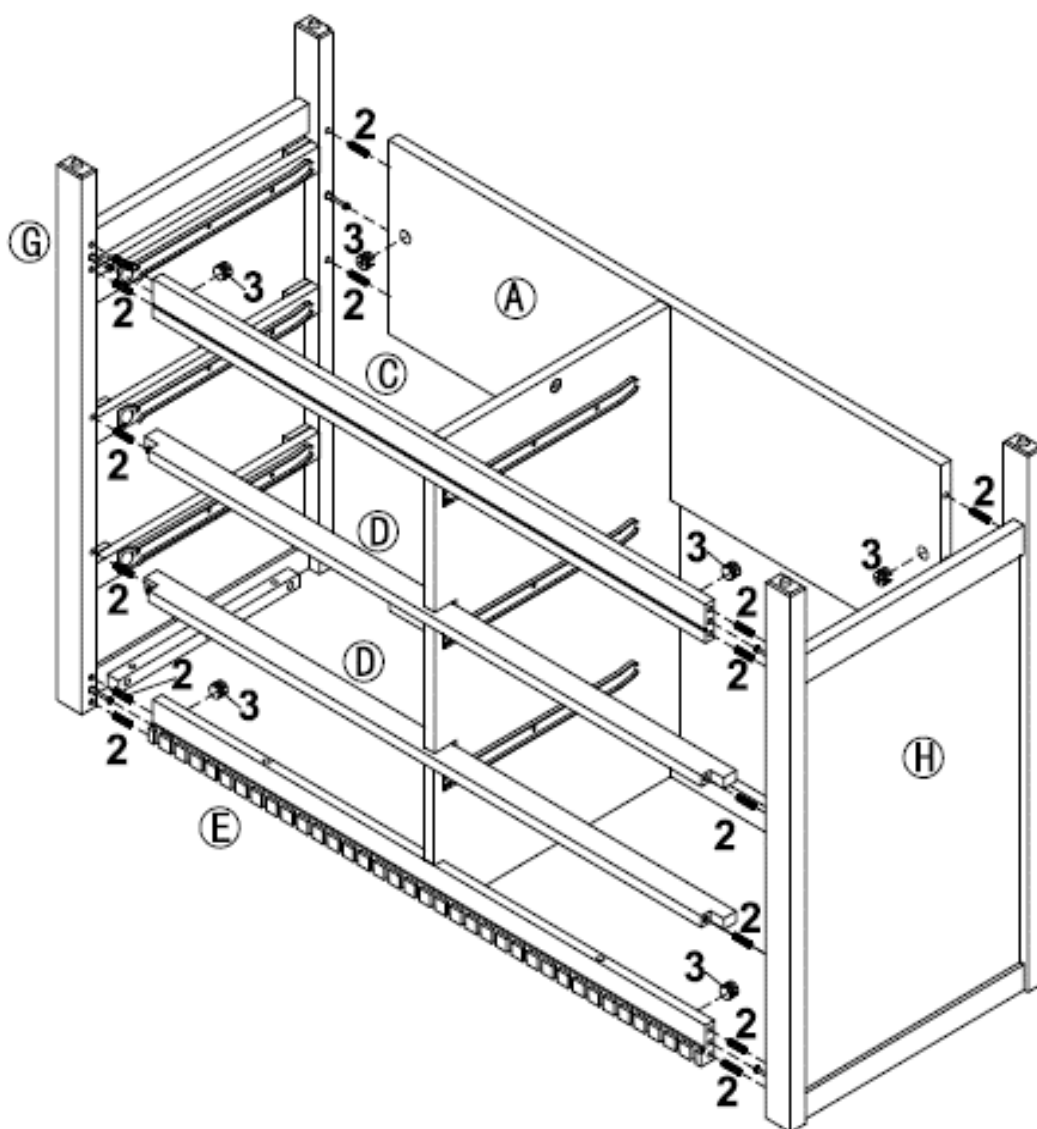
Cómoda de 6 cajones



DA7608-1SIL

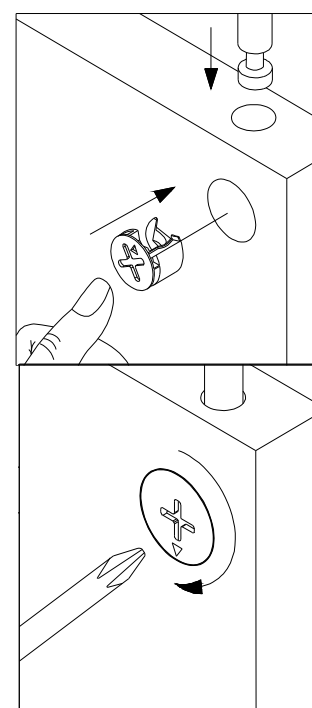
ETAPA 7

Inserte clavijas de madera (2) y seguros de leva (3) en los paneles laterales (G y H), en los soportes anteriores superior e inferior (C y E) y en el panel inferior posterior (A) como ilustrado. Una los paneles laterales (G y H) con la unidad ensamblada.

Fije los paneles laterales (G y H) a la unidad ensamblada girando los seguros de leva (3) 1/2 vuelta en sentido horario con un destornillador Phillips (no incluido).



2		18 PCS
3		8 PCS



Cómoda de 6 cajones

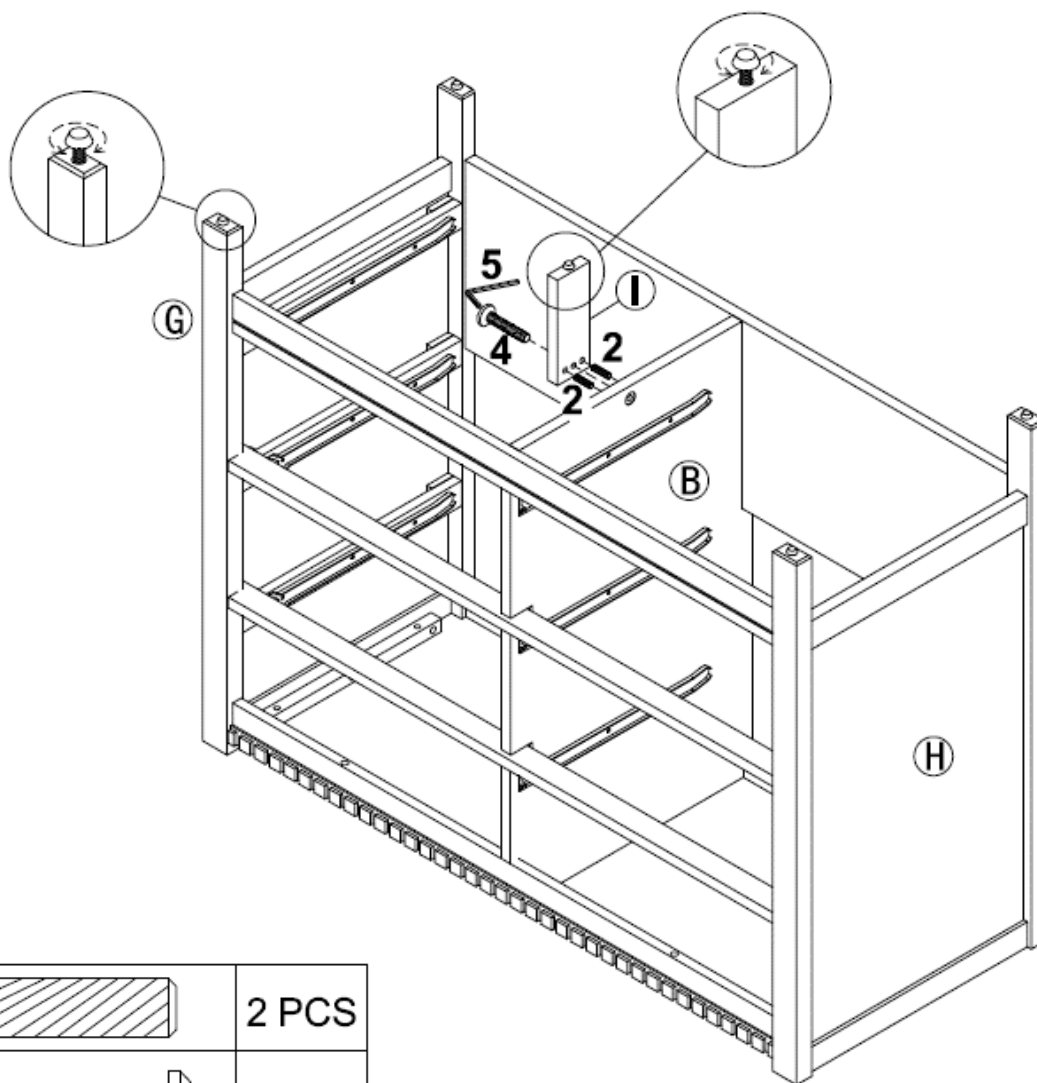
DA7608-1SIL

ETAPA 8

Una la pata de soporte (I) con el panel central (B) con un perno largo (4) y clavijas de madera (2) como ilustrado.

Utilice la llave Allen (5) para ajustar el perno.

NOTA- La pata de soporte (I) y los paneles laterales (G y H) están dotados de niveladores ajustables. Una vez completado el ensamblaje y la cómoda colocada en el sitio deseado, gire los niveladores ajustables en sentido horario o anti-horario hasta que la cómoda quede bien estable sobre el piso.



2		2 PCS
4		1 PC
5		

Cómoda de 6 cajones

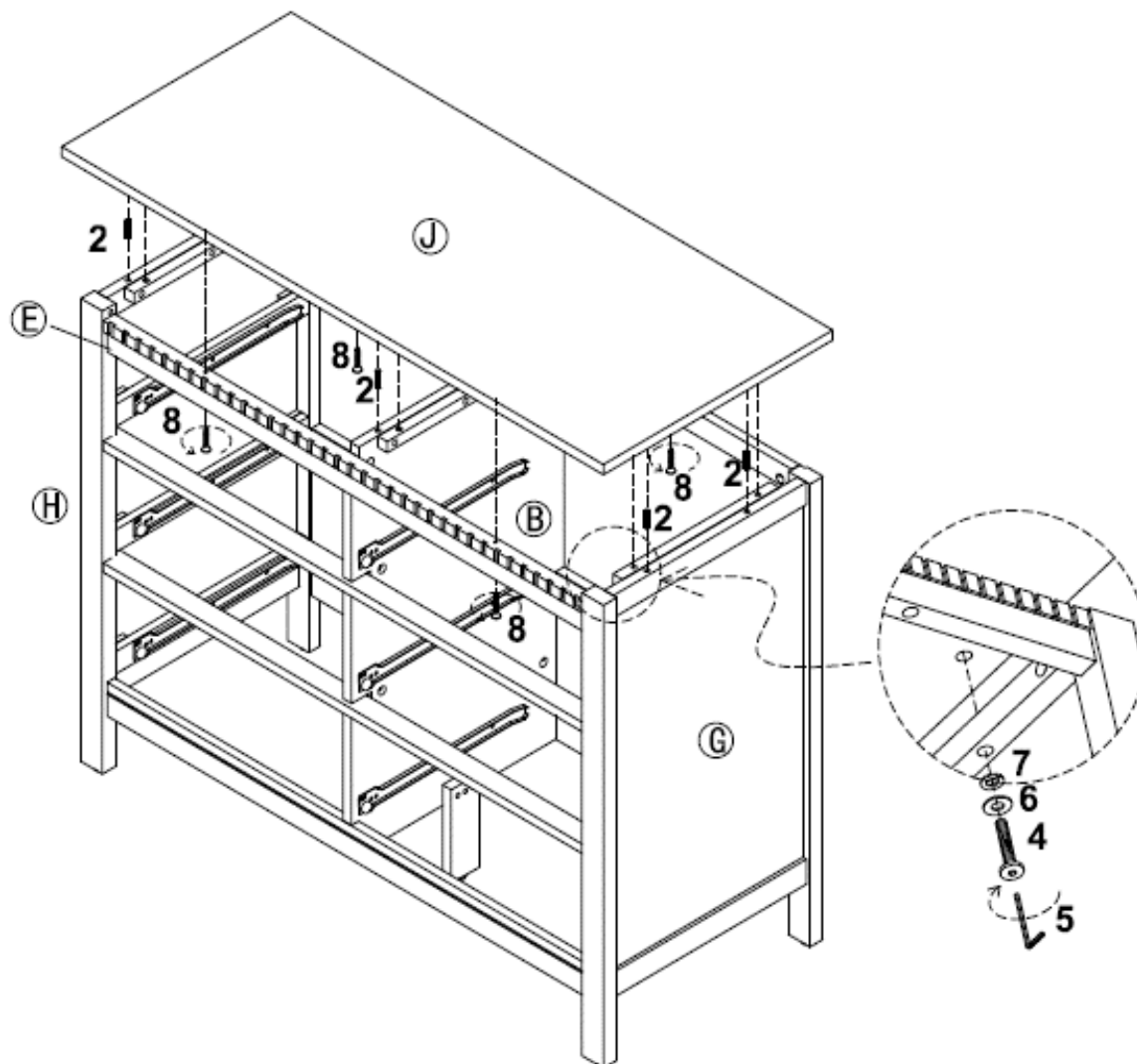
DA7608-1SIL




ETAPA 9


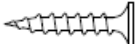

Inserte clavijas de madera (2) en los paneles laterales y en el panel central (B, G y H) como ilustrado.

Coloque la tapa de la cómoda (J) sobre la cómoda ya ensamblada.

Fije la tapa de la cómoda (J) a la cómoda ensamblada con tornillos (8), pernos largos (4), arandelas planas (6) y arandelas de resorte (7) con la llave Allen (5). Utilice un destornillador Phillips (no incluido) para ajustar los tornillos (8).



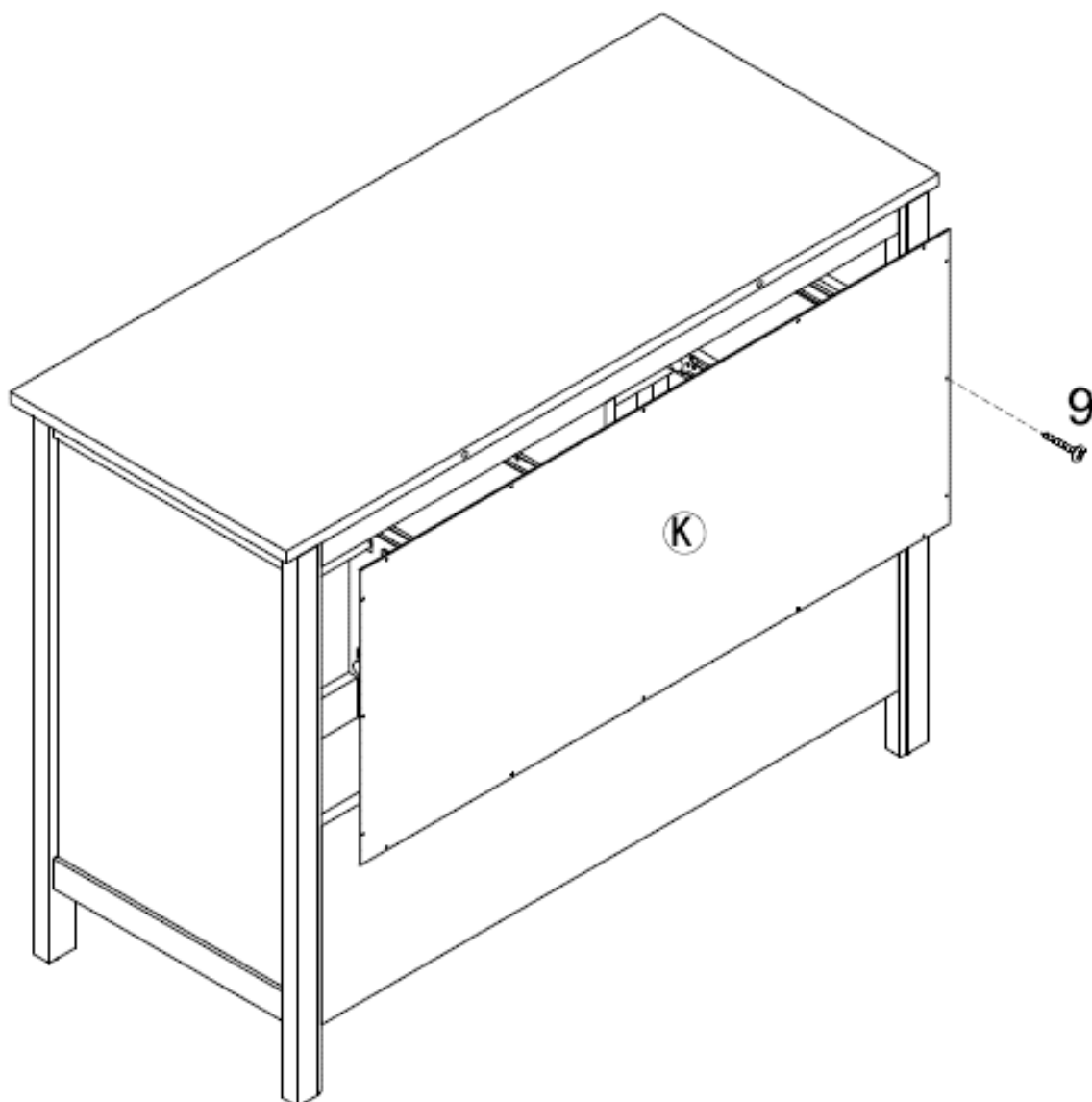
2		6 PCS
4		6 PCS
6		6 PCS

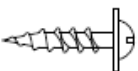
7		6 PCS
8		4 PCS
5		

Cómoda de 6 cajones DA7608-1SIL

ETAPA 10

Una el panel superior posterior (K) con la cómoda ensamblada con tornillos (9) como ilustrado.
Utilice un destornillador Phillips (no incluido) para ajustar los tornillos.



9		16 PCS
---	---	--------

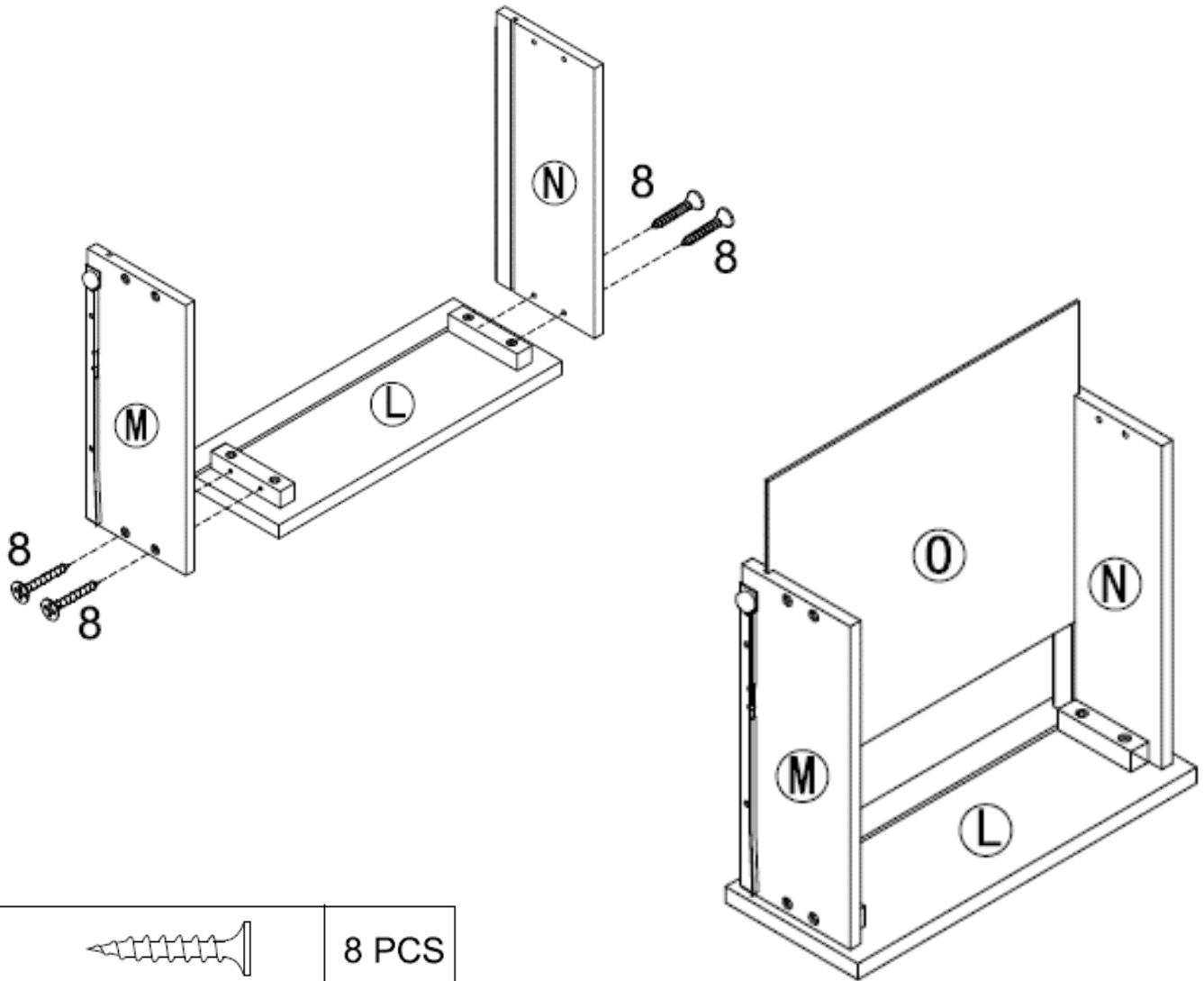
Cómoda de 6 cajones

DA7608-1SIL

ETAPA 11

Una los lados izquierdo y derecho del cajón superior (M y N) con el frente del cajón superior (L).
Fije los lados del cajón con un destornillador Phillips (no incluido).

Deslice el fondo del cajón (O) en las ranuras de los lados izquierdo y derecho del cajón superior (M y N) y del frente del cajón superior (L).



Cómoda de 6 cajones

DA7608-1SIL

ETAPA 12

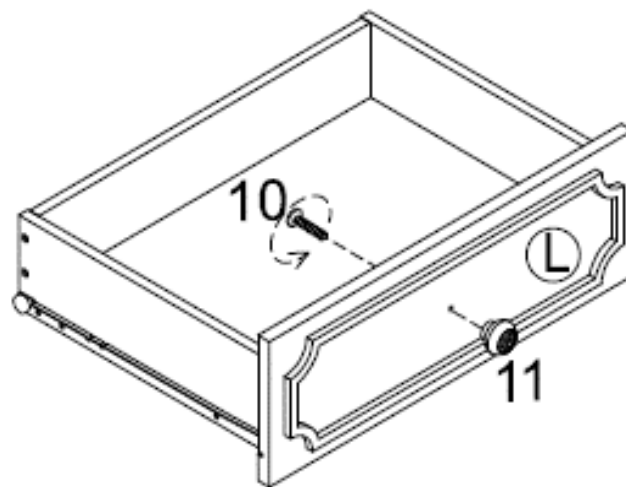
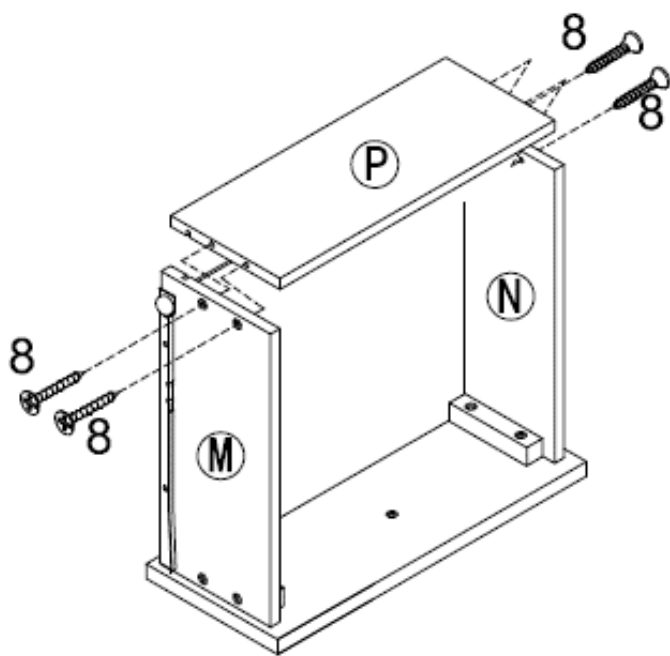
Una el lado posterior del cajón superior (P) con los lados del cajón (M y N) con tornillos (8).

Utilice un destornillador Phillips (no incluido) para ajustar los tornillos.

Coloque un pomo (11) en el frente del cajón (L) con un perno (10).

Utilice un destornillador Phillips (no incluido) para ajustar el perno.

Repita las etapas 11 y 12 para ensamblar el otro cajón superior.



8		8 PCS
10		2 PCS
11		2 PCS

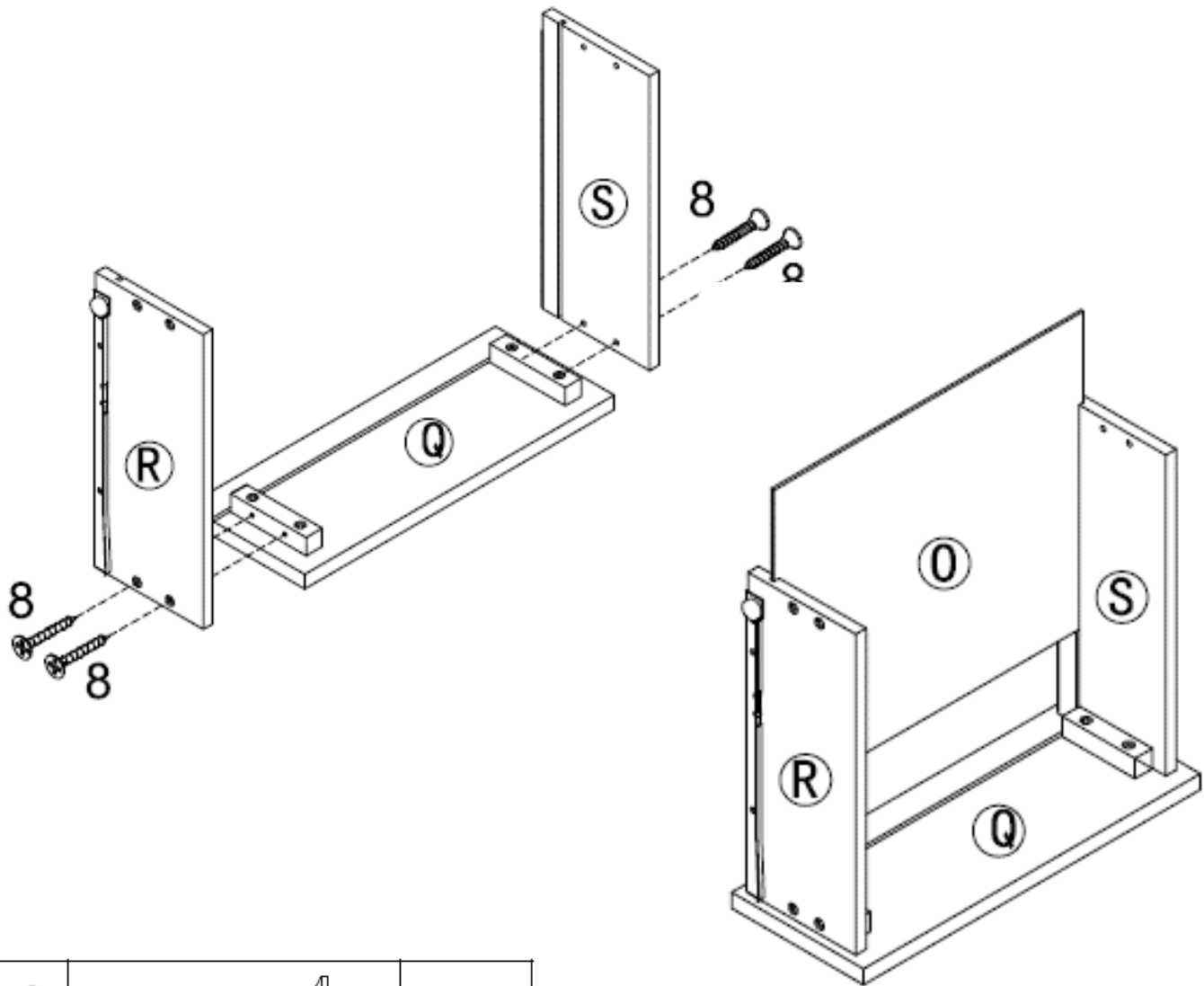
Cómoda de 6 cajones

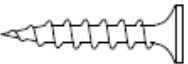
DA7608-1SIL

ETAPA 13

Una los lados izquierdo y derecho de un cajón inferior (R y S) con el frente del cajón (Q). Fije los lados del cajón con un destornillador Phillips (no incluido).

Deslice el fondo del cajón (O) en las ranuras de los lados izquierdo y derecho del cajón inferior (R y S) y del frente del cajón (Q).



8		16 PCS
---	---	--------

Cómoda de 6 cajones

DA7608-1SIL

ETAPA 14

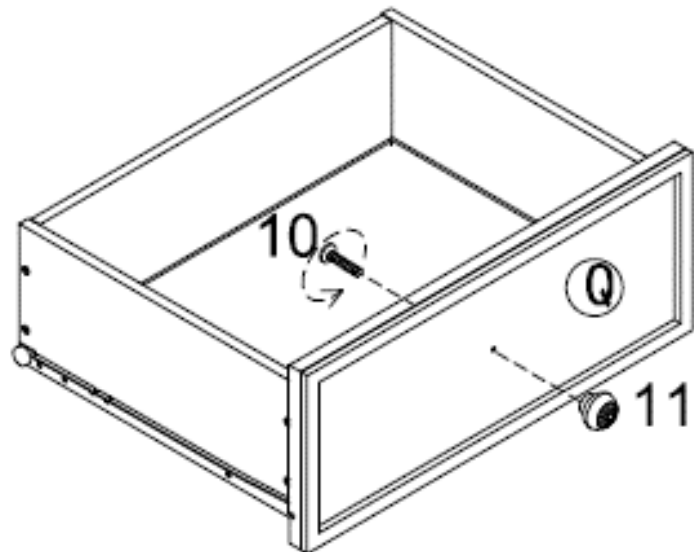
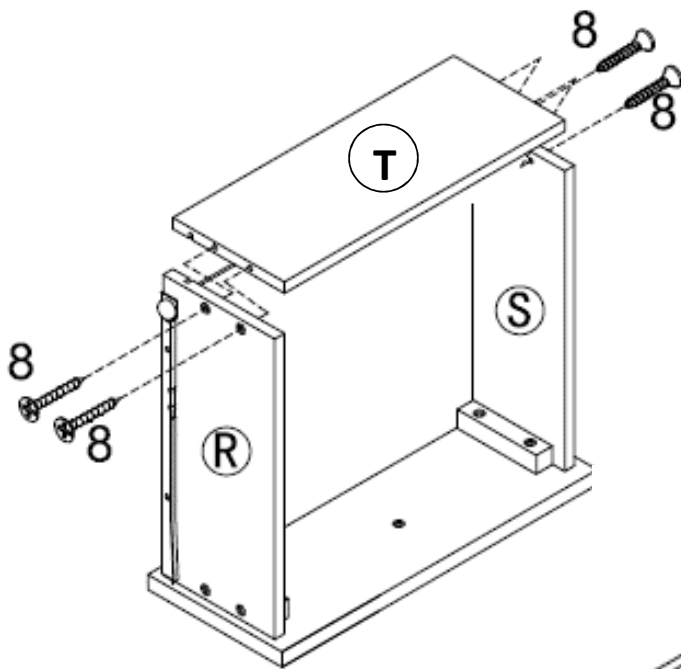
Una el lado posterior del cajón inferior (T) con los lados del cajón (R y S) con tornillos (8).

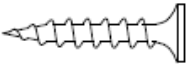


Utilice un destornillador Phillips (no incluido) para ajustar los tornillos.

Coloque un pomo (11) en el frente del cajón (Q) con un perno (10).

Utilice un destornillador Phillips (no incluido) para ajustar el perno.

Repita las etapas 13 y 14 para ensamblar los otros cajones inferiores.

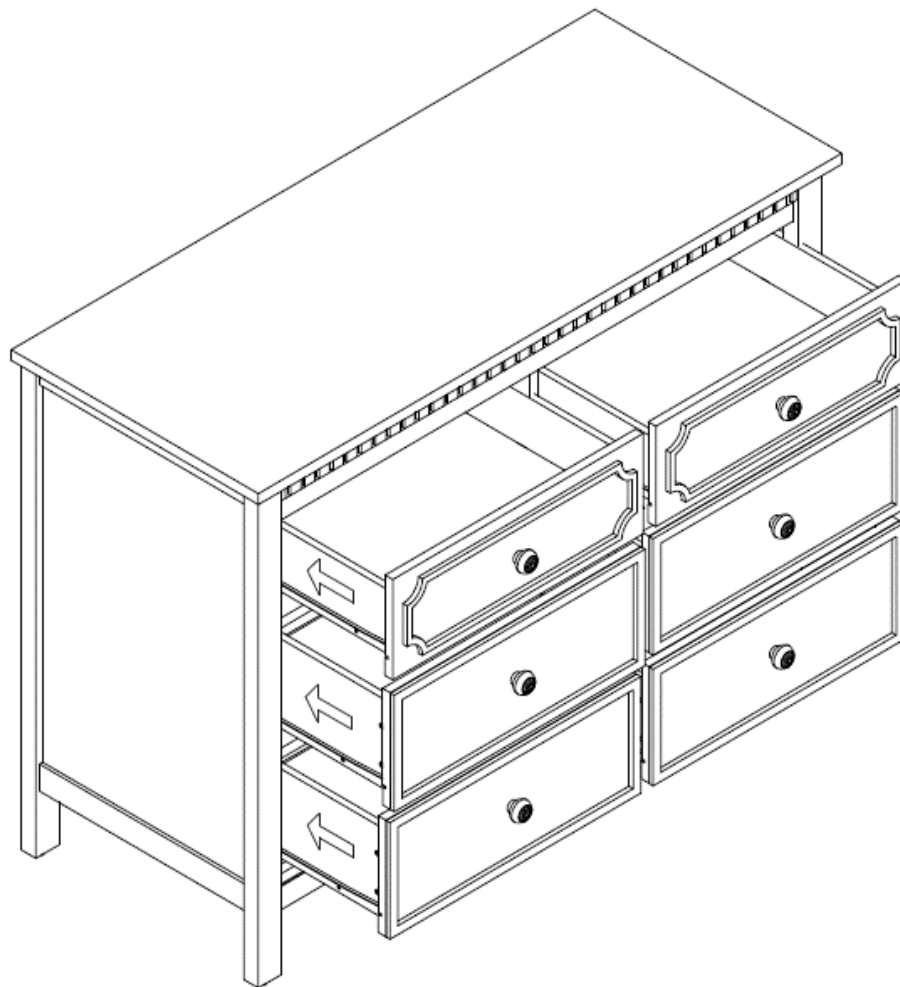


8		16 PCS
10		4 PCS
11		4 PCS

Cómoda de 6 cajones DA7608-1SIL

ETAPA 15

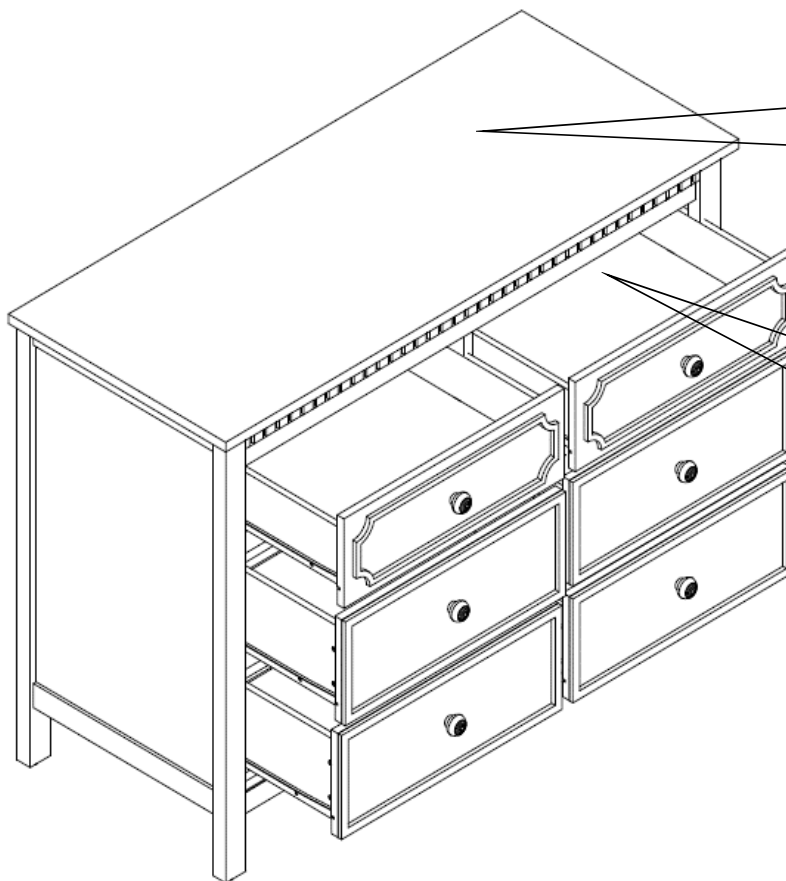
Coloque todos los cajones dentro de la cómoda.



Cómoda de 6 cajones DA7608-1SIL



PRECAUCIÓN: Esta unidad está prevista únicamente para ser usada con los productos y el peso máximo indicados. El usarla con otros productos más pesados que el peso máximo indicado puede provocar inestabilidad y causar heridas.



PESO MÁXIMO
PARA PANEL
SUPERIOR-30 LBS.

PESO MÁXIMO
PARA CAJÓN-
15LBS

¡Listo! Ya ha terminado de ensamblar la cómoda de 6 cajones.

NO DEVUELVA EL PRODUCTO A LA TIENDA.

Si falta una pieza o está dañada, contacte nuestro departamento de servicio a la clientela. Reemplazaremos la pieza **SIN** cargo.



Tel #: 1-800-295-1980
Correo electrónico: das@dorel.com
Fax #: 514-353-7819

Servicio al Cliente

POR FAVOR, NO DEVUELVA ESTE PRODUCTO A LA TIENDA

POR FAVOR, CONTACTE LOS REPRESENTANTES DEL SERVICIO A LA CLIENTELA A LOS SIGUIENTES NÚMEROS SI FALTA UNA PIEZA O ESTÁ DEFECTUOSA.

Número de teléfono del Servicio al Cliente 1-800-295-1980

Cor Elect:

Número de fax del Servicio al Cliente 514-353-7819

Fecha de pedido:

Nombre:

Dirección de envío:

Calle y número:

Ciudad y provincia:

Código Postal:

Teléfono para llamar de día:
(incluyendo código regional)

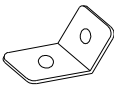



Fecha y lugar de compra:

Descripción de pieza(s) y cantidad: (Por favor, asegúrese de incluir número de modelo o número SKN)

Dirección postal del Representante de Servicio al Cliente:

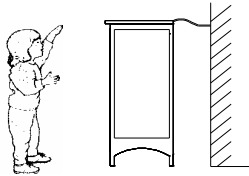
Departamento de Servicio al Cliente No. 413, 12345 Albert-Hudon Boulevard, Suite 100, Montreal, QC, Canada, H1G

Correa de seguridad para fijar el mueble a la pared

<p>A</p> 	<p>B</p> 	<p>C</p> 	<p>D</p> 
<p>GANCHO DE METAL 4 PZAS</p>	<p>CORREA DE SEGURIDAD PARA LA PARED 2 PZA</p>	<p>TORNILLO LARGO 2 PZA</p>	<p>TORNILLO CORTO 2 PZA</p>

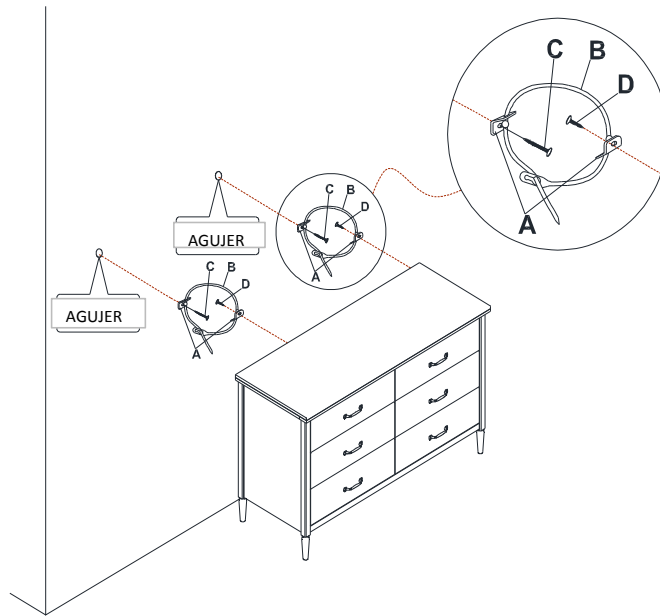
HERRAMIENTAS NECESARIAS: LA MASA DE CAUCHO Y EL DESTORNILLADOR PHILLIPS NO ESTÁN INCLUIDOS.

NOTA: LA MECHA DE 5/16" Y EL TALADRO ELÉCTRICO NO ESTÁN INCLUIDOS.



⚠ ADVERTENCIA: ES POSIBLE QUE EL MUEBLE PUEDA VOLCARSE AL ESTAR DE PIE. INSTALE LA CORREA DE SEGURIDAD PARA LA PARED DETRÁS DEL MUEBLE PARA ASEGURARSE DE QUE NO SE VUELQUE.

SÍRVASE LEER TODAS LAS INSTRUCCIONES CON ATENCIÓN ANTES DE UTILIZAR ESTE PRODUCTO Y SÍRVASE CONSERVARLAS PARA SU USO FUTURO. SI TIENE PREGUNTAS, POR FAVOR LLAME A NUESTRO NÚMERO DE ATENCIÓN AL CLIENTE: 1-800-295-1980.



ETAPA 1: CON EL TORNILLO CORTO (D), FIJE FIRMEMENTE UN GANCHO DE METAL (A) A LA BARRA TRANSVERSAL SUPERIOR POSTERIOR DEL MUEBLE, A TRAVÉS DEL AGUJERO MÁS PEQUEÑO

ETAPA 2: CON UN ANCLAJE, COLOQUE EL OTRO GANCHO DE METAL (A) SOBRE LA PARED 2 PULGADAS POR DEBAJO DEL GANCHO YA COLOCADO EN LA PARTE POSTERIOR DEL MUEBLE. FÍJELO AL ANCLAJE DE LA PARED CON EL TORNILLO LARGO (C), A TRAVÉS DEL AGUJERO MÁS PEQUEÑO.

ETAPA 3: COLOQUE EL MUEBLE EN SU POSICIÓN DE MANERA QUE LOS DOS GANCHOS ESTÉN ALINEADOS VERTICALMENTE. PASE EL EXTREMO DE LA CORREA DE SEGURIDAD (B) A TRAVÉS DEL AGUJERO MÁS GRANDE DE CADA GANCHO (A). COLOQUE LOS DOS EXTREMOS JUNTOS Y DESLICE EL EXTREMO PLANO A TRAVÉS DEL EXTREMO DE LA FIJACIÓN HASTA QUE QUEDE BIEN AJUSTADO.

ETAPA 4: ASEGÚRESE DE QUE LA CORREA ESTÉ BIEN PASADA Y AJUSTADA.

PARA DESPLAZAR EL MUEBLE DESPUÉS DE HABER INSTALADO LA CORREA EN LA PARED, SIMPLEMENTE RETIRE EL TORNILLO (A) DE LA PARED PARA AFLOJAR LA CORREA DE SEGURIDAD.

MANUEL D'INSTRUCTIONS



Modèle No:

DA7608-1SIL (Blanc)

Commode 6 Tiroirs

Code CUP:

0-65857-17375-8



NOTE:

CE MANUEL D'INSTRUCTIONS
CONTIENDENT INFORMATION DE SÉCURITÉ
TRÈS IMPORTANTE. VEUILLEZ LE LIRE ET
LE CONSERVER POUR RÉFÉRENCE
ULTÉRIEURE.

Numéro de lot :

(sur la boîte)

Date d'achat :

____ / ____ / ____

NE RETOURNEZ PAS LE PRODUIT AU MAGASIN. Si une pièce est manquante ou endommagée, veuillez communiquer avec notre service à la clientèle. Nous la remplacerons **GRATUITEMENT**.



Tel #: 1-800-295-1911
Courriel: das@dorel.cc
Fax #: 514-353-7811

SERVICE À LA CLIENTÈLE

Si une pièce est manquante, ou pour toute question concernant ce produit, veuillez d'abord communiquer avec notre représentant de service à la clientèle!

 **APPELEZ AU 1-800-295-1980**

Vous pouvez aussi commander des pièces en écrivant à l'adresse indiquée ci-dessous. Veuillez inclure le numéro de modèle du produit, la couleur et une description détaillée de la pièce.

Service à la clientèle No. 413
12345 Boulevard Albert-Hudon, bureau 100
Montréal, Québec
Canada H1G 3L1

COURRIEL : das@dorel.com

NOTES :

- * Veuillez vous assurer d'avoir toutes les pièces et composantes avant de commencer l'assemblage.
- * Monter sur une surface douce, lisse pour éviter d'endommager la finition du produit.
- * Utilisez la courroie de sécurité fournie pour fixer le meuble au mur.
- * Le tournevis à tête cruciforme n'est pas inclus
- * **NE PAS UTILISER** d'outils électriques.
- * ATTENTION: Doit être assemblé par un adulte.
- * Deux personnes peuvent être nécessaires pour l'assemblage et la manipulation.
- * Pour éviter des dommages, une fois les niveleurs installés, NE PAS traîner le meuble sur la surface pour le déplacer. Assurez-vous de le soulever.
- * Le temps d'assemblage estimé est de 60 minutes.

AVERTISSEMENT

Des blessures graves ou mortelles par écrasement peuvent se produire par des meubles renversés. Pour aider à prévenir les renversements:

- * Installer le dispositif de retenue fourni.
- * Placez les articles lourds dans les tiroirs inférieurs.
- * À moins d'être conçu spécifiquement pour accommoder, ne pas placer de téléviseurs ou d'autres objets lourds sur le dessus de ce produit.
- * Ne jamais laisser les enfants grimper ou se suspendre aux tiroirs, portes ou étagères.
- * Ne jamais ouvrir plus d'un tiroir à la fois.
- * Ne pas déjouer ou enlever le système de verrou du tiroir.
- * L'utilisation de dispositif de retenue peut seulement réduire, mais non éliminer le risque de renversement.

ENTRETIEN ET NETTOYAGE

Époussetez régulièrement avec un chiffon doux et sans charpie pour empêcher la poussière de s'accumuler. Essuyez immédiatement. N'utilisez pas des produits nettoyants abrasifs sur le cadre de métal, car cela pourrait endommager la finition. Une exposition excessive au soleil et aux changements extrêmes de température et de l'humidité peut endommager le bois.

ENTRETIEN

Veuillez vérifier les boulons et les vis périodiquement et serrez-les si cela s'avère nécessaire.

GARANTIE LIMITÉE

Dorel garantit que ce produit est exempt de tout défaut de matériaux et de fabrication et s'engage à remédier à un tel défaut. Cette garantie a une validité de 1 an à compter de la date originelle d'achat. Cette garantie est valide uniquement sur présentation de la preuve d'achat. Elle est strictement limitée à la réparation ou remplacement de pièces défectueuses et ne couvre pas les travaux d'assemblage. Cette garantie ne s'applique pas à un produit qui a été assemblé incorrectement, qui a fait l'objet d'un mauvais usage ou d'abus, qui a été modifié ou réparé. Cette garantie vous accorde des droits légaux spécifiques, mais vous pouvez avoir d'autres droits qui varient selon les États.

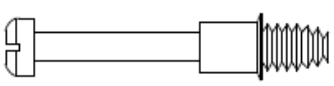


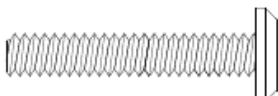



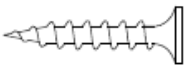
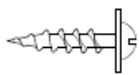

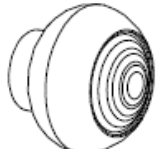
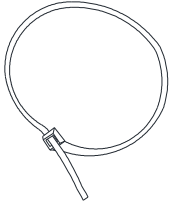


MISE EN GARDE : Si ce produit est endommagé, et/ou il lui manque des composantes ou elles sont brisées, NE L'UTILISEZ PAS.

Commode 6 tiroirs

DA7608-1SIL

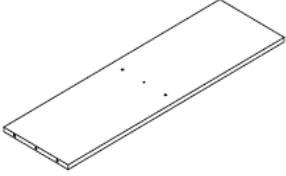
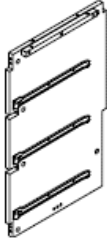
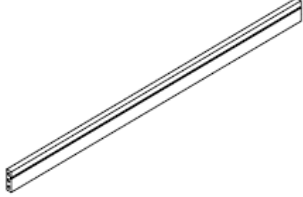
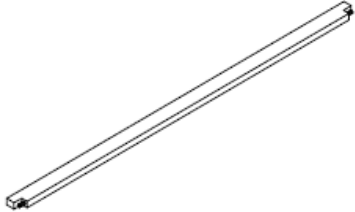
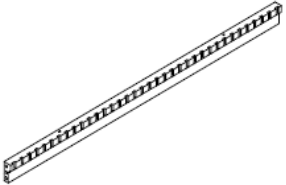
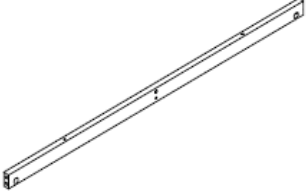
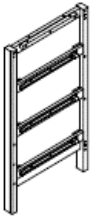

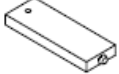
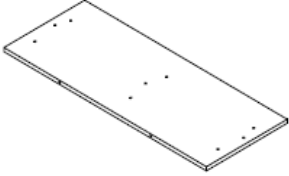
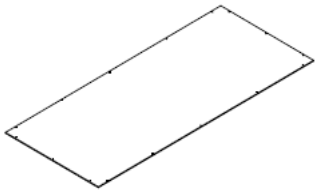
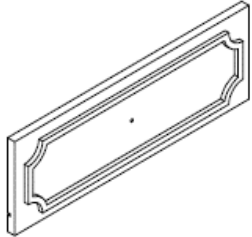
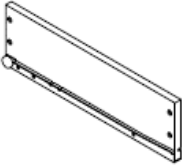
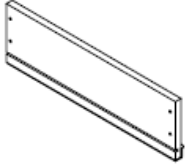
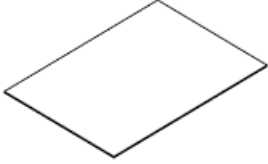
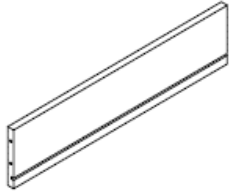
LISTE DE QUINCAILLERIE

1		2	 Ø8 X 30mm	3	 VERROUILLAGE À CAME 14 PCES
BOULON À CAME 14 PCES		GOUJON DE BOIS 31 PCES			
4	 1/4" x 32mm	5	 CLÉ ALLEN 1 PCE	6	 Ø1/4 X 15 X 1.5mm
BOULON LONG 7 PCES				RONDELLE PLATE 6 PCES	
7	 Ø1/4 X 1mm	8	 Ø4 X 25mm	9	 Ø3 X 15mm
RONDELLE À RESSORT 6 PCES		VIS 52 PCES		VIS 16 PCES	
10	 Ø5/32" x 32mm	11	 BOUTON 6 PCES	12	 COURROIE DE SÉCURITÉ 1 KIT
BOULON COURT 6 PCES					

Commode 6 tiroirs

DA7608-1SIL

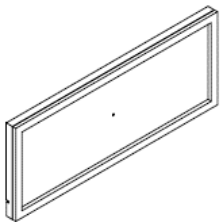
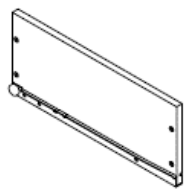
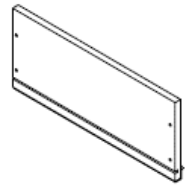
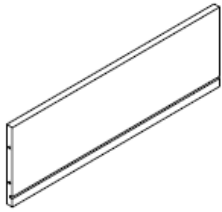
LISTE DE PIÈCES

<p>A</p> 	<p>B</p> 	<p>C</p> 	<p>D</p> 
<p>PANNEAU INFÉRIEUR ARRIÈRE - 1 PCE</p>	<p>PANNEAU CENTRAL 1 PCE</p>	<p>BARRE INFÉRIEURE AVANT - 1 PCE</p>	<p>BARRE CENTRALE AVANT 2 PCES</p>
<p>E</p> 	<p>F</p> 	<p>G</p> 	<p>H</p> 
<p>BARRE SUPÉRIEURE AVANT - 1 PCE</p>	<p>BARRE SUPÉRIEURE ARRIÈRE - 1 PCE</p>	<p>PANNEAU LATÉRAL DROIT 1 PCE</p>	<p>PANNEAU LATÉRAL GAUCHE 1 PCE</p>
<p>I</p> 	<p>J</p> 	<p>K</p> 	<p>L</p> 
<p>PIED DE SUPPORT 1 PCE</p>	<p>DESSUS DE COMMODE 1 PCE</p>	<p>PANNEAU SUPÉRIEUR ARRIÈRE - 1 PCE</p>	<p>DEVANT TIROIR SUPÉRIEUR 2 PCES</p>
<p>M</p> 	<p>N</p> 	<p>O</p> 	<p>P</p> 
<p>CÔTÉ GAUCHE TIROIR SUPÉRIEUR - 2 PCES</p>	<p>CÔTÉ DROIT TIROIR SUPÉRIEUR - 2 PCES</p>	<p>FOND DE TIROIR 6 PCES</p>	<p>CÔTÉ ARRIÈRE TIROIR SUP ÉRIEUR - 2 PCES</p>

Commode 6 tiroirs

DA7608-1SIL

LISTE DE PIÈCES

Q 	R 	S 	T 
DEVANT TIROIR INFÉRIEUR 4 PCES	CÔTÉ GAUCHE TIROIR INFÉRIEUR 4 PCES	CÔTÉ DROIT TIROIR INFÉRIEUR 4 PCES	CÔTÉ ARRIÈRE TIROIR INFÉRIEUR 4 PCES

Commode 6 tiroirs

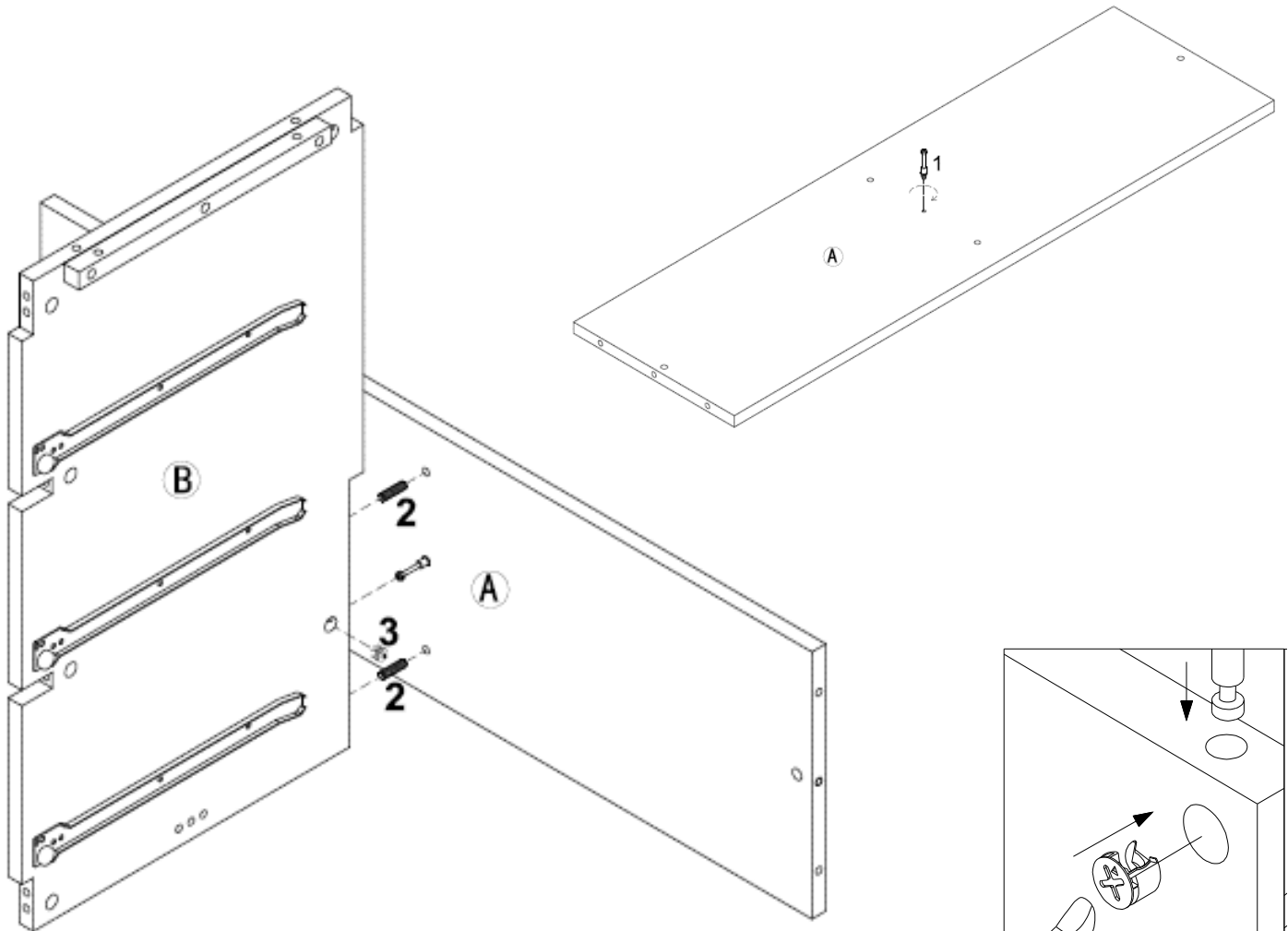
DA7608-1SIL

ÉTAPA 1

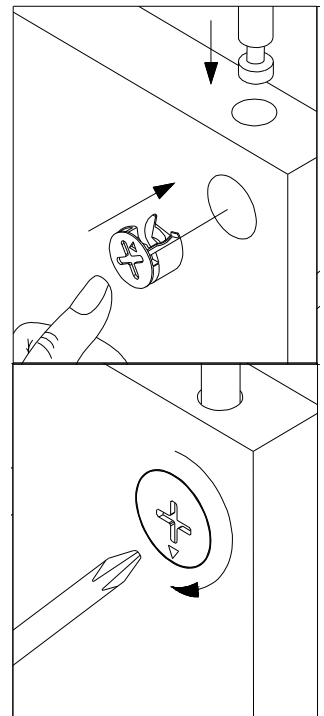
Insérez un boulon à came (1) dans le panneau inférieur arrière (A) tel qu'illustré.

Insérez un verrouillage à came (3) dans le panneau central inférieur (B).

Attachez le panneau central inférieur (B) au panneau inférieur arrière (A) avec des goujons de bois (2) tel qu'illustré. Fixez le panneau central inférieur (B) en tournant le verrouillage à came (3) 1/2 tour dans le sens des aiguilles d'une montre à l'aide d'un tournevis cruciforme (non compris).



1		1 PC
2		2 PCS
3		1 PC

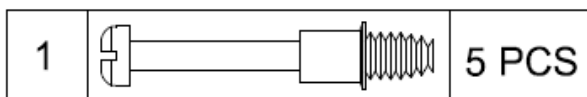
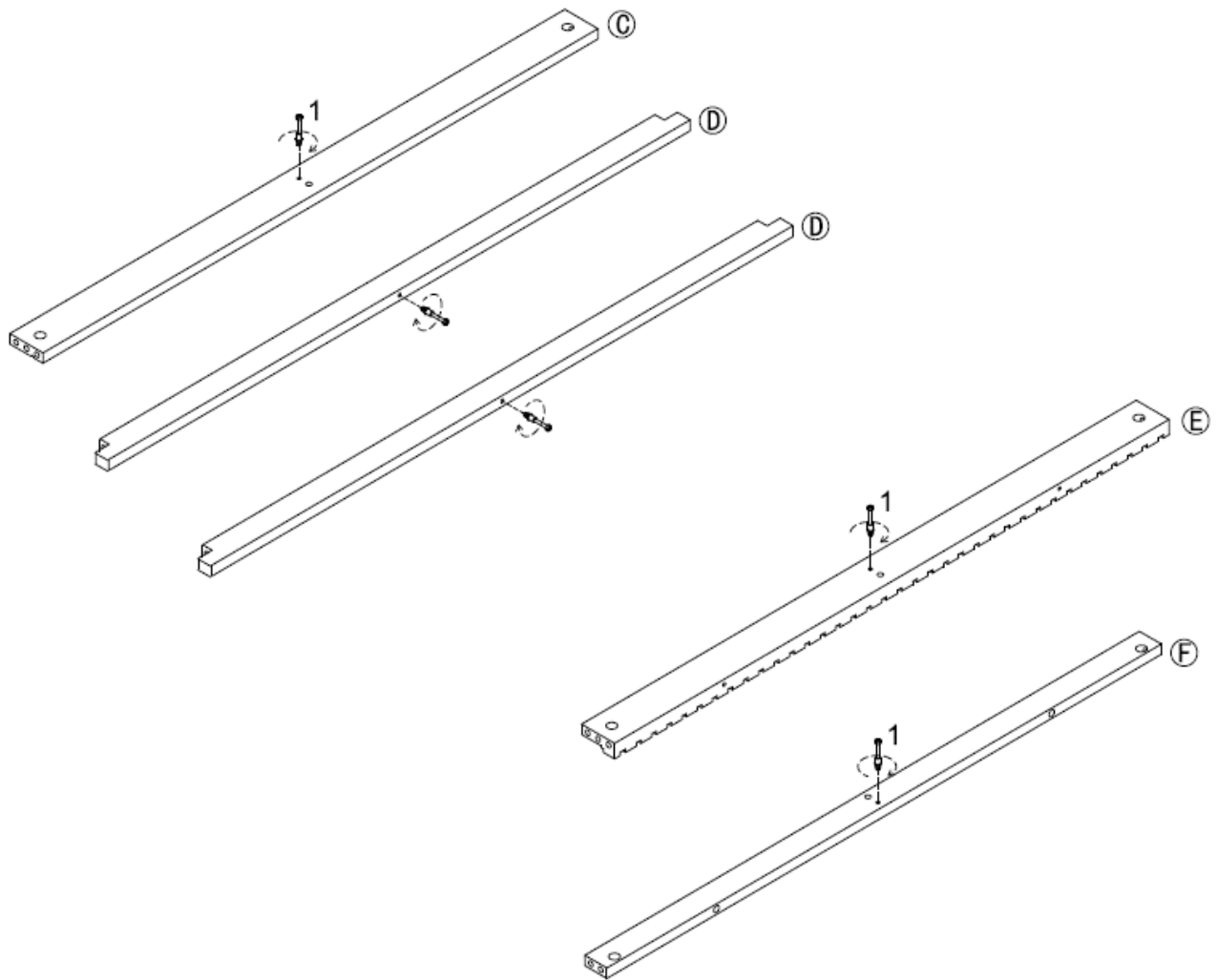


Commode 6 tiroirs

DA7608-1SIL

ÉTAPE 2

Insérez des boulons à came (1) dans la barre inférieure avant (C), dans les barres centrales avant (D), dans la barre supérieure avant (E) et dans la barre supérieure arrière (F) tel qu'illustré.



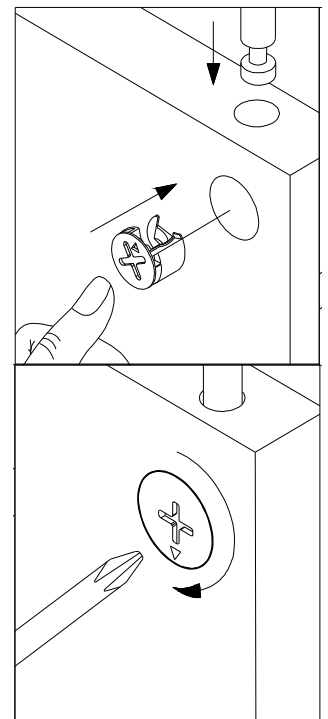
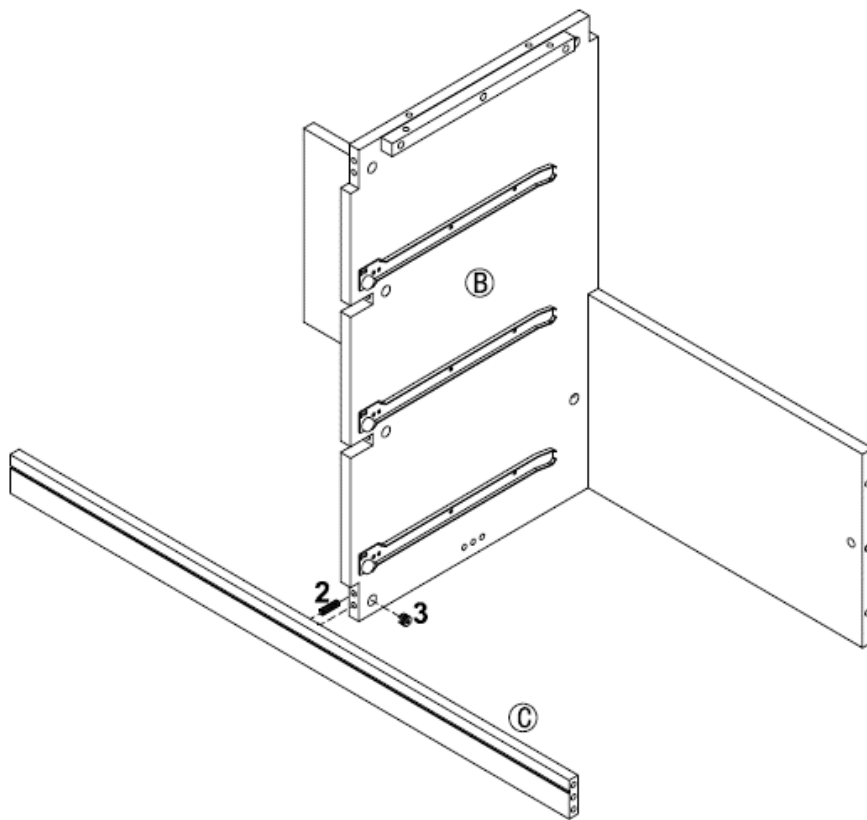
Commode 6 tiroirs

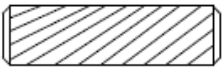

DA7608-1SIL

ÉTAPE 3

Insérez un verrouillage à came (3) dans le panneau central (B) tel qu'illustré.

Attachez la barre inférieure avant (C) au panneau central (B) avec un goujon de bois (2) tel qu'illustré. Fixez la barre en tournant le verrouillage à came (3) installé dans le panneau central (B) 1/2 tour dans le sens des aiguilles d'une montre à l'aide d'un tournevis cruciforme (non compris).



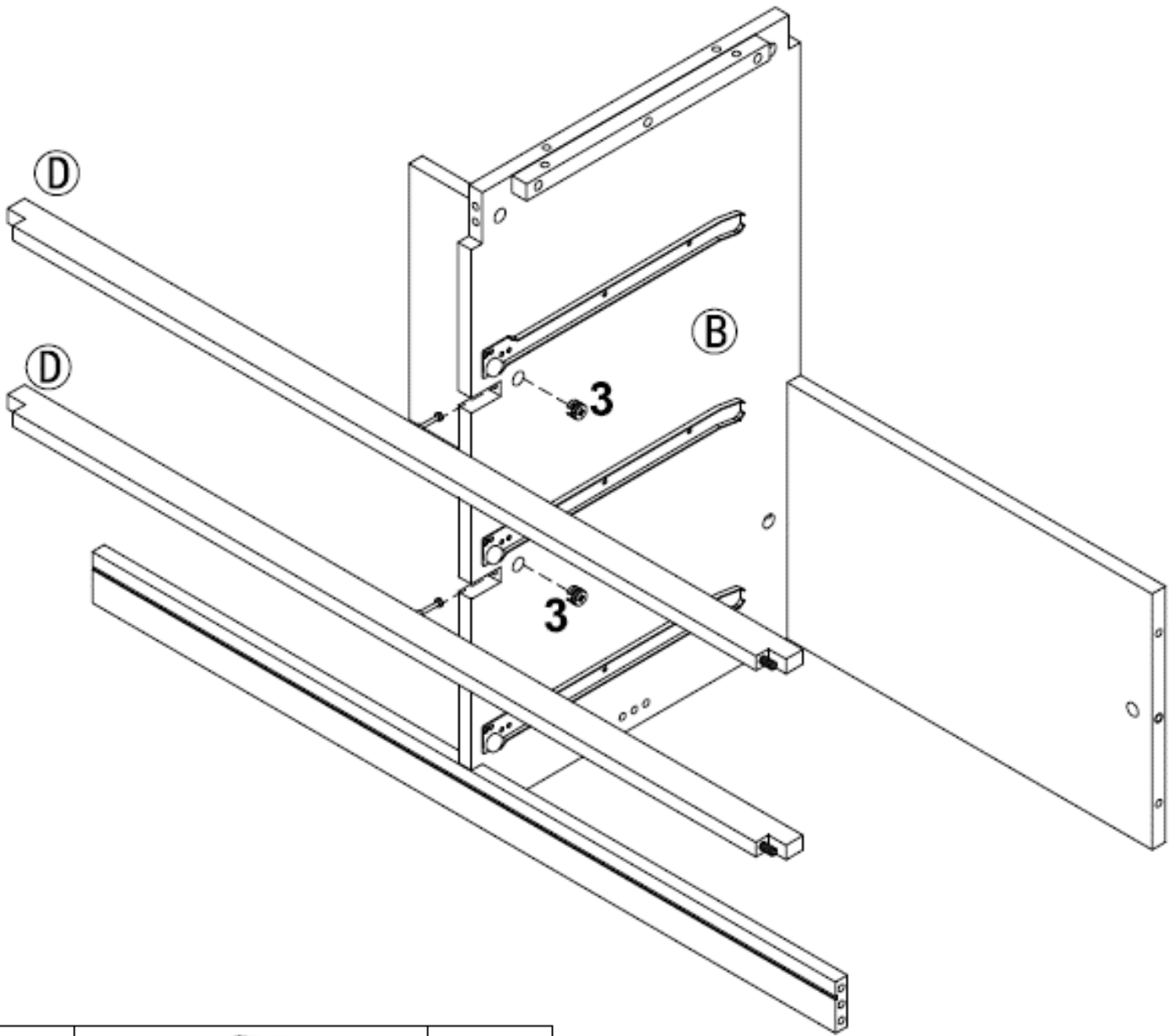
2		1 PC
3		1 PC


Commode 6 tiroirs

DA7608-1SIL

ÉTAPE 4

Insérez des verrouillages à came (3) dans le panneau central (B) tel qu'illustré. Attachez les barres centrales avant (D) au panneau central (B) en tournant les verrouillages à came (3) installés dans le panneau central (B) 1/2 tour dans le sens des aiguilles d'une montre à l'aide d'un tournevis cruciforme (non compris).



3		2 PCS
---	---	-------

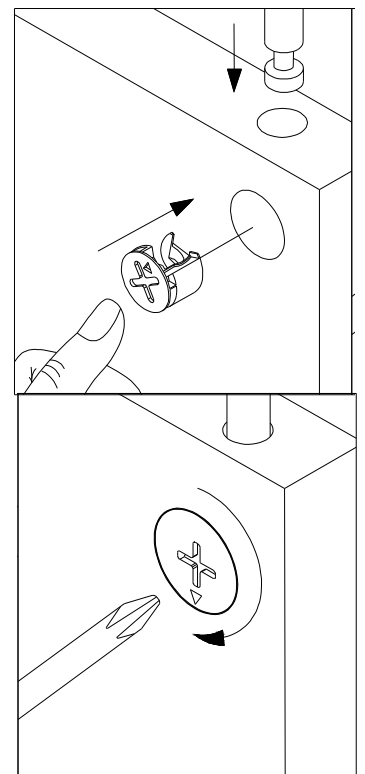
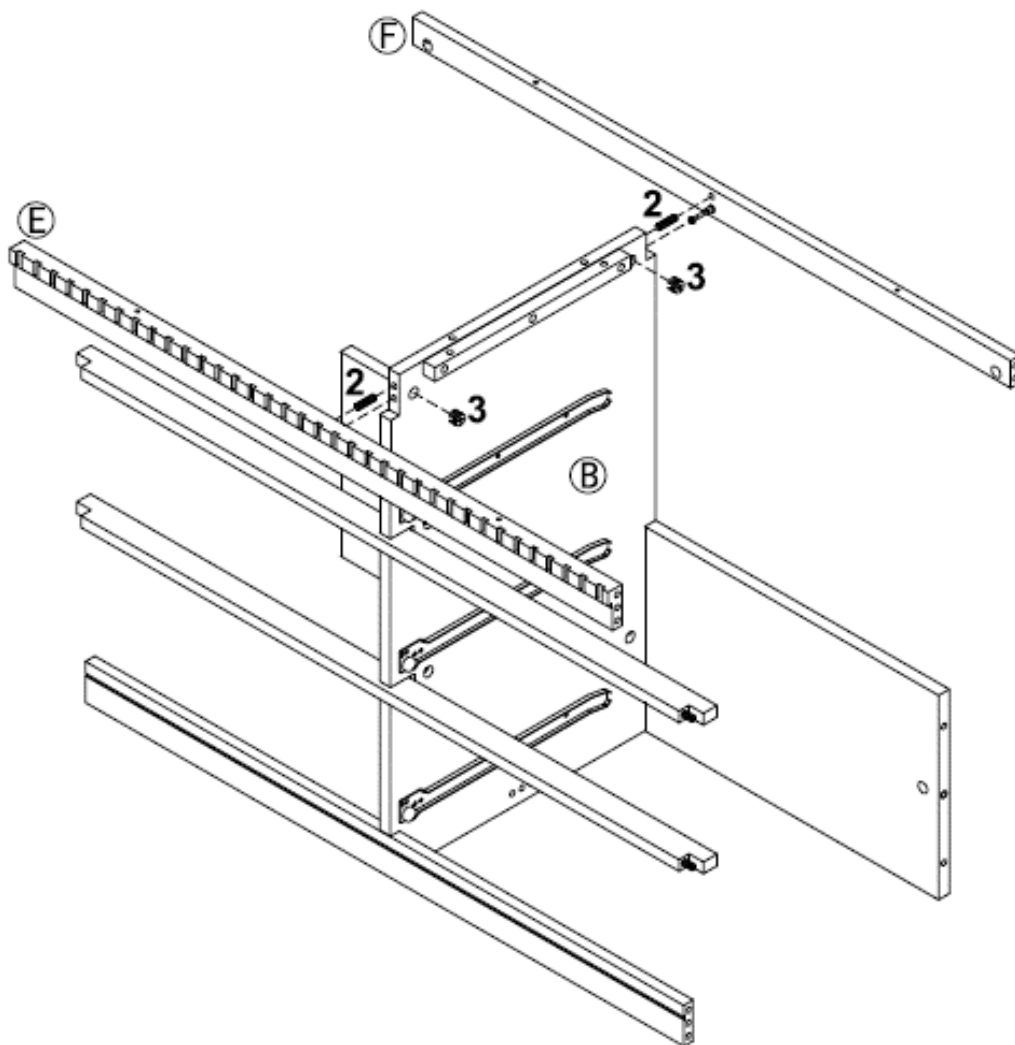
Commode 6 tiroirs

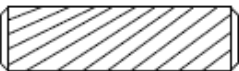

DA7608-1SIL

ÉTAPE 5

Insérez des verrouillages à came (3) et des goujons de bois (2) dans le panneau central (B) tel qu'illustré.

Attachez les barres supérieures avant et arrière (E et F) au panneau central (B) en tournant les verrouillages à came (3) installés dans le panneau central (B) 1/2 tour dans le sens des aiguilles d'une montre à l'aide d'un tournevis cruciforme (non compris).



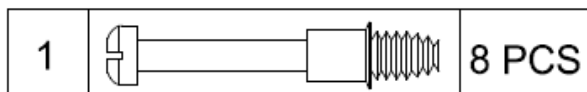
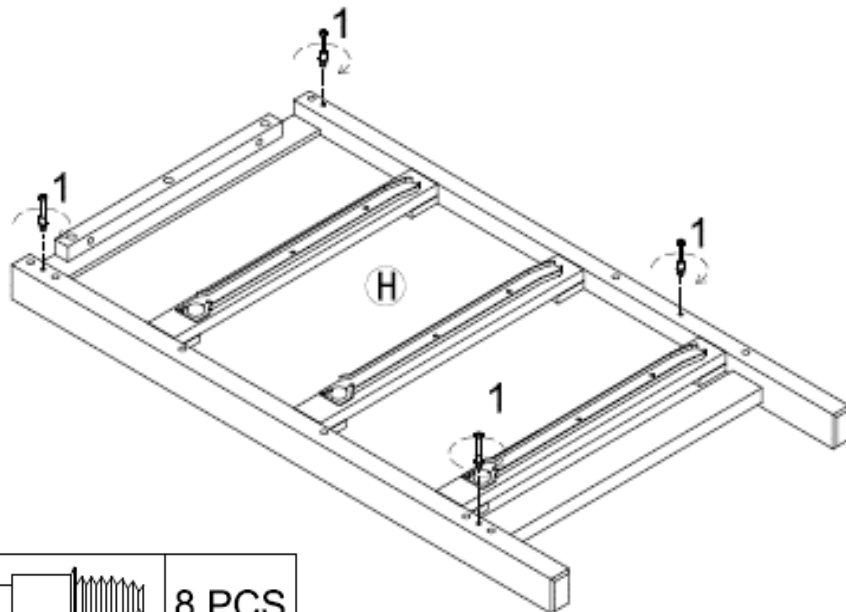
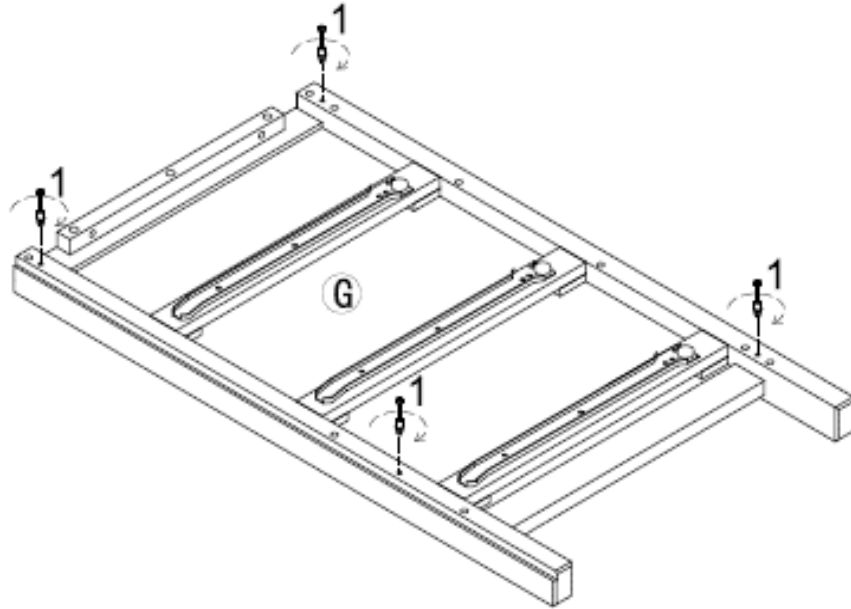
2		2 PCS
3		2 PCS

Commode 6 tiroirs

DA7608-1SIL

ÉTAPE 6

Insérez des boulons à came (1) dans les panneaux latéraux droit et gauche (G et H) tel qu'illustré.



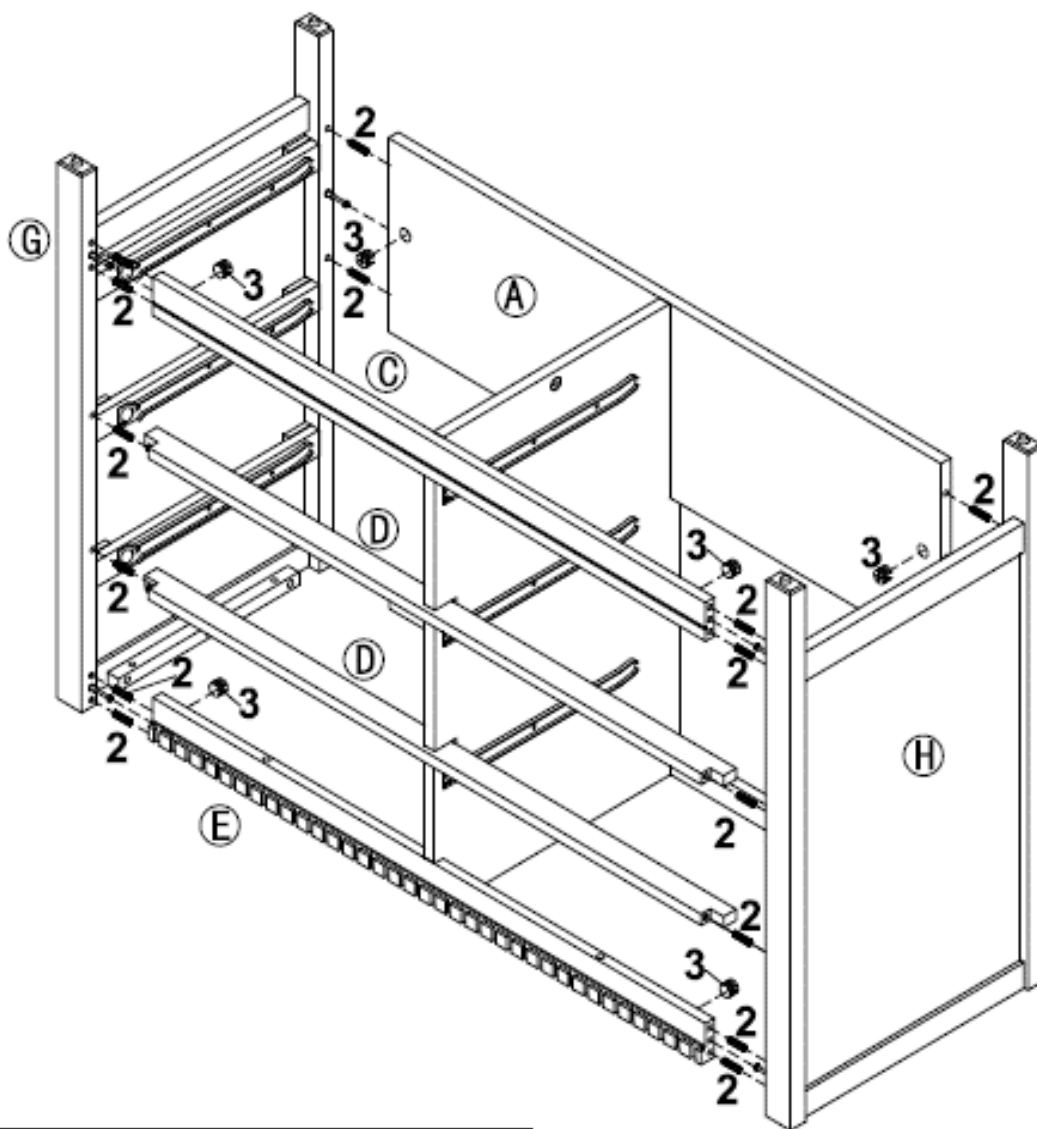
Commode 6 tiroirs

DA7608-1SIL

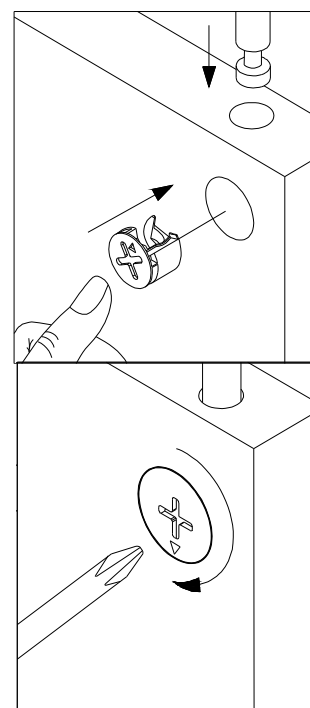
ÉTAPA 7

Insérez des goujons de bois (2) et des verrouillages à came (3) dans les panneaux latéraux (G et H), dans les barres supérieure et inférieure avant (C et E) et dans le panneau inférieur arrière (A) tel qu'illustré. Attachez les panneaux latéraux (G et H) à l'unité déjà assemblée.

Fixez les panneaux latéraux (G et H) avec l'unité assemblée en tournant les verrouillages à came (3) 1/2 tour dans le sens des aiguilles d'une montre à l'aide d'un tournevis cruciforme (non compris).



2		18 PCS
3		8 PCS



Commode 6 tiroirs

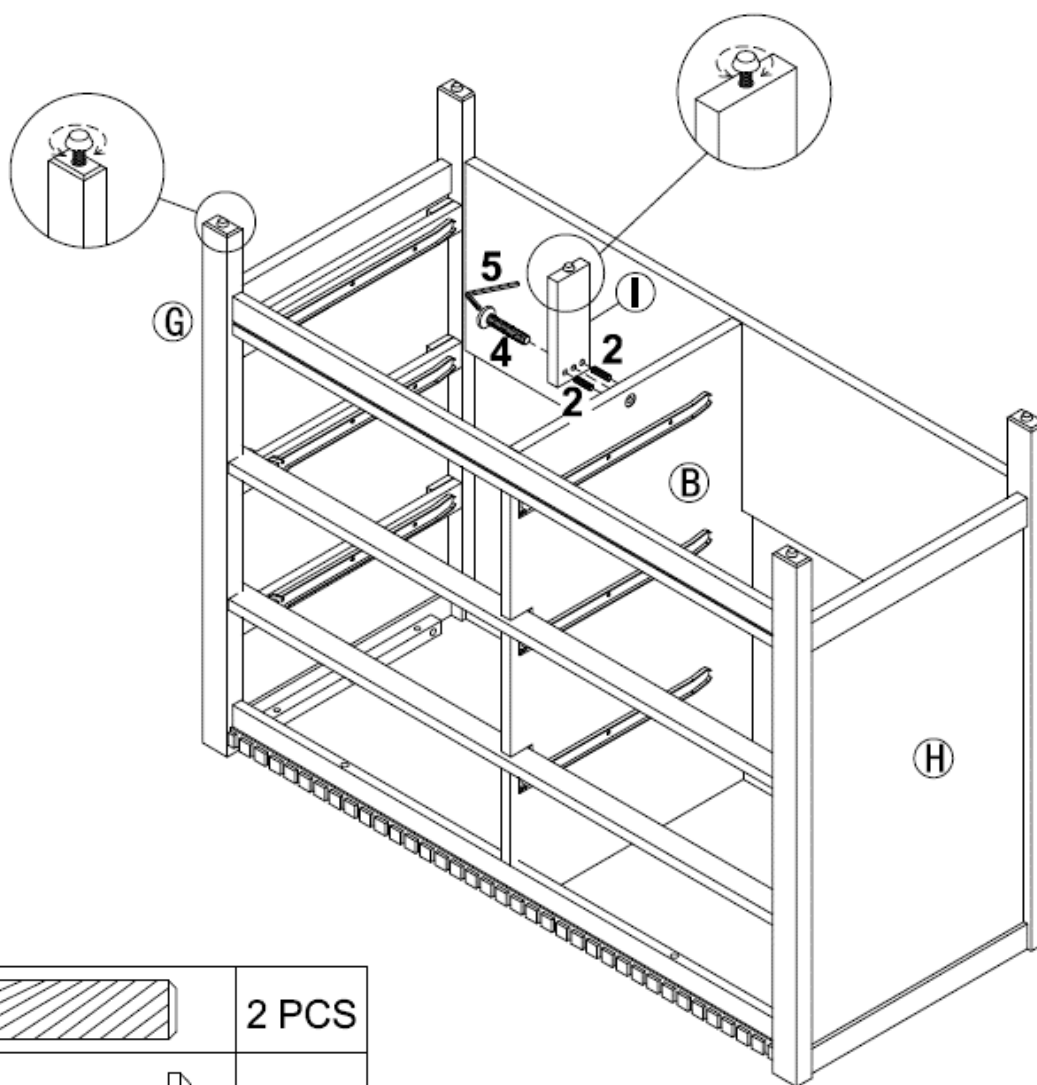
DA7608-1SIL




ÉTAPE 8

Attachez le pied de support (I) au panneau central (B) avec un long boulon (4) et des goujons de bois (2) tel qu'illustré.

Serrez les boulons à l'aide de la clé Allen (5).

NOTE- Le pied de support (I) et les panneaux latéraux (G et H) sont munis de niveleurs ajustables. Une fois l'assemblage complété et la commode placée à l'endroit désiré, tournez les niveleurs ajustables dans le sens des aiguilles d'une montre ou dans le sens contraire, jusqu'à ce que la commode repose de façon stable sur le plancher.



2		2 PCS
4		1 PC
5		

Commode 6 tiroirs

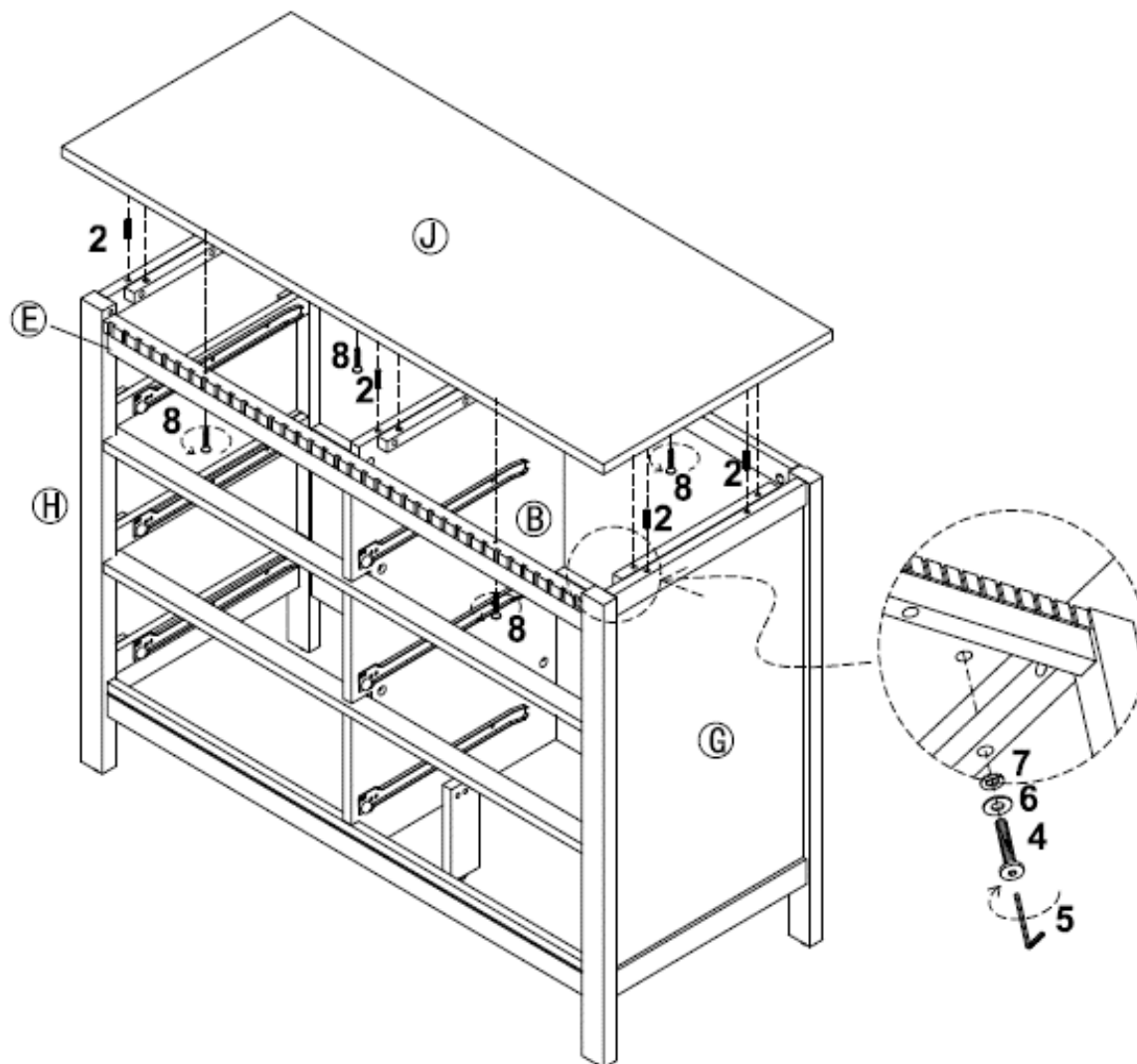
DA7608-1SIL




ÉTAPE 9


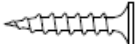

Insérez des goujons de bois (2) dans les panneaux latéraux et le panneau central (B, G et H) tel qu'illustré.

Placez le dessus de la commode (J) sur la commode déjà assemblée.

Fixez le dessus de la commode (J) sur la commode assemblée avec des vis (8), de longs boulons (4), des rondelles plates (6) et des rondelles à ressort (7) à l'aide de la clé Allen (5). Serrez-vous d'un tournevis cruciforme (non compris) pour serrer les vis (8).



2		6 PCS
4		6 PCS
6		6 PCS

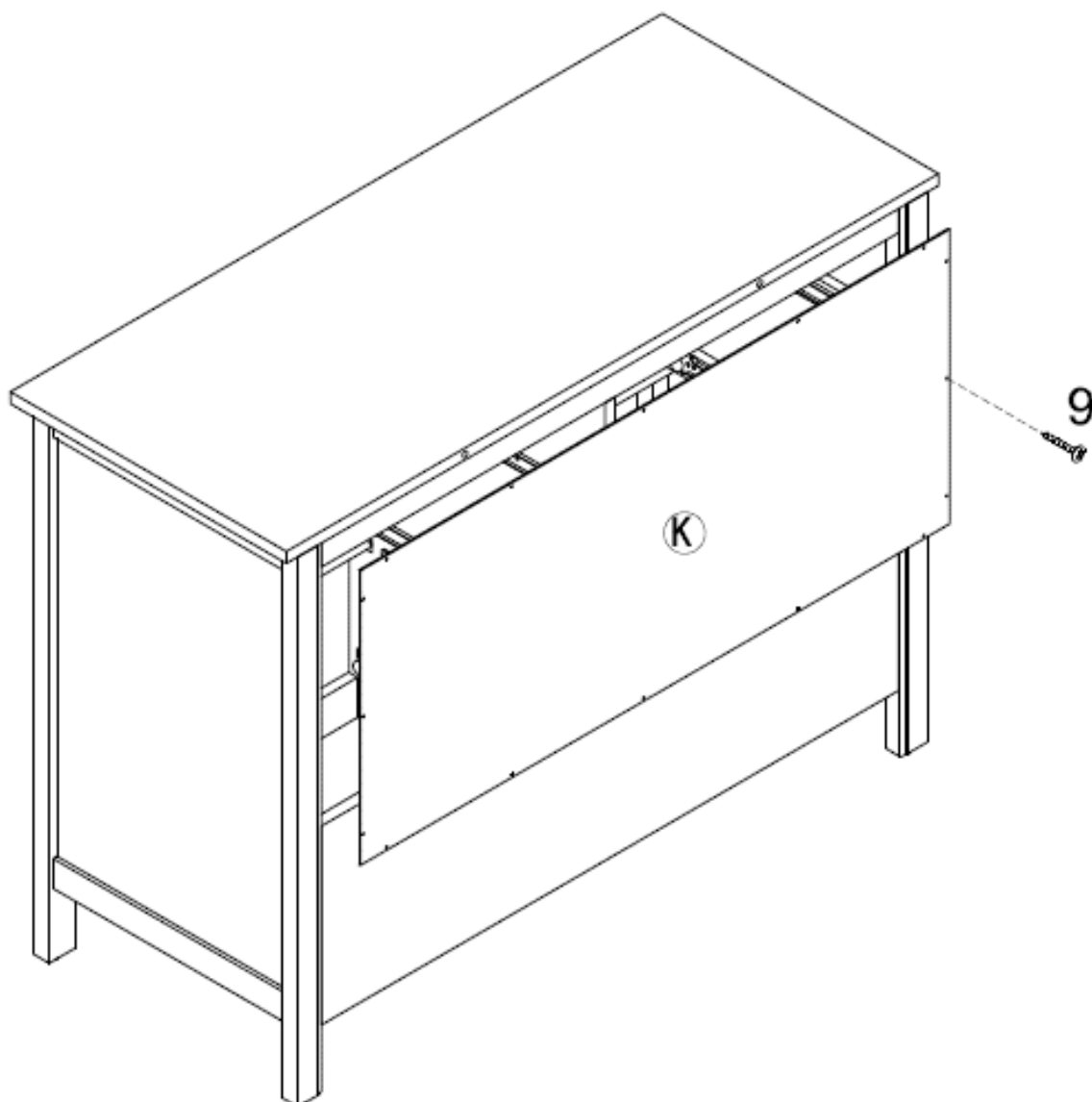
7		6 PCS
8		4 PCS
5		

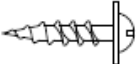
Commode 6 tiroirs DA7608-1SIL

ÉTAPE 10

Attachez le panneau supérieur arrière (K) à la commode déjà assemblée avec des vis (9) tel qu'illustré.

Servez-vous d'un tournevis cruciforme (non compris) pour serrer les vis.



9		16 PCS
---	---	--------

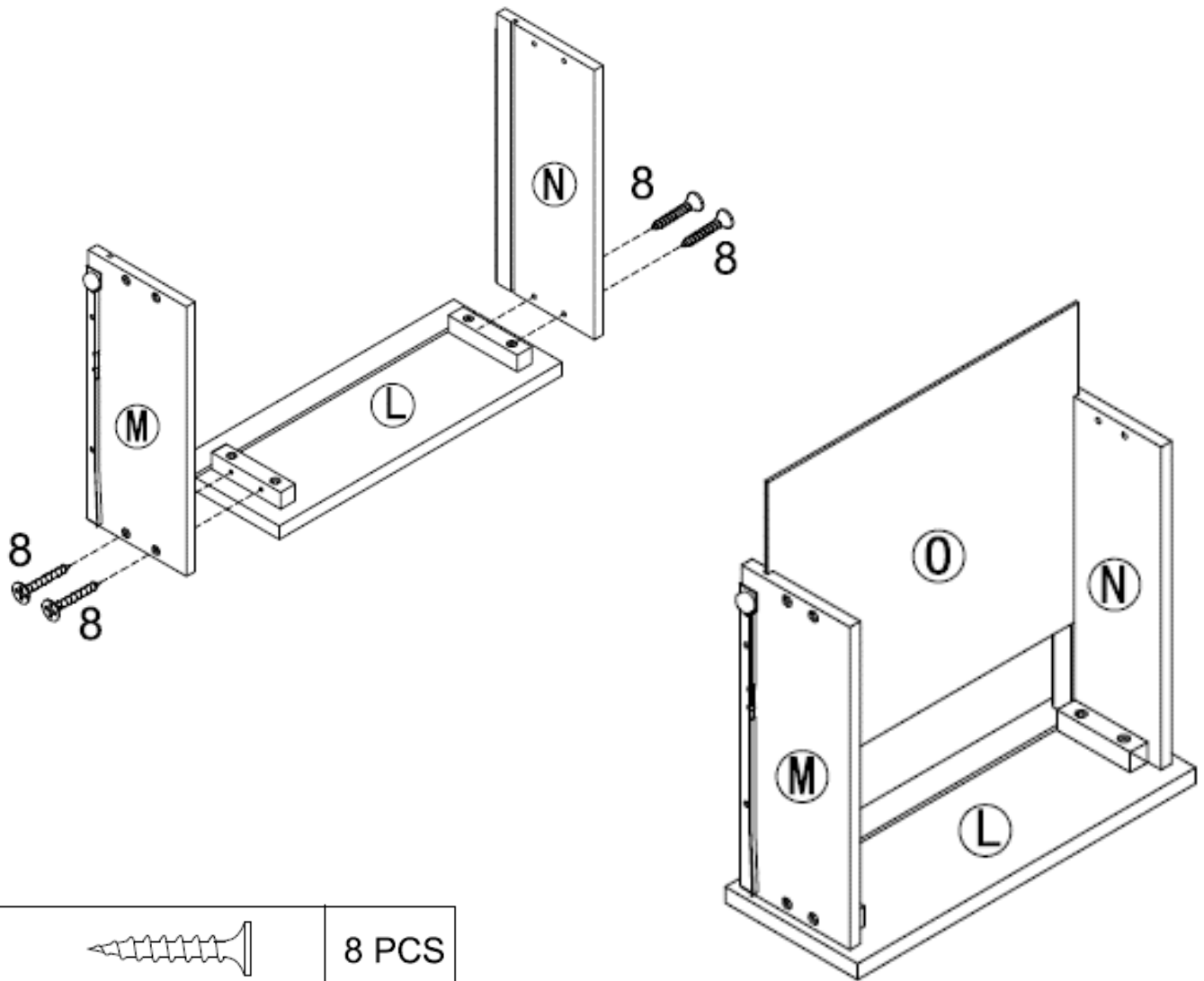
Commode 6 tiroirs

DA7608-1SIL

ÉTAPE 11

Attachez les côtés gauche et droit du tiroir supérieur (M et N) avec le devant du tiroir supérieur (L). Fixez les côtés du tiroir à l'aide d'un tournevis cruciforme (non compris).

Glissez le fond du tiroir (O) dans les rainures des côtés gauche et droit du tiroir supérieur (M et N) et du devant du tiroir supérieur (L).



Commode 6 tiroirs

DA7608-1SIL

ÉTAPE 12

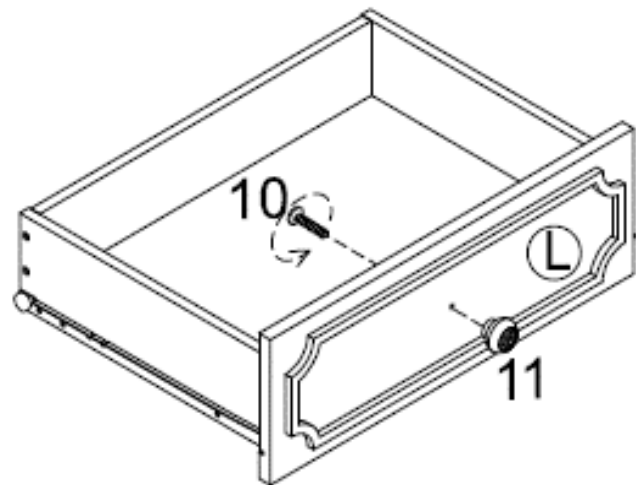
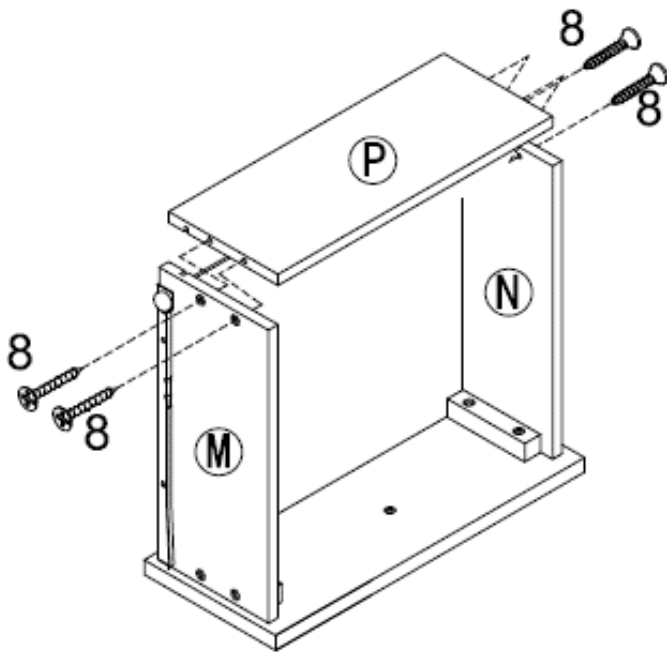
Attachez le côté arrière du tiroir supérieur (P) aux côtés du tiroir (M et N) avec des vis (8).

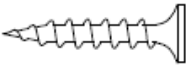


Servez-vous d'un tournevis cruciforme (non compris) pour serrer les vis.

Placez un bouton (11) sur le devant du tiroir (L) avec un boulon (10).

Servez-vous d'un tournevis cruciforme (non compris) pour serrer le boulon.

Répétez les étapes 11 et 12 pour assembler l'autre tiroir supérieur.



8		8 PCS
10		2 PCS
11		2 PCS

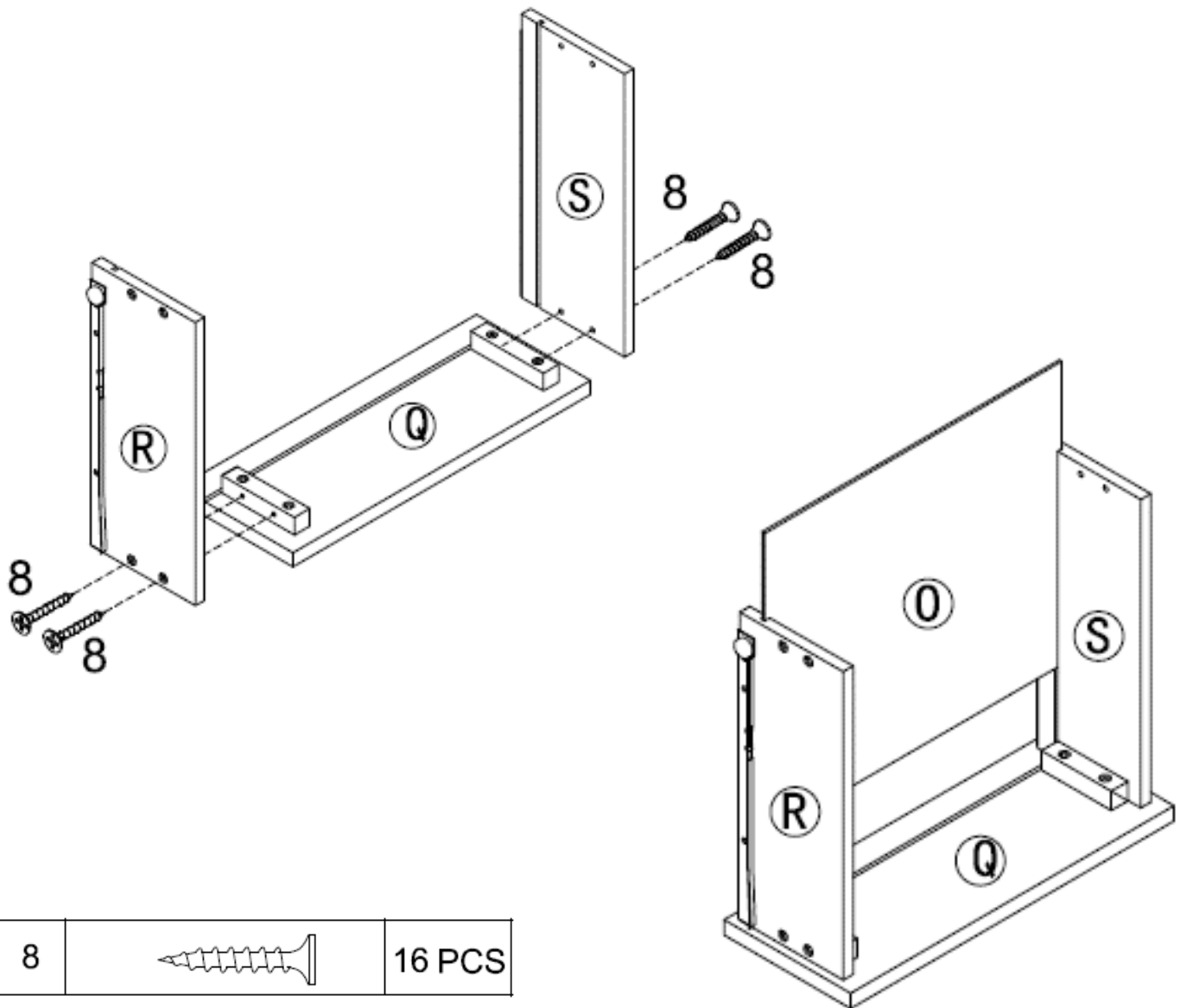
Commode 6 tiroirs

DA7608-1SIL

ÉTAPE 13

Attachez les côtés gauche et droit du tiroir inférieur (R et S) avec le devant du tiroir inférieur (Q). Fixez les côtés du tiroir à l'aide d'un tournevis cruciforme (non compris).

Glissez un fond de tiroir (O) dans les rainures des côtés gauche et droit du tiroir inférieur (R et S) et du devant du tiroir inférieur (Q).



Commode 6 tiroirs

DA7608-1SIL

ÉTAPE 14

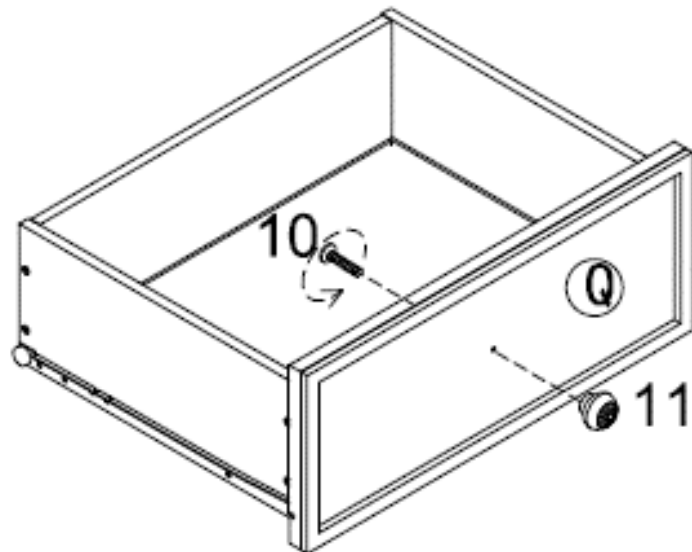
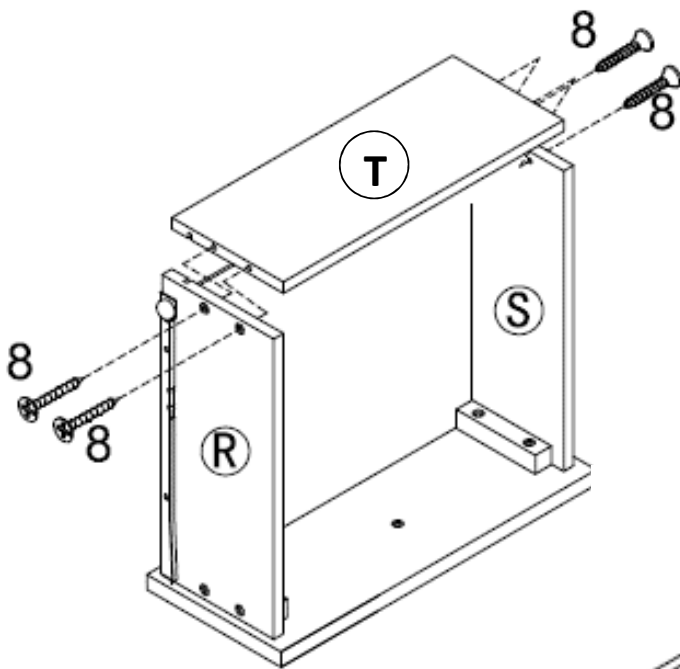
Attachez le côté arrière du tiroir inférieur (T) avec les côtés du tiroir (R et S) avec des vis (8).

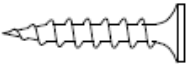


Servez-vous d'un tournevis cruciforme (non compris) pour serrer les vis.

Placez un bouton (11) sur le devant du tiroir (Q) avec un boulon (10).

Servez-vous d'un tournevis cruciforme (non compris) pour serrer le boulon.

Répétez les étapes 13 et 14 pour assembler les autres tiroirs inférieurs.

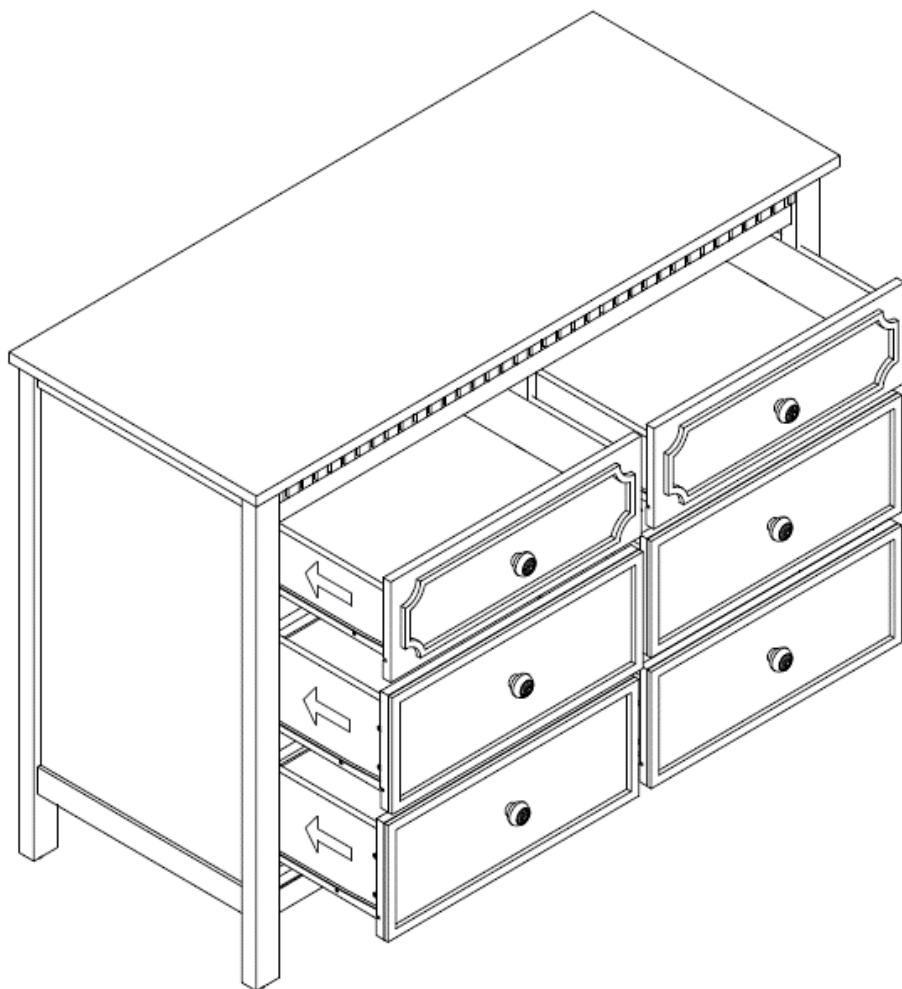


8		16 PCS
10		4 PCS
11		4 PCS

Commode 6 tiroirs DA7608-1SIL

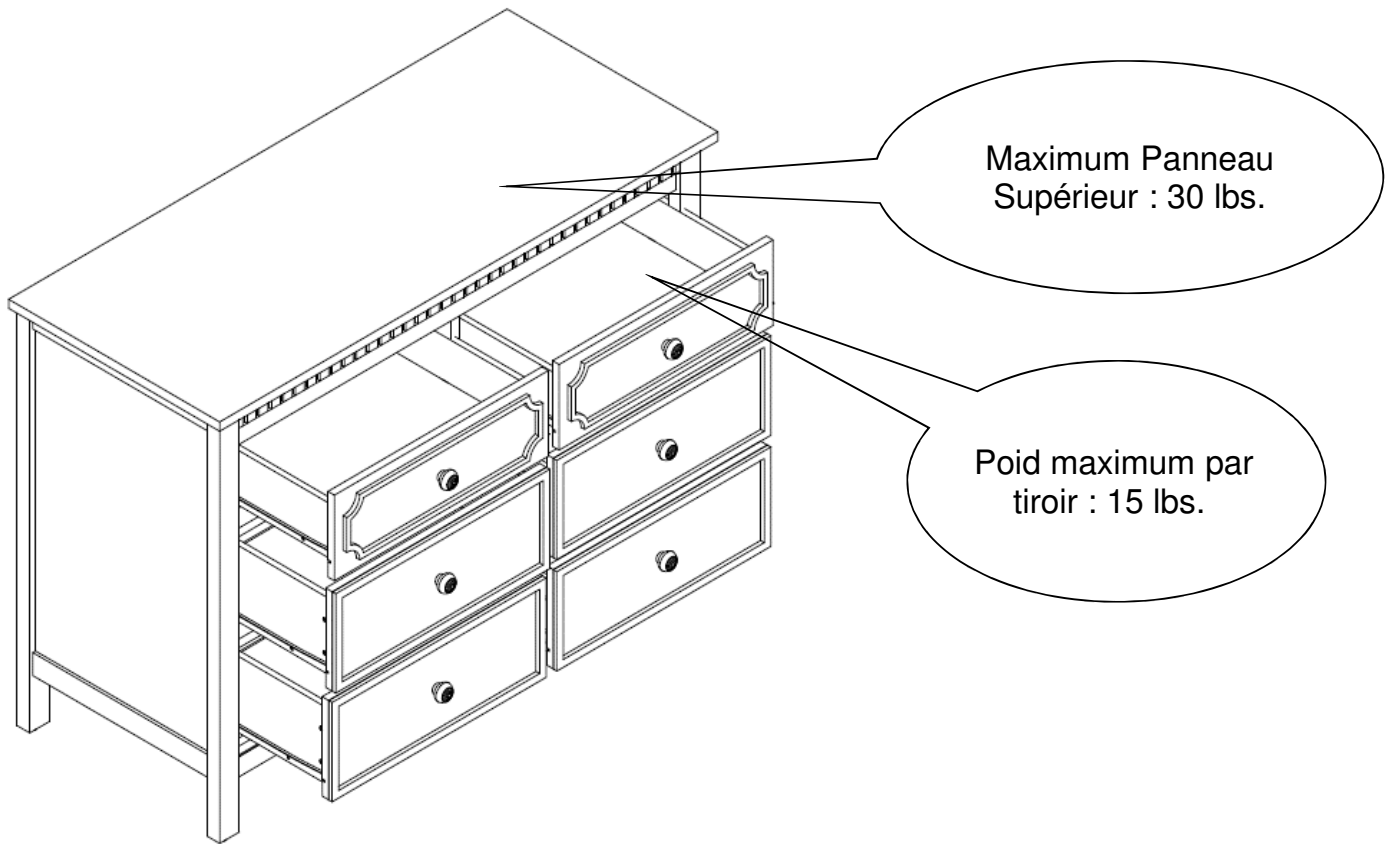
ÉTAPE 15

Placez tous les tiroirs dans la commode assemblée.



Commode 6 tiroirs DA7608-1SIL

! ATTENTION: Cette unité est conçue pour être utilisée seulement avec les produits et/ou les poids maximum indiqués. L'utilisation avec d'autres produits et/ou des produits plus lourds que les poids maximum indiqués peut entraîner de l'instabilité et causer des blessures.



Voilà! Vous avez terminé d'assembler votre commode 6 tiroirs.

NE PAS RETOURNER LE PRODUIT AU MAGASIN.
Si une pièce est manquante ou endommagée, contactez
notre Service à la clientèle. Nous remplacerons la pièce
GRATUITEMENT.



Tél #: 1-800-295-1980
Courriel: das@dorel.com
Télécopieur #: 514-353-7819

MODÈLE #: DA7608-1SIL

Service à la Clientèle

S.V.P. NE PAS RETOURNER CE PRODUIT AU MAGASIN

S.V.P. CONTACTEZ NOS REPRÉSENTANTS DU SERVICE À LA CLIENTÈLE AUX NUMÉROS SUIVANTS SI VOUS AVEZ DES PIÈCES MANQUANTES OU DÉFECTUEUSES.

No. de téléphone du Service à la clientèle: 1-800-295-1980 Courriel: das@dorel.com
No. du télécopieur du Service à la clientèle: 514-353-7819

Date de la demande :

Nom :

Adresse de livraison :
Numéro & Rue :
Ville & Province :
Code Postal :

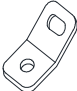



No. de téléphone (jour) :
(incluant le code régional)

Date & Nom du Magasin :

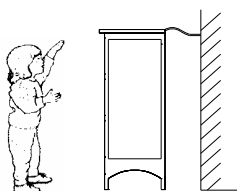
Description & quantité de pièce(s): S.V.P. ne pas oublier le numéro de modèle ou de SKU)

Adresse postale du Service à la clientèle :
Département du Service à la clientèle No. 413, 12345, boul. Albert-Hudon, Suite 100, Montréal, QC, H1G 3L1

Sangle de sécurité pour ancrer le meuble au mur

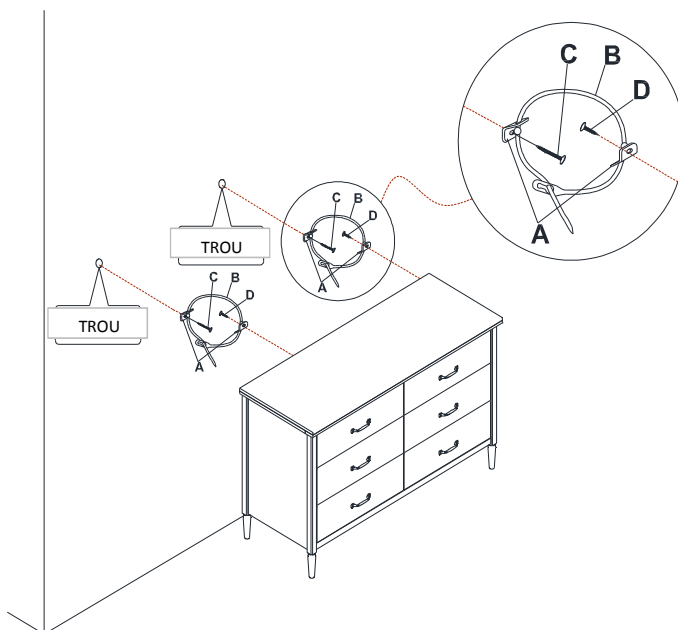
A 	B 	C 	D 
CROCHET DE MÉTAL 4 PCES	SANGLE DE SÉCURITÉ POUR LE MUR 2 PCES	VIS LONGUE 2 PCES	VIS COURTE 2 PCES

OUTILS NÉCESSAIRES: LE MAILLET EN CAOUTCHOUC ET LE TOURNEVIS PHILLIPS NE SONT PAS COMPRIS. FOURNIES.



⚠ AVERTISSEMENT: LORSQUE DEBOUT, IL EST POSSIBLE QUE LE MEUBLE PUISSE BASCULER. VEUILLEZ INSTALLER LA SANGLE DE SÉCURITÉ POUR LE MUR DERRIÈRE LE MEUBLE POUR EN ASSURER DE LA SÉCURITÉ.

VEUILLEZ LIRE TOUTES LES INSTRUCTIONS AVEC ATTENTION AVANT D'UTILISER CE PRODUIT ET VEUILLEZ LES GARDER POUR RÉFÉRENCE FUTURE. SI VOUS AVEZ DES QUESTIONS, VEUILLEZ APPELER NOTRE NUMÉRO DE SERVICE AUX CLIENTS : 1-800-295-1980.



- ÉTAPE 1:** À L'AIDE DE LA VIS COURTE (D), FIXEZ FERMEMENT UN CROCHET DE MÉTAL (A) À LA BARRE TRANSVERSALE SUPÉRIEURE POSTÉRIEURE DU MEUBLE, À TRAVERS LE TROU LE PLUS PETIT.
- ÉTAPE 2:** À L'AIDE D'UN ANCRAGE, PLACEZ L'AUTRE CROCHET DE MÉTAL (A) SUR LE MUR 2 POUCES EN-DESSOUS DU CROCHET DÉJÀ FIXÉ À LA PARTIE POSTÉRIEURE DU MEUBLE. FIXEZ À L'ENCRAGE DU MUR À L'AIDE DE LA VIS LONGUE (C), À TRAVERS LE TROU LE PLUS PETIT.
- ÉTAPE 3:** PLACEZ LE MEUBLE DANS SA POSITION DE FAÇON À VOUS ASSURER QUE LES DEUX CROCHETS SOIENT ALIGNÉS VERTICALEMENT. LACEZ LE BOUT DE LA SANGLE DE SÉCURITÉ (B) À TRAVERS DU TROU LE PLUS GRAND DE CHAQUE CROCHET (A). RAMENEZ LES DEUX BOUTS ENSEMBLE ET GLISSEZ LE BOUT PLAT À TRAVERS L'EXTRÉMITÉ DE FIXATION JUSQU'À CE QU'ELLE SOIT BIEN SERRÉE.
- ÉTAPE 4:** ASSUREZ-VOUS QUE LA SANGLE SOIT BIEN LACÉE ET SERRÉE. POUR DÉPLACER LE MEUBLE APRÈS AVOIR INSTALLÉ LA SANGLE AU MUR, SIMPLEMENT RETIREZ LA VIS (A) DU MUR POUR DESSERRER LE SANGLE DE SÛRETÉ.