

# INSTRUCTION MANUAL

---

# bertini®

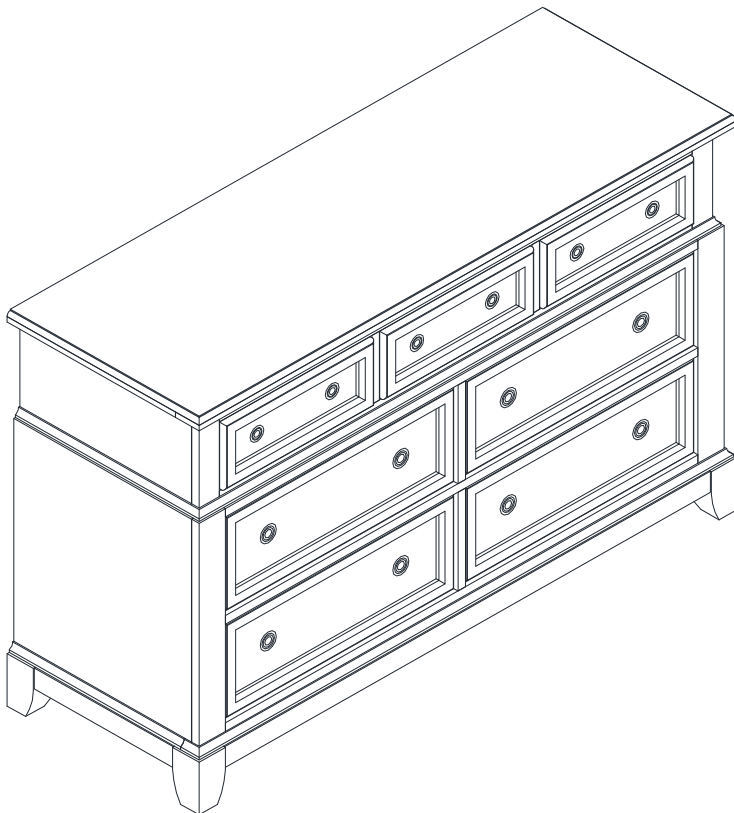
## Lafayette 7 Drawer Dresser

**Model No:**

BR1510-1 (White Linen)

**UPC CODE:**

0-65857-17364-2



**NOTE:**

THIS INSTRUCTION BOOKLET  
CONTAINS **IMPORTANT** SAFETY  
INFORMATION. PLEASE READ AND  
KEEP FOR FUTURE REFERENCE.

**Lot number:**

(TAKEN FROM CARTON)

**Date of purchase:**

\_\_\_\_ / \_\_\_\_ / \_\_\_\_

[www.bertinibaby.com](http://www.bertinibaby.com)

Contact Customer Service with any  
questions.

1-800-295-1980

[das@dorel.com](mailto:das@dorel.com)

Fax #: 514-353-7819



## CUSTOMER SERVICE

If you have any questions about this product, contact our customer service representative first!



**CALL 1-800-295-1980**

**Customer Service Department No. 413  
12345 Albert-Hudon Boulevard, Suite 100  
Montreal, Quebec  
Canada H1G 3L1**

**E-MAIL: [das@dorel.com](mailto:das@dorel.com)**

## NOTES:

- \* Do not use the unit if it is damaged or broken.
- \* Handling will require two people.
- \* To avoid unnecessary damage, when levelers have been extended, **DO NOT** drag across surface when moving. Be sure to lift and carry the item to its location.

## CARE AND CLEANING

Dust regularly with a soft, lint-free cloth to prevent soil build-up. A damp cloth may be used occasionally to clean surface. Dry immediately. Do not use any abrasives that may damage finish. Excessive exposure to sunlight and extreme changes in temperature and moisture can damage wood furniture.

## MAINTENANCE

Check bolts/screws periodically and tighten them if necessary.

## LIMITED WARRANTY

Dorel warrants its product to be free from defects in material and workmanship and agrees to remedy any such defect. This warranty covers 1 year from the date of original purchase. This warranty is valid only upon presentation of proof of purchase. This is solely limited to the repair or replacement of defective furniture components and no assembly labor is included. This warranty does not apply to any product which has been improperly assembled, subjected to misuse or abuse or which has been altered or repaired in any way. This warranty gives you specific legal rights and you may also have other rights which vary from State to State.

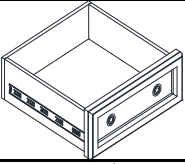
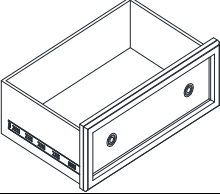
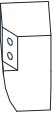




**WARNING: Should this product become damaged, and/or components are broken or missing, DO NOT USE.**


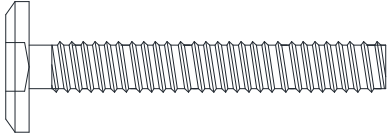

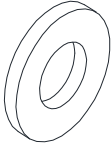
# Lafayette 7 Drawer Dresser

## BR1510-1

### PARTS LIST

NO.	Drawing	Description	Q'ty
A		Small Drawer	3 PCS
B		Large Drawer	4 PCS
C		Foot	4 PCS
D		Support Leg	1 PC
E		Safety Strap Kit	1 KIT

### HARDWARE LIST

1		2	
4 X 110 X 29mm ALLEN KEY 1 PC		Ø1/4" X 15mm X 50mm BOLT 8 PCS	
3		4	
Ø1/4" X 11 X 2mm SPRING WASHER 8 PCS		Ø1/4" X 16 X 2mm FLAT WASHER 8 PCS	

# Lafayette 7 Drawer Dresser

## BR1510-1

### Step 1:

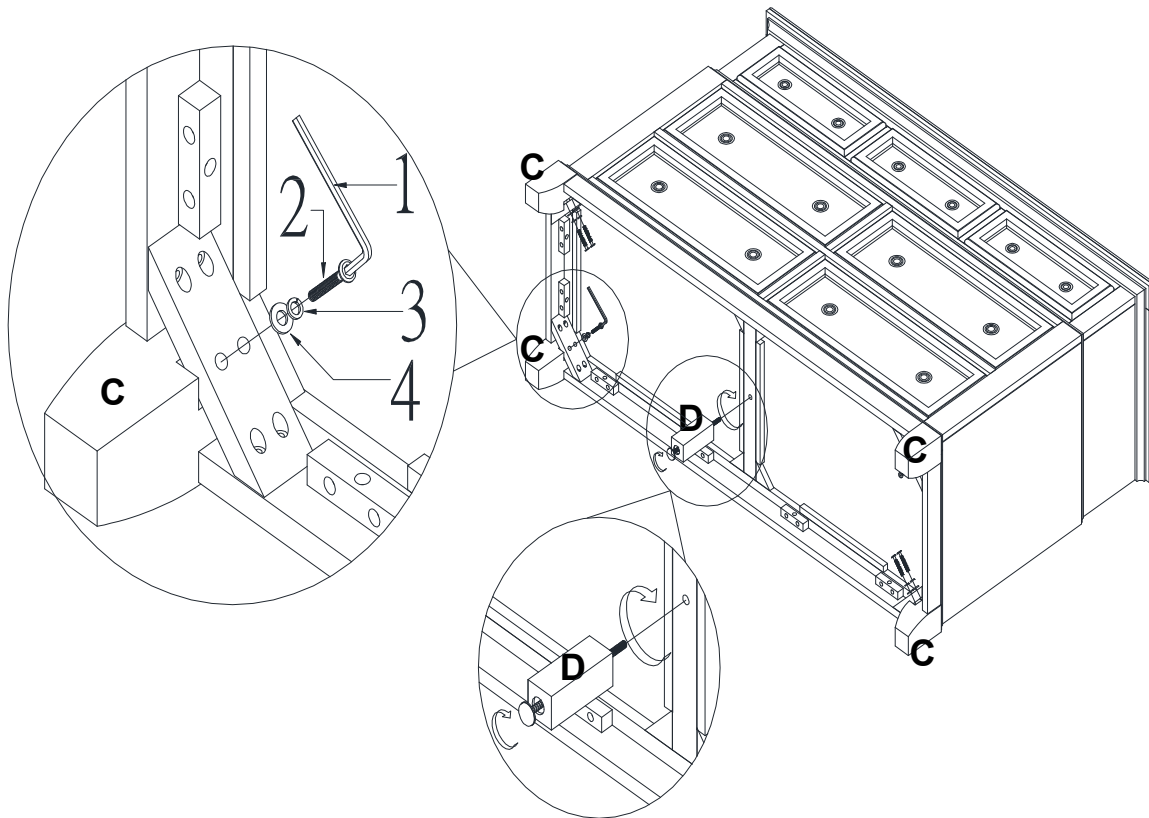
Attach feet (C) to the dresser by using Bolt (2), Spring Washer (3), Flat Washer (4). Use Allen key (1) to tighten the bolts.

Attach support leg (D) to the dresser by rotating the leg clockwise.

#### Note:

Support leg (D) is equipped with an adjustable leveler.

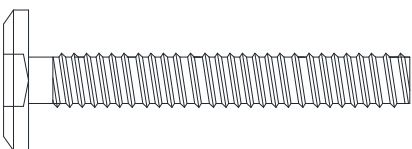
Before placing this item in the desired location, make sure that the dresser rests evenly on the floor by rotating the leveler clockwise.



2

3

4



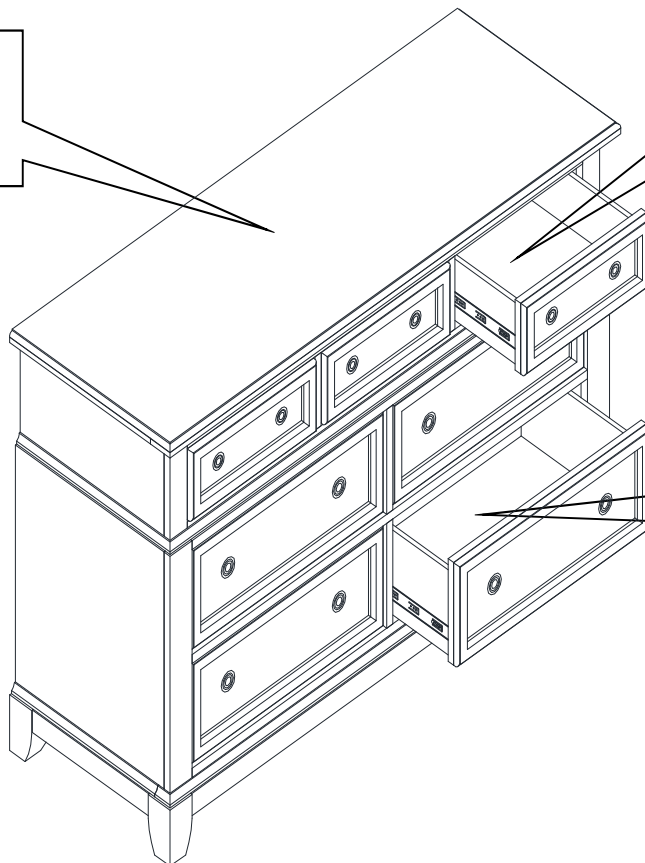
# Lafayette 7 Drawer Dresser

BR1510-1



**CAUTION:** This unit is intended for use only with the products and/or maximum weights indicated. Use with other products and/or products heavier than the maximum weights indicated may result in instability or cause possible injury.

MAXIMUM  
WEIGHT FOR  
TOP - 30 LBS



MAXIMUM WEIGHT  
FOR SMALL  
DRAWERS - 5 LBS

MAXIMUM WEIGHT  
FOR LARGE  
DRAWERS - 15 LBS

**Contact Customer Service with  
any questions.**

**1-800-295-1980**





**das@dorel.com**

**Fax #: 514-353-7819**



# Furniture Wall Safety Strap

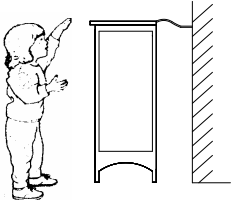
## Hardware List

<b>A</b>		<b>B</b>		<b>C</b>		<b>D</b>	
LONG SCREW 1 PC		METAL BRACKET 2 PCS		SHORT SCREW 1 PC		SAFETY WALL STRAP 1 PC	

TOOLS NECESSARY: RUBBER MALLET AND PHILLIPS SCREW DRIVER ARE NOT INCLUDED.

NOTE: 5/16" DRILL BIT AND ELECTRIC DRILL ARE NOT PROVIDED.

**⚠ WARNING: WHEN UPRIGHT, IT IS POSSIBLE THAT THE FURNITURE MAY TIP OVER. PLEASE INSTALL THE SAFETY WALL STRAP BEHIND THE FURNITURE TO ENSURE SAFETY.**

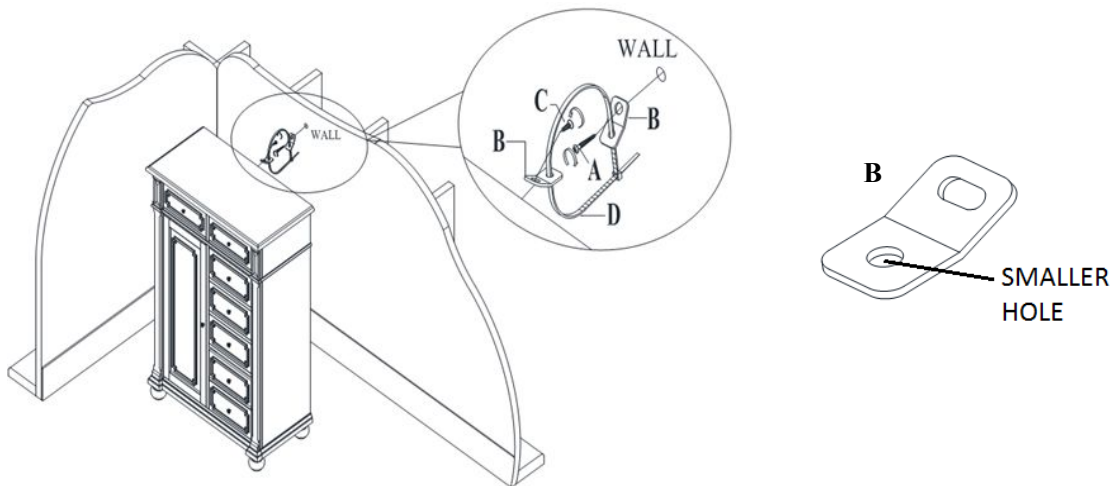


PLEASE READ ALL INSTRUCTIONS CAREFULLY BEFORE USING THIS PRODUCT AND KEEP THESE INSTRUCTIONS FOR FUTURE REFERENCE. IF YOU HAVE ANY QUESTIONS, PLEASE CALL OUR CUSTOMER SERVICE NUMBER: 1-800-295-1980

**STEP 1: ATTACH A METAL BRACKET (B) SECURELY TO THE BACK TOP RAIL OF FURNITURE USING THE SHORT SCREW (C), THROUGH THE SMALLER HOLE.**

**STEP 2: LOCATE THE OTHER METAL BRACKET (B) ON THE WALL OVER A WALL STUD AND 2 INCHES BELOW THE MOUNTING BRACKET SECURED TO THE BACK OF YOUR UNIT. ATTACH TO THE WALL STUD USING THE LONG SCREW (A) PROVIDED, THROUGH THE SMALLER HOLE.**

**STEP 3: PLACE THE FURNITURE INTO POSITION SO BOTH MOUNTING BRACKETS ARE VERTICALLY IN LINE. LACE THE END OF THE SAFETY WALL STRAP (D) THROUGH THE LARGER HOLE IN EACH MOUNTING BRACKET (B). BRING BOTH ENDS TOGETHER AND SLIDE THE FLAT END THROUGH THE LOCKING END AND DRAW IT THROUGH UNTIL ALL SLACK IS REMOVED.**



**STEP 4: CONFIRM THAT THE STRAP IS SECURELY LACED AND LOCKED.**

**TO MOVE THE FURNITURE AFTER THE SAFETY WALL STRAP HAS BEEN INSTALLED, SIMPLY**

**REMOVE THE SCREW (A) FROM THE WALL TO LOOSEN THE SAFETY WALL STRAP.**

# Customer Service

**PLEASE DO NOT RETURN THIS PRODUCT TO THE STORE**

**PLEASE CONTACT CUSTOMER SERVICE REPRESENTATIVES AT THE FOLLOWING NUMBERS SHOULD YOU HAVE ANY QUESTIONS.**

Customer Service Phone Number 1-800-295-1980

Email: [das@dorel.com](mailto:das@dorel.com)

Customer Service Fax Number 514-353-7819

Request Date:

Name:

Shipping Address:

Street & Number:

City & State:

Zip Code:

Day Time Phone Number:  
(including area code)

Date & Place of Purchase:

Part(s) description and quantity (Please be sure to list model number or SKN number):

Customer Service Representative Mailing Address:

Customer Service Department No. 413, 12345 Albert-Hudon Boulevard, Suite 100, Montreal, QC, Canada, H1G 3L1