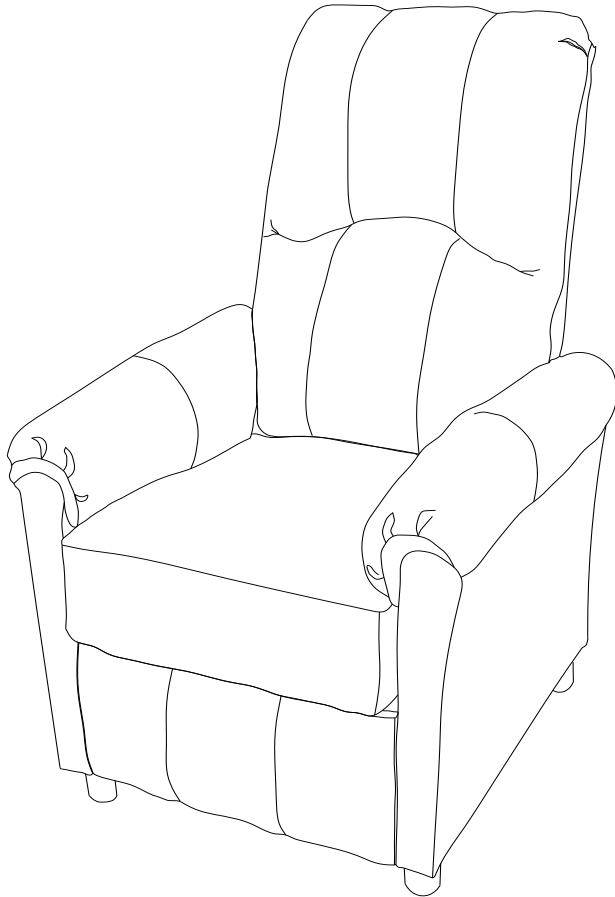


DOREL ASIA

SLIM RECLINER



Model No:
WM3451

UPC CODE:
0-65857-16134-2

NOTE:
THIS INSTRUCTION BOOKLET
CONTAINS **IMPORTANT** SAFETY
INFORMATION. PLEASE READ AND
KEEP FOR FUTURE REFERENCE.

Lot number:
(TAKEN FROM CARTON)

Date of purchase:

____ / ____ / ____

DO NOT RETURN PRODUCT TO THE STORE.
If a part is missing or damaged, contact our customer service
department. We will replace the part **FREE** of charge.



Tel #: 1-800-295-1980
E-Mail: das@dorel.com
Fax #: 514-353-7819

CUSTOMER SERVICE

If you are missing parts or have any questions about this product, contact our customer service representative first!



CALL 1-800-295-1980

You can also order parts by writing to the address listed below. Please include the product model number, color and a detailed description of the part.

**Customer Service Department No. 413
12345 Albert-Hudon Boulevard, Suite 100
Montreal, Quebec
Canada H1G 3L1**

E-MAIL: das@dorel.com



WARNING

DO NOT leave children unattended on or beside the chair.

DO NOT use your chair as a step stool.

DO NOT sit on the edge of the seat, armrests or on the backrest as this could make the chair tip over.

NOTES

- * Ensure all parts and components are present before beginning assembly.
- * Assembly and handling will require two people.
- * Assemble on a soft, smooth surface to prevent damage to the product finish.
- * Read all instructions completely before assembly.
- * DO NOT use power tools.
- * CAUTION: Adult assembly required.
- * Estimated assembly time: 5 minutes.

CARE AND CLEANING

Dust regularly with a soft, dry cloth to prevent soil build up. Wipe away spills immediately to prevent staining. Use a cloth dampened with water or a professional product to clean the fabric. Always test an inconspicuous area first. Allow upholstery to dry and brush lightly. Keep away from heat to avoid glazing, melting or scorching.

MAINTENANCE

Check bolts/screws periodically and tighten them if necessary.

LIMITED WARRANTY

Dorel Asia warrants its product to be free from defects in material and workmanship and agrees to remedy any such defect. This warranty covers 1 year from the date of original purchase. This warranty is valid only upon presentation of proof of purchase. This is solely limited to the repair or replacement of defective furniture components and no assembly labor is included. This warranty does not apply to any product which has been improperly assembled, subjected to misuse or abuse or which has been altered or repaired in any way. Any wearing, tearing or fading of the fabric is not covered under the warranty. This warranty gives you specific legal rights and you may also have other rights which vary from State to State.



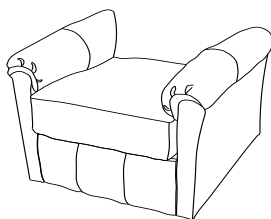
WARNING: Should this product become damaged, and/or components are broken or missing, DO NOT USE.

SLIM RECLINER

WM3451

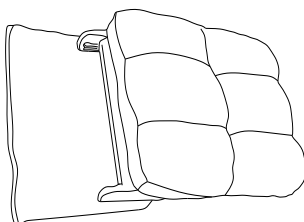
PARTS LIST

A



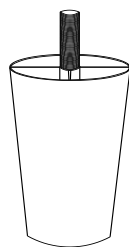
CHAIR BODY
1 PC

B



CHAIR BACK
1 PC

C



FOOT
4 PCS

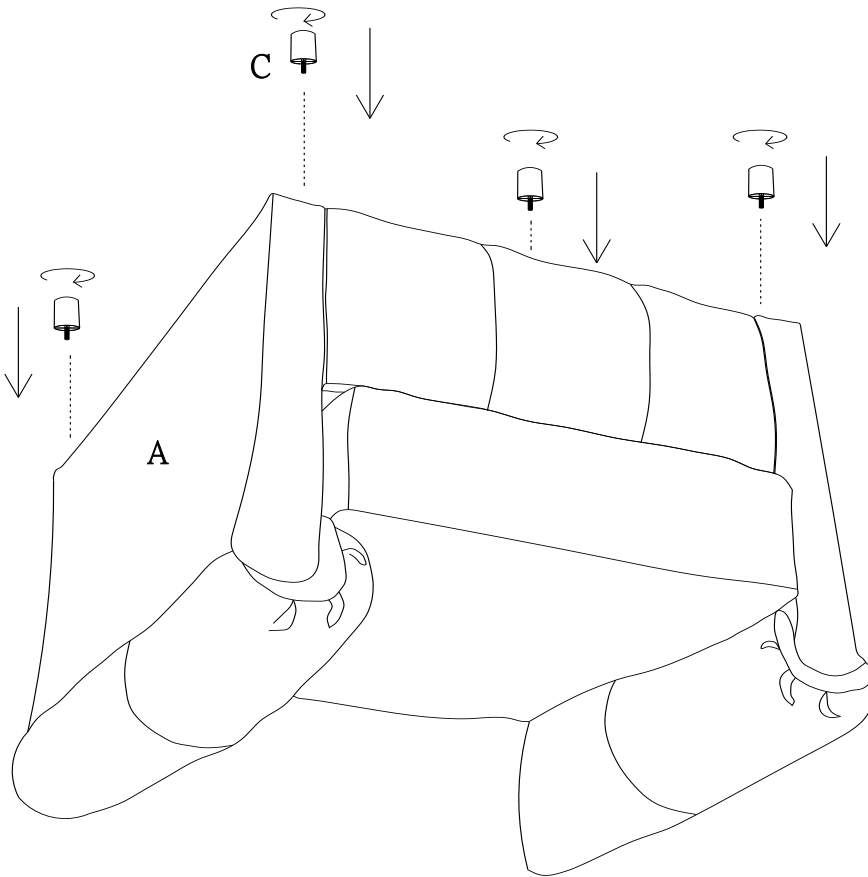
SLIM RECLINER WM3451

STEP 1:

Gently place the chair body (A) on its side on a clean smooth surface.
Screw feet (C) to chair body (A) by turning clockwise.

NOTE:

The chair body (A) is lined with a thin fabric underneath. It is necessary to pierce through this fabric with the bolt on feet (C). Place your hand on the corner of the seat base to locate where bolt must enter.



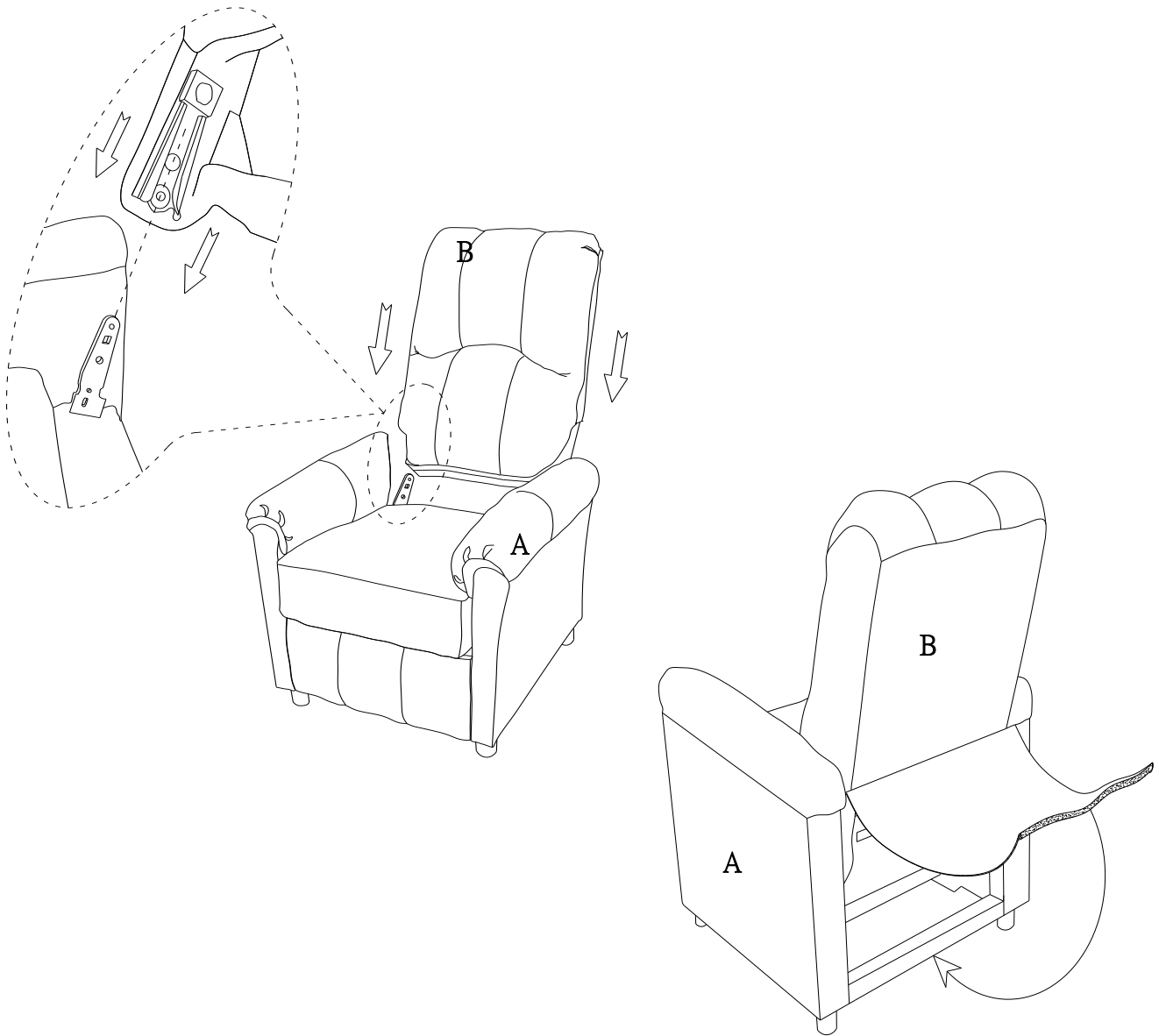
SLIM RECLINER WM3451

STEP 2:

Attach chair back (B) to chair body (A) by sliding the brackets on the chair back (B) into the glides on chair body (A) as shown.

Place the flap into position using the Velcro strips once the back frame has been locked into place.

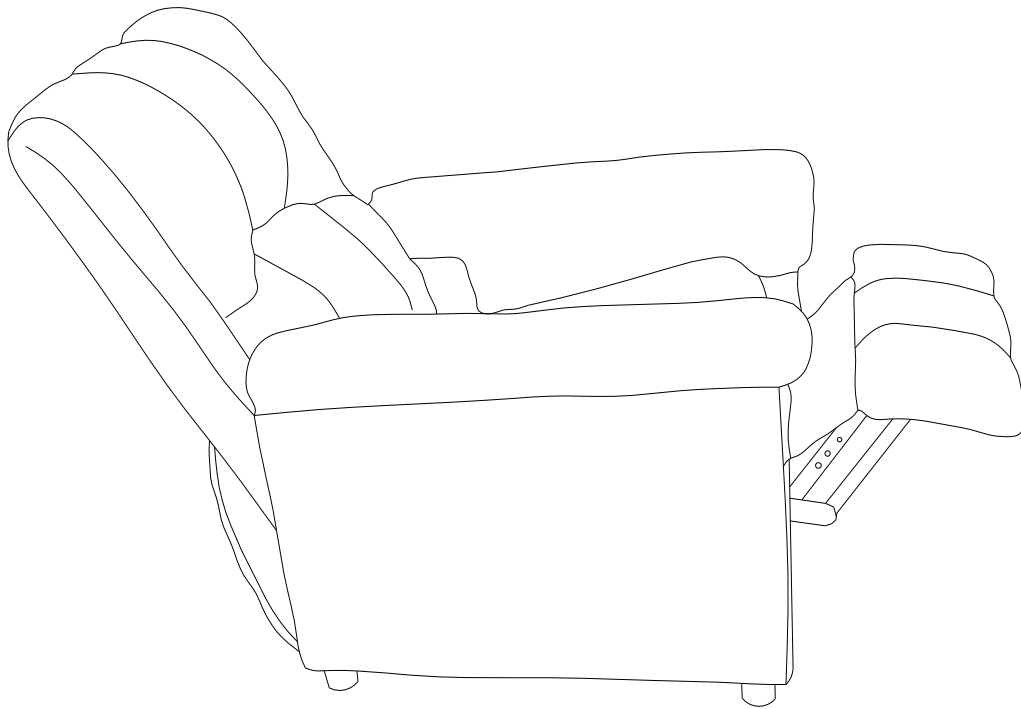
NOTE: Both sides must be inserted in the base at the same time. This step is best performed with 2 people.




SLIM RECLINER WM3451

NOTE:

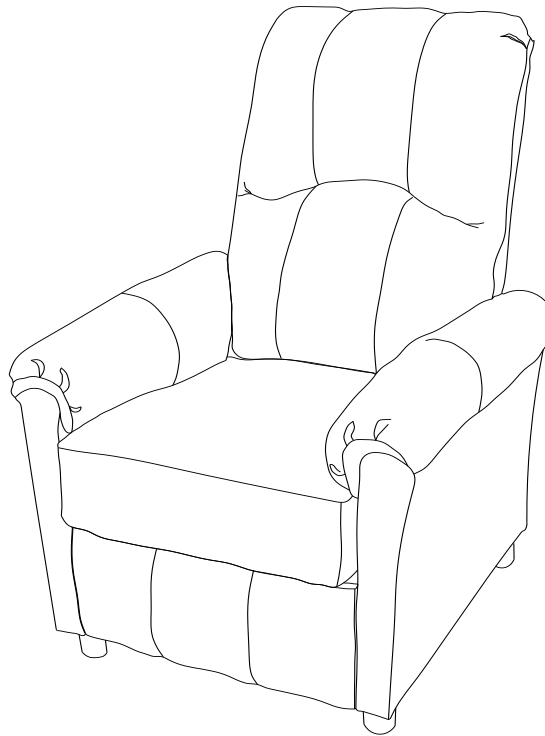
When seated, push back on the back rest while holding onto the arm rests to recline back.



SLIM RECLINER WM3451

 **CAUTION:** This unit is intended for use only with the products and/or maximum weights indicated. Use with other products and/or products heavier than the maximum weights indicated may result in instability or cause possible injury.

Dust regularly with a soft, dry cloth to prevent soil build up. Wipe away spills immediately to prevent staining. Use a cloth dampened with water or a professional product to clean the fabric. Always test an inconspicuous area first. Allow upholstery to dry and brush lightly. Keep away from heat to avoid glazing, melting or scorching.



That's it! You've finished assembling your Recliner.

DO NOT RETURN PRODUCT TO THE STORE.

If a part is missing or damaged, contact our customer service department. We will replace the part **FREE** of charge.



Tel #: 1-800-295-1980
E-Mail: das@dorel.com
Fax #: 514-353-7819

Customer Service

PLEASE DO NOT RETURN THIS PRODUCT TO THE STORE

PLEASE CONTACT CUSTOMER SERVICE REPRESENTATIVES AT THE FOLLOWING NUMBERS SHOULD THERE BE ANY MISSING OR DEFECTIVE PART(S).

Customer Service Phone Number 1-800-295-1980

Email: das@dorel.com

Customer Service Fax Number 514-353-7819

Request Date:

Name:

Shipping Address:

Street & Number:

City & State:

Zip Code:

Day Time Phone Number:

(including area code)

Date & Place of Purchase:

Part(s) description and quantity (Please be sure to list model number or SKU number):

Customer Service Representative Mailing Address:

Customer Service Department No. 413, 12345 Albert-Hudon Boulevard, Suite 100, Montreal, QC, Canada, H1G 3L1