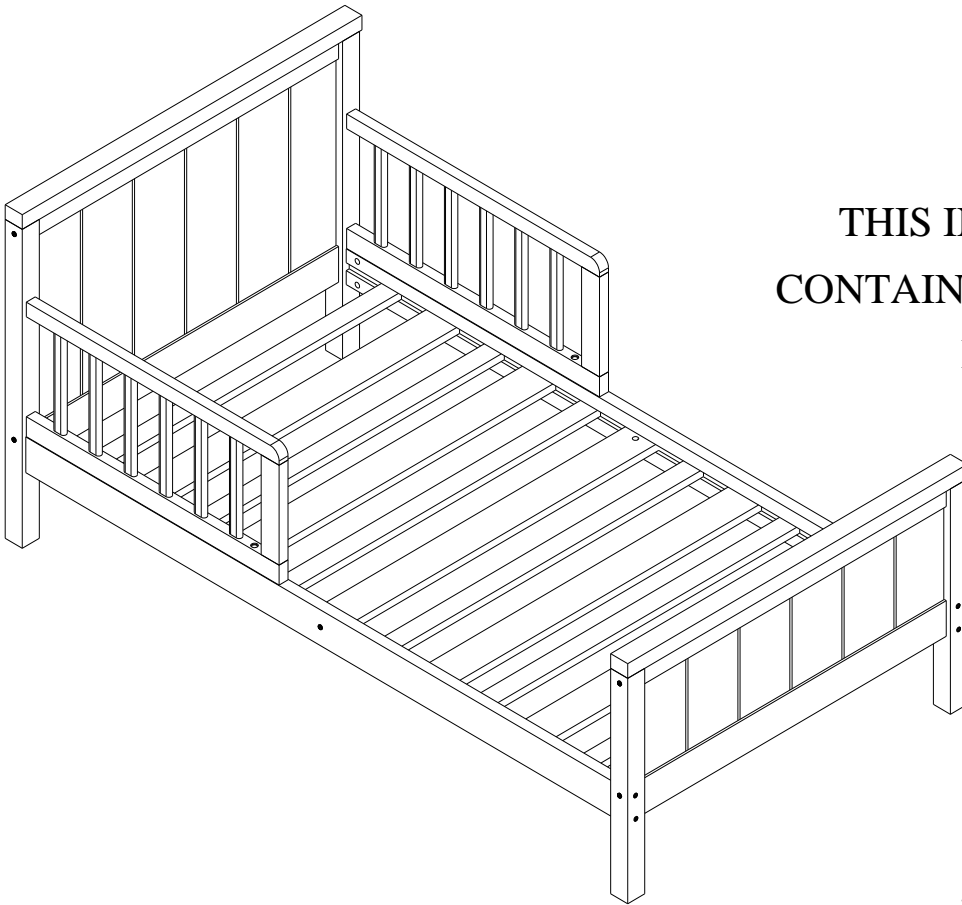


DOREL ASIA

TODDLER BED

MODEL NO:
WM3239 DARK CHERRY

UPC CODE:
0-65857-15352-1



NOTE:
THIS INSTRUCTION BOOKLET
CONTAINS **IMPORTANT** SAFETY
INFORMATION. PLEASE
READ AND KEEP FOR
FUTURE REFERENCE.

LOT NUMBER:
(TAKEN FROM CARTON)

DATE OF PURCHASE:
____ / ____ / ____

DO NOT RETURN PRODUCT TO THE STORE.

If a part is missing or damaged, Contact our customer service department. We will replace the part FREE of charge.



Tel # : 1-800-295-1980
E-Mail: das@dorel.com
Fax #: 514-353-7819

CUSTOMER SERVICE

If you are missing parts or have any questions about this product, contact our customer service representative first!

 **CALL 1-800-295-1980**

You can also order parts by writing to the address listed below. Please include the product model number, color and a detailed description of the part.

**Customer Service Department No. 413
12345 Albert-Hudon Boulevard, Suite 100**

Montreal, Quebec

Canada, H1G 3L1

E-MAIL: das@dorel.com

WARNING ENTRAPMENT/STRANGULATION HAZARD:

- * Infants have died in toddler beds from entrapment and strangulation.
- * Failure to follow these warnings and assembly instructions could result in serious injury or death from entrapment or strangulation.
- * NEVER use bed with children under 15 months.
- * NEVER place bed near windows where cords from blinds or drapes may strangle a child.
- * The TODDLER BED is not intended for children under 15 months of age or over 50 pounds (22.7kg).
- * If guardrails are used as the mattress containment means, guardrail(s) provided must be used to avoid the formation of a gap between the mattress and the bed that could cause an entrapment.
- * DO NOT place TODDLER BED near windows where cords from blinds or drapes may strangle a child.
- * DO NOT place items with a string, cord, or ribbon around a child's neck, such as hood strings or pacifier cords.
- * DO NOT suspend strings over a TODDLER BED for any reason.
- * The mattress intended for use on the bed shall be a full size crib mattress having dimensions of 51 5/8 in (131 cm) in length and 27 1/4 in. (69 cm) in width with a minimum thickness of 4 in. (10 cm) but not exceeding 6 in. (15 cm).

NOTE

- * Phillips head screwdriver is not included.
- * Assembly will require 2 people.
- * Estimated assembly time: 25 minutes.
- * **Caution:** Adult assembly required.

CARE AND CLEANING

- * Dust regularly with a soft, lint-free cloth to prevent soil build-up. A damp cloth may be used occasionally to clean surface. Dry immediately. Do not use any abrasives that may damage finish. Excessive exposure to sunlight and extreme changes in temperature and moisture can damage wood furniture.

MAINTENANCE

- * Check bolts periodically and tighten if necessary.

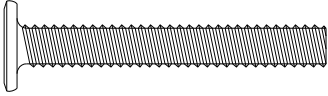
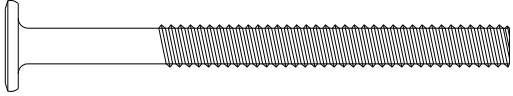
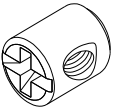

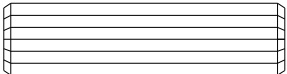
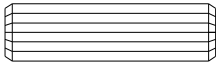
DOREL ASIA LIMITED WARRANTY

Dorel Asia warrants its product to be free from defects in material and workmanship and agrees to remedy any such defect. This warranty covers 1 year from the date of original purchase. This warranty is valid only upon presentation of proof of purchase. This is solely limited to the repair or replacement of defective furniture components and no assembly labor is included. This warranty does not apply to any product which has been improperly assembled, subjected to misuse or abuse or which has been altered or repaired in any way. This warranty gives you specific legal rights and you may also have other rights which vary from State to State.

 **WARNING: Should this product become damaged, and/or components are broken or missing, DO NOT USE.**


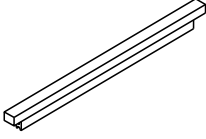
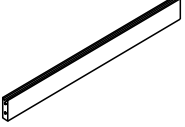
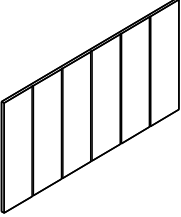

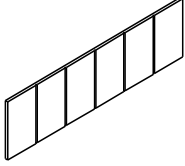
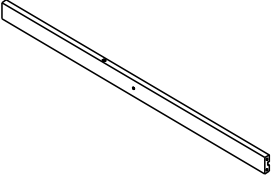
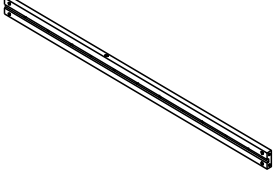
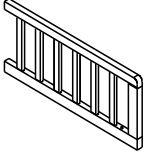
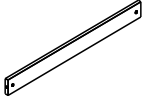
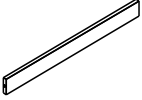

TODDLER BED WM3239

HARDWARE LIST

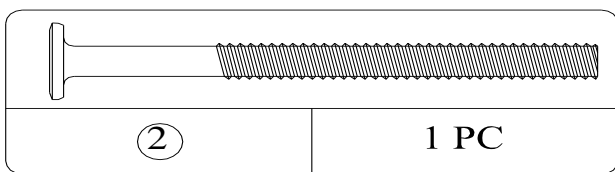
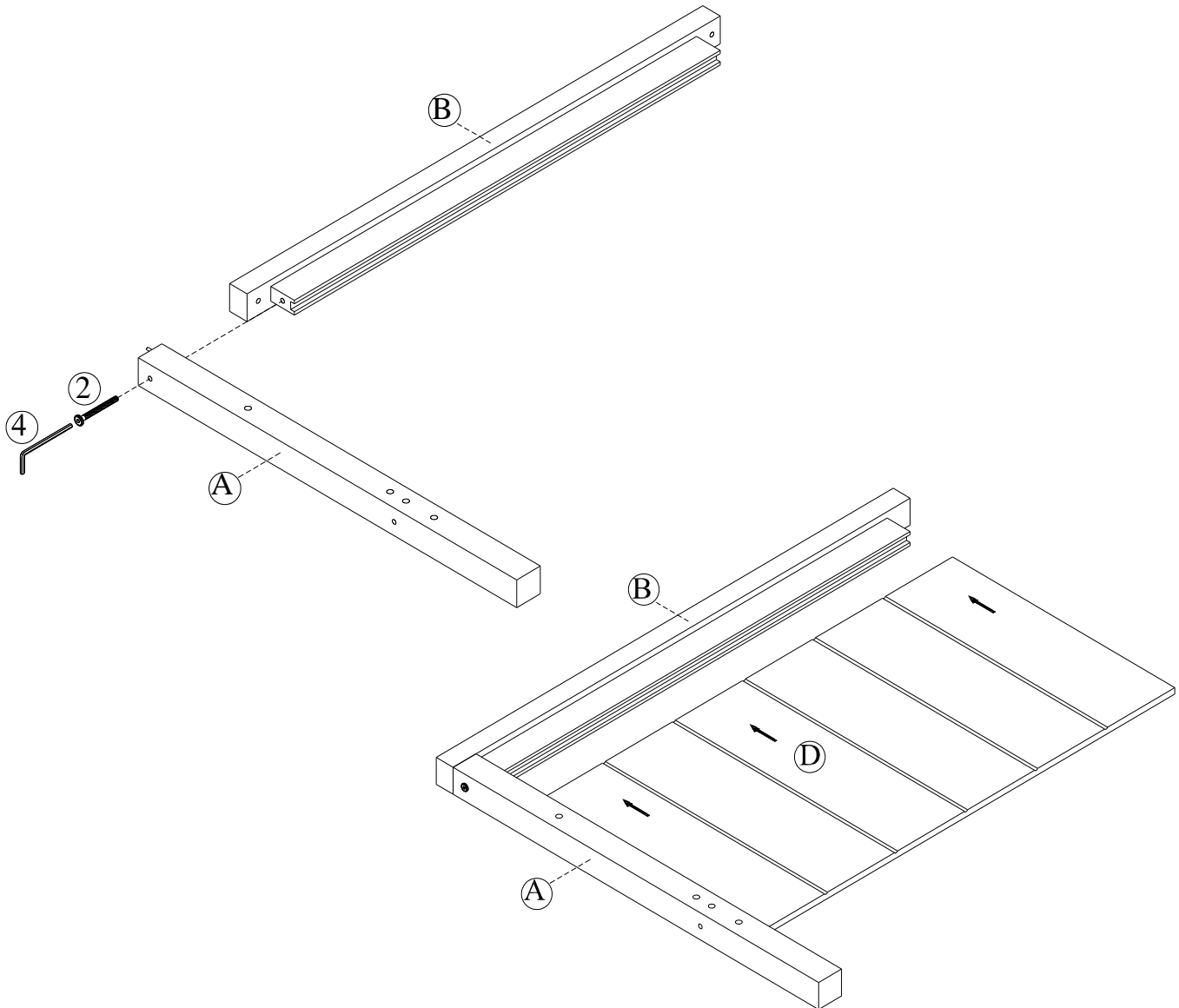
| | | | |
|----------|---|----------|---|
| 1 |  <p style="text-align: center;">$\Phi 1/4'' \times 1-3/4''$</p> <p style="text-align: center;">HEX SOCKET HEAD BOLT 2 PCS</p> | 2 |  <p style="text-align: center;">$\Phi 1/4'' \times 2-3/4''$</p> <p style="text-align: center;">HEX SOCKET HEAD BOLT 22 PCS</p> |
| 3 |  <p style="text-align: center;">$\Phi 1/4'' \times 1/2''$</p> <p style="text-align: center;">BARREL NUT 10 PCS</p> | 4 |  <p style="text-align: center;">4MM</p> <p style="text-align: center;">ALLEN KEY 1 PC</p> |
| 5 |  <p style="text-align: center;">$\Phi 10\text{mm} \times 40\text{mm}$</p> <p style="text-align: center;">WOOD DOWEL 4 PCS</p> | 6 |  <p style="text-align: center;">$\Phi 8\text{mm} \times 30\text{mm}$</p> <p style="text-align: center;">WOOD DOWEL 20 PCS</p> |

TODDLER BED WM3239

PARTS LIST

| | | |
|---|---|---|
| <p style="text-align: center;">A</p>  | <p style="text-align: center;">B</p>  | <p style="text-align: center;">C</p>  |
| <p style="text-align: center;">HEADBOARD POST 2 PCS</p> | <p style="text-align: center;">TOP CROSS 2 PCS</p> | <p style="text-align: center;">BOTTOM CROSS 2 PCS</p> |
| <p style="text-align: center;">D</p>  | <p style="text-align: center;">E</p>  | <p style="text-align: center;">F</p>  |
| <p style="text-align: center;">HEADBOARD PANEL 1 PC</p> | <p style="text-align: center;">FOOTBOARD POST 2 PCS</p> | <p style="text-align: center;">FOOTBOARD PANEL 1 PC</p> |
| <p style="text-align: center;">G</p>  | <p style="text-align: center;">H</p>  | <p style="text-align: center;">I</p>  |
| <p style="text-align: center;">LEFT SIDE RAIL 1 PC</p> | <p style="text-align: center;">RIGHT SIDE RAIL 1 PC</p> | <p style="text-align: center;">GUARDRAIL 2 PCS</p> |
| <p style="text-align: center;">J</p>  | <p style="text-align: center;">K</p>  | <p style="text-align: center;">L</p>  |
| <p style="text-align: center;">CENTER SUPPORT SLAT 1 PC</p> | <p style="text-align: center;">WIDE SUPPORT SLAT 4 PCS</p> | <p style="text-align: center;">NARROW SUPPORT SLAT 6 PCS</p> |

TODDLER BED WM3239

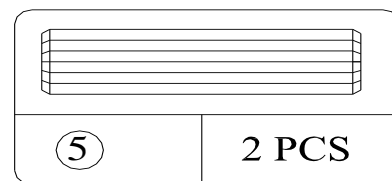
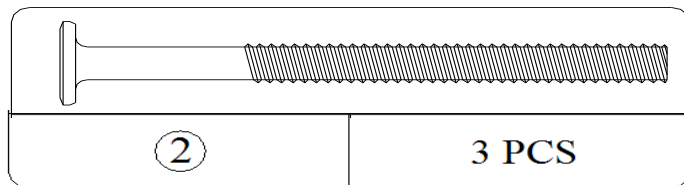
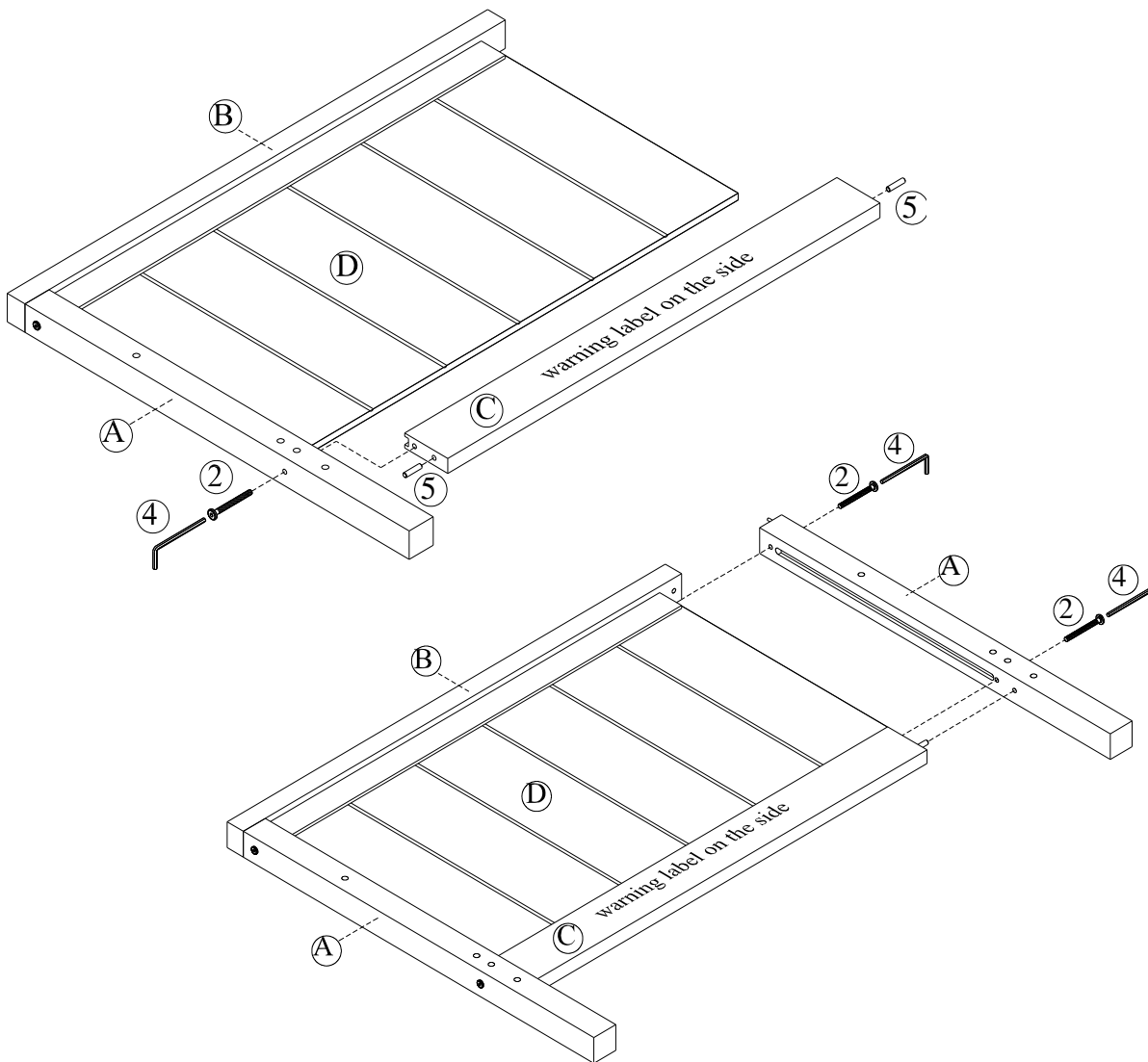


STEP 1

Attach top cross (B) to the headboard post (A) using hex socket head bolt (2) as shown. Use Allen Key (4) to tighten the bolt.

NOTE: Do not fully tighten bolt. This will facilitate assembly in the following steps. Insert the headboard panel (D) into the grooves of the top cross (B) and the headboard post (A). Push the headboard panel (D) to secure it into place.

TODDLER BED WM3239



STEP 2

Use the bottom cross (C) with a warning label in this step.

Insert wood dowels (5) into both ends of bottom cross (C).

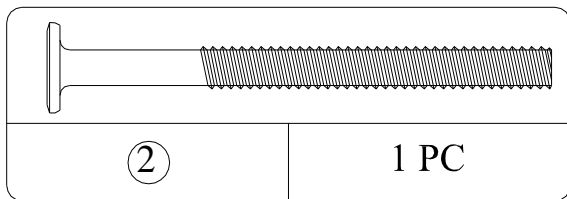
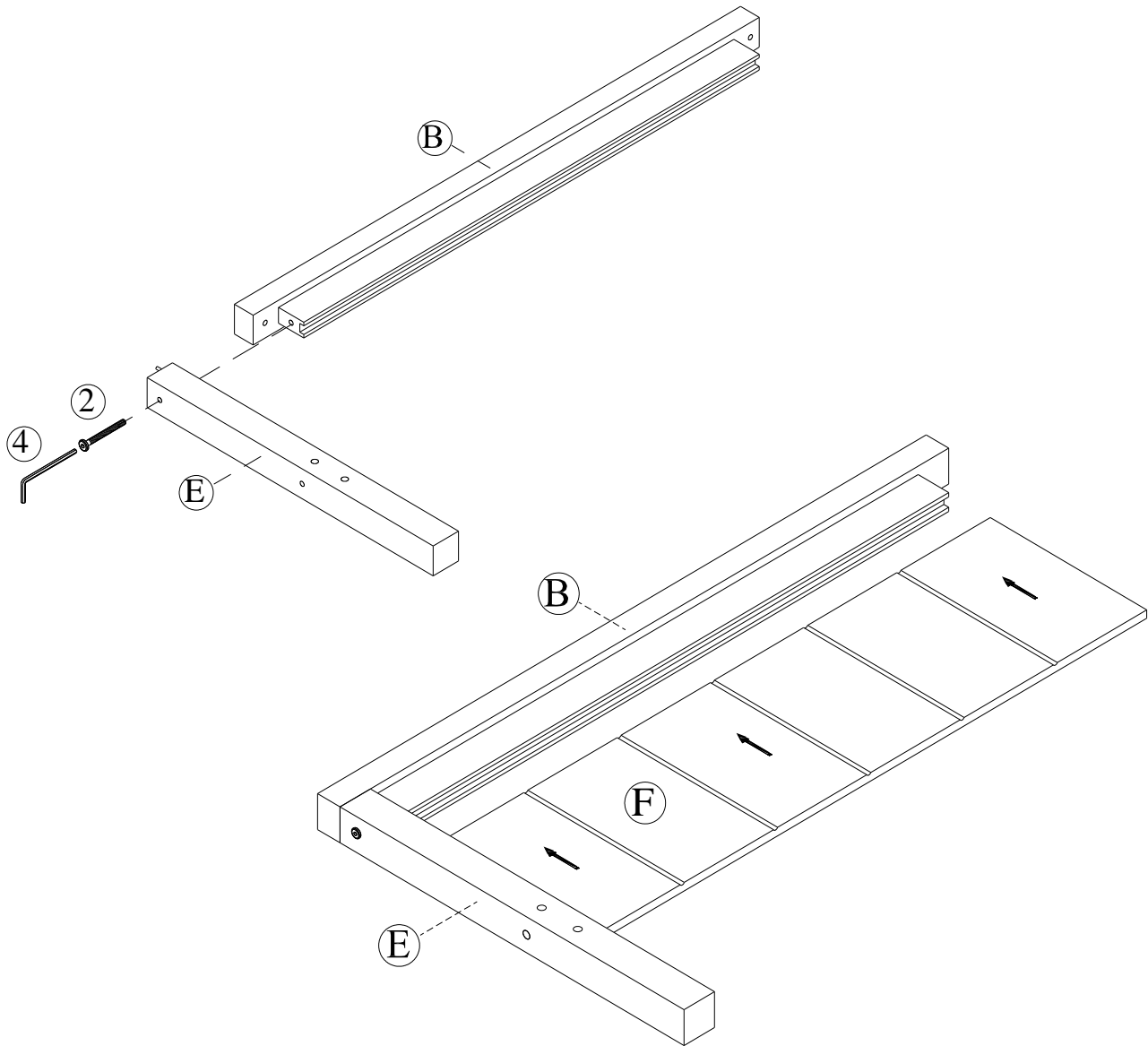
Insert bottom cross (C) to the headboard post (A). Ensure that headboard panel (D) rests inside the grooves of bottom cross (C).

Secure bottom cross (C) to headboard post (A) using hex socket head bolt (2) and Allen Key (4).

Attach the other headboard post (A) to top cross (B) and bottom cross (C) using hex socket head bolts (2) and Allen Key (4).

NOTE: Do not fully tighten bolt. This will facilitate assembly in the following steps.

TODDLER BED WM3239



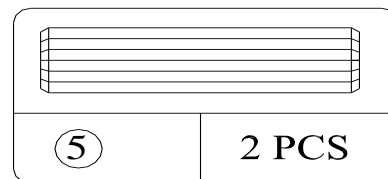
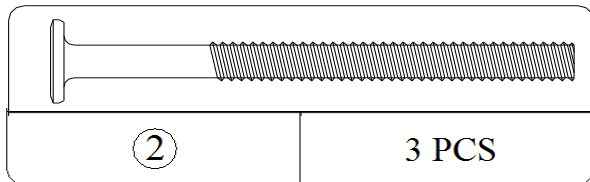
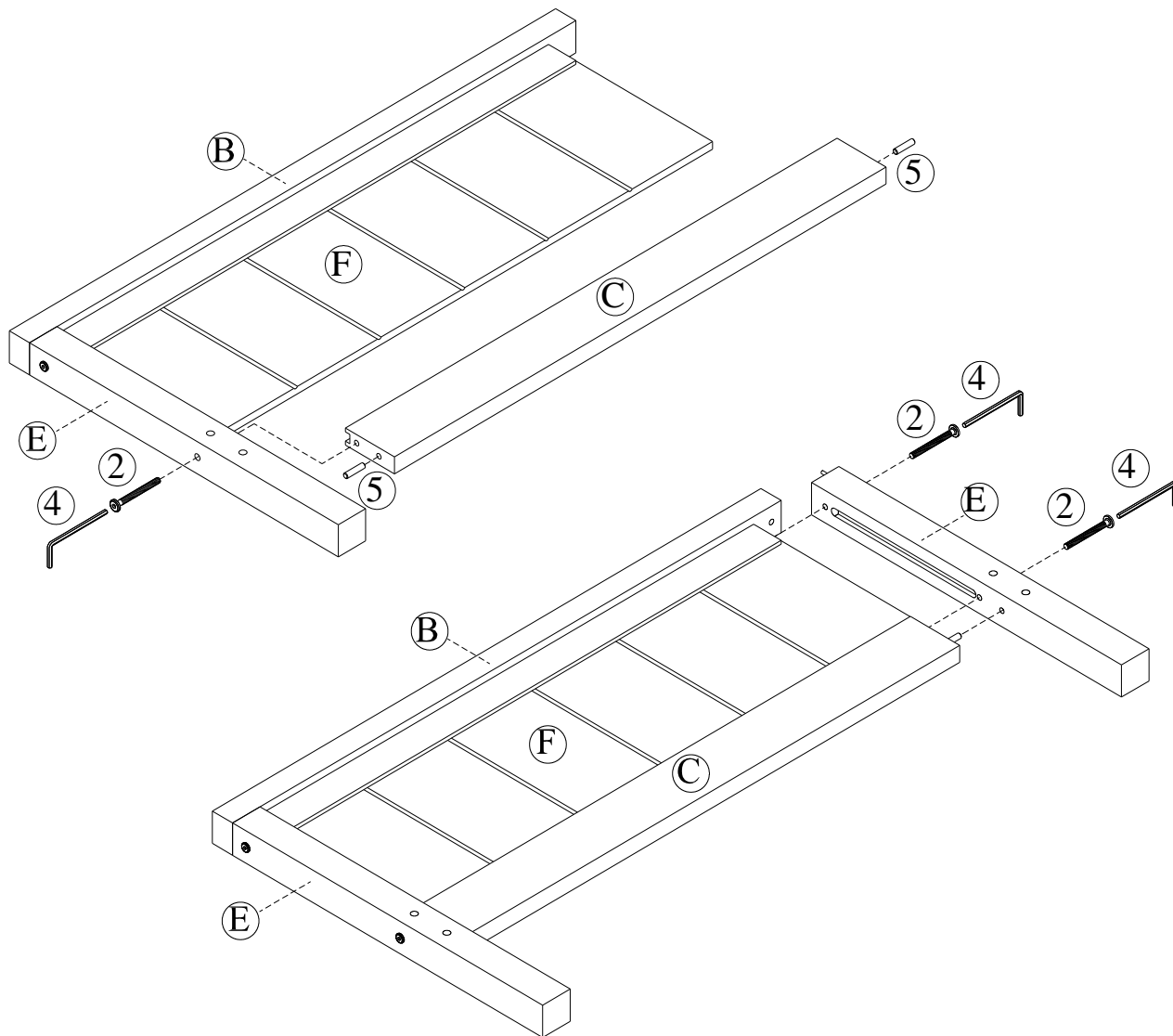
STEP 3

Attach top cross (B) to the footboard post (E) using hex socket head bolt (2) and Allen Key (4).

NOTE: Do not fully tighten bolt. This will facilitate assembly in the following steps.

Insert the footboard panel (F) into the grooves of the top cross (B) and footboard post (E). Push the footboard panel (F) to secure it into place.

TODDLER BED WM3239



STEP 4

Insert wood dowels (5) into ends of the bottom cross (C).

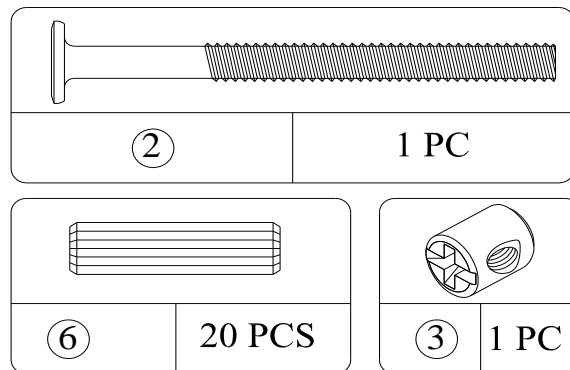
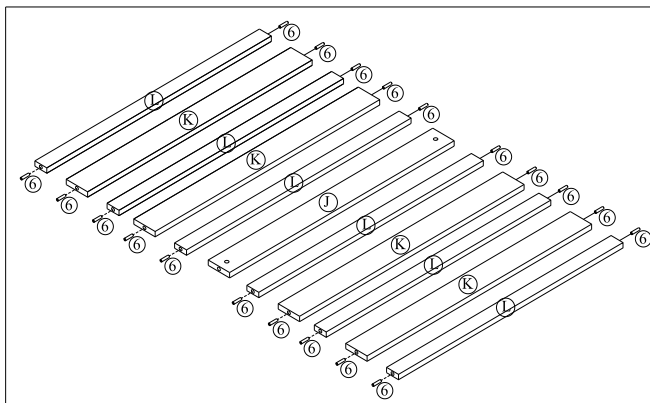
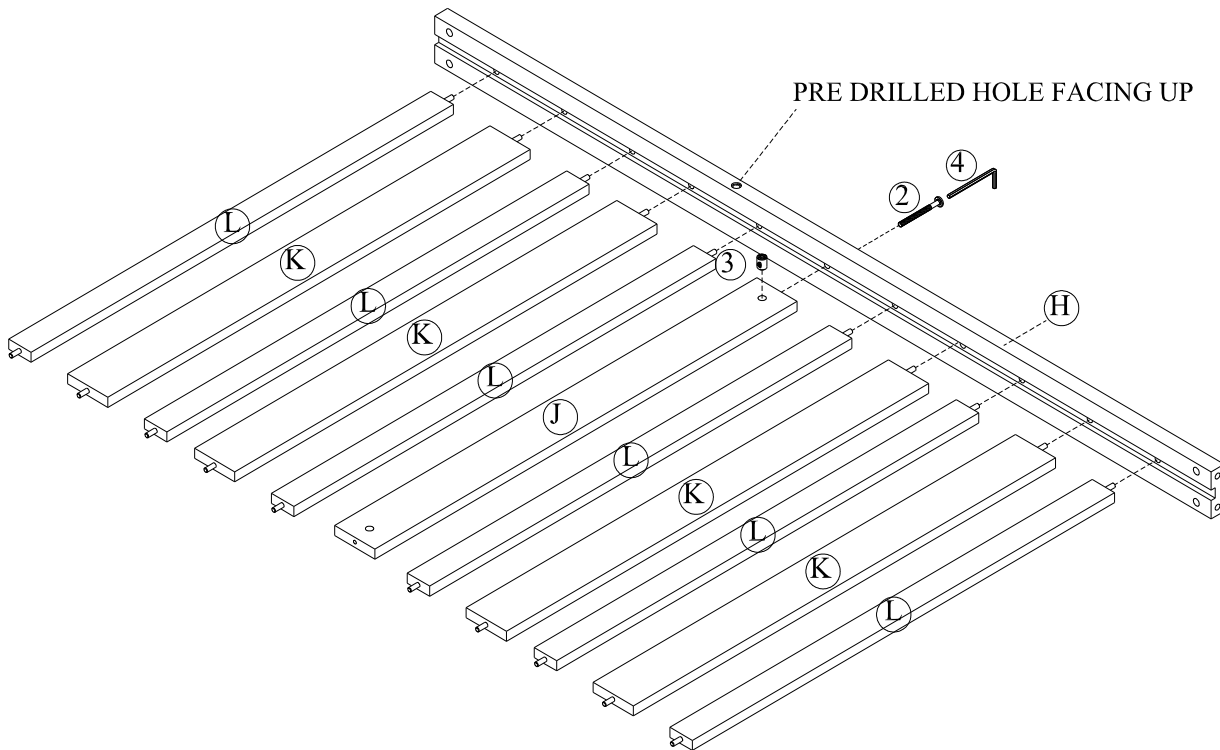
Insert bottom cross (C) to the footboard post (E). Ensure that footboard panel (F) rests inside the grooves of bottom cross (C).

Secure bottom cross (C) to footboard post (E) using hex socket head bolt (2) and Allen Key (4).

Attach the other footboard post (E) to the top cross (B) and the bottom cross (C) using hex socket head bolts (2) and Allen Key (4).

NOTE: Do not fully tighten the bolts. This will facilitate assembly in the following steps.

TODDLER BED WM3239



STEP 5

Insert barrel nut (3) into the hole on the wide surface of center support slat (J). Ensure the barrel nut (3) is flush with center support slat (J).

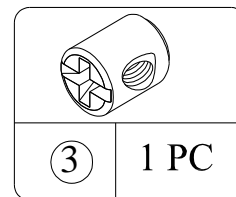
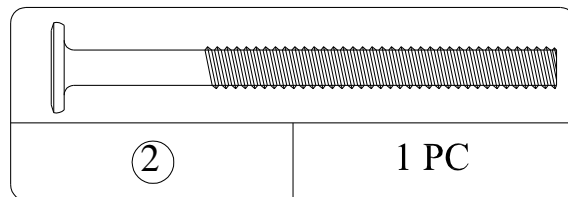
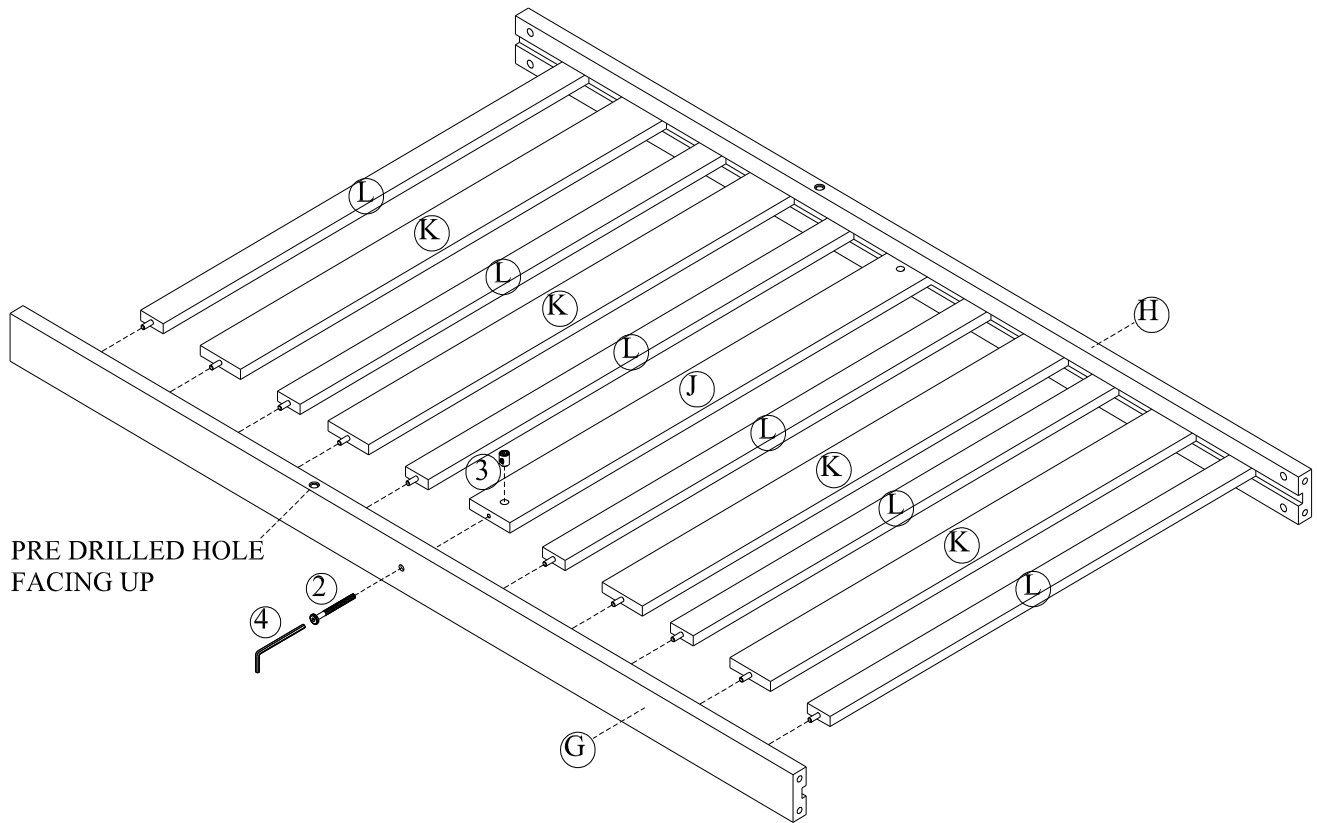
Attach center support slat (J) to right side rail (H) with hex socket head bolt (2) as shown. Use Allen Key (4) to tighten the bolt.

NOTE: Barrel nut (3) can be rotated using a screwdriver (not included) to properly align with the bolt coming through side rail (H).

Insert wood dowels (6) into both ends of wide support slats (K) and narrow support slats (L). Insert the support slats (K & L) into the grooves of the right side rail (H) as shown.

TODDLER BED

WM3239



STEP 6

Insert barrel nut (3) into the hole on the wide surface of center support slat (J). Ensure the barrel nut (3) is flush with center support slat (J).

Insert the support slats (K & L) into the grooves of left side rail (G).

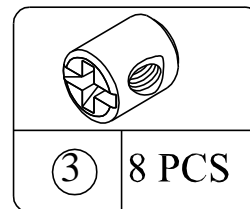
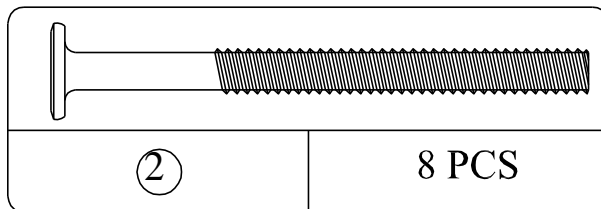
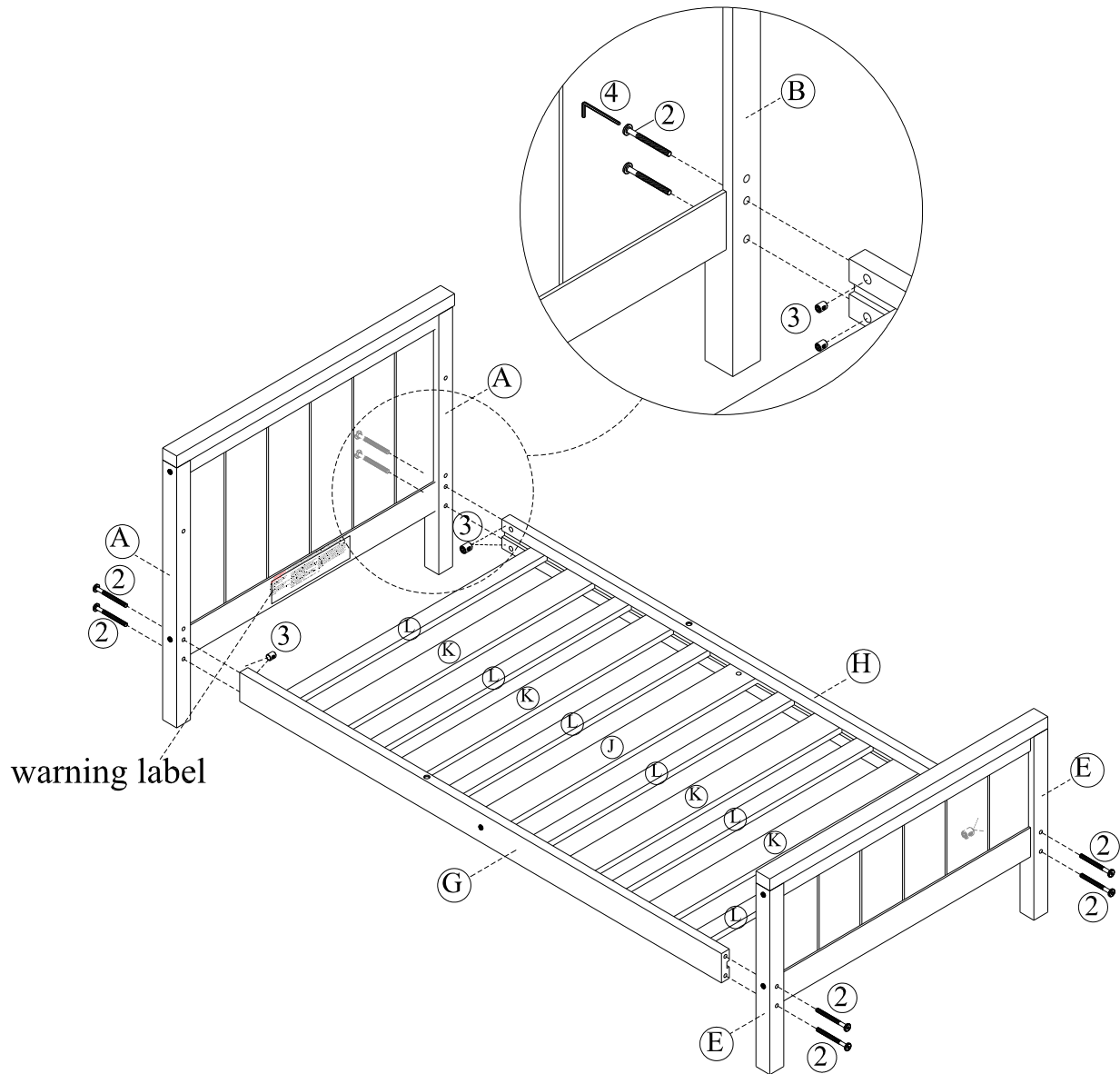
Attach the left side rail (G) to center support slat (J) with hex socket head bolt (2). Make sure that barrel nut (3) is properly aligned to allow hex socket head bolt (2) to be installed.

Use Allen Key (4) to fully tighten the bolt.

NOTE: The barrel nut (3) can be rotated using a screwdriver (not included) to properly align with the bolt coming through side rail (G).

TODDLER BED

WM3239



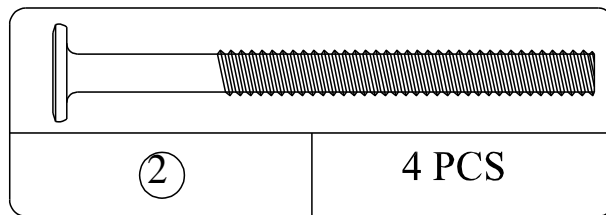
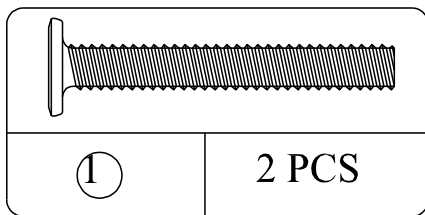
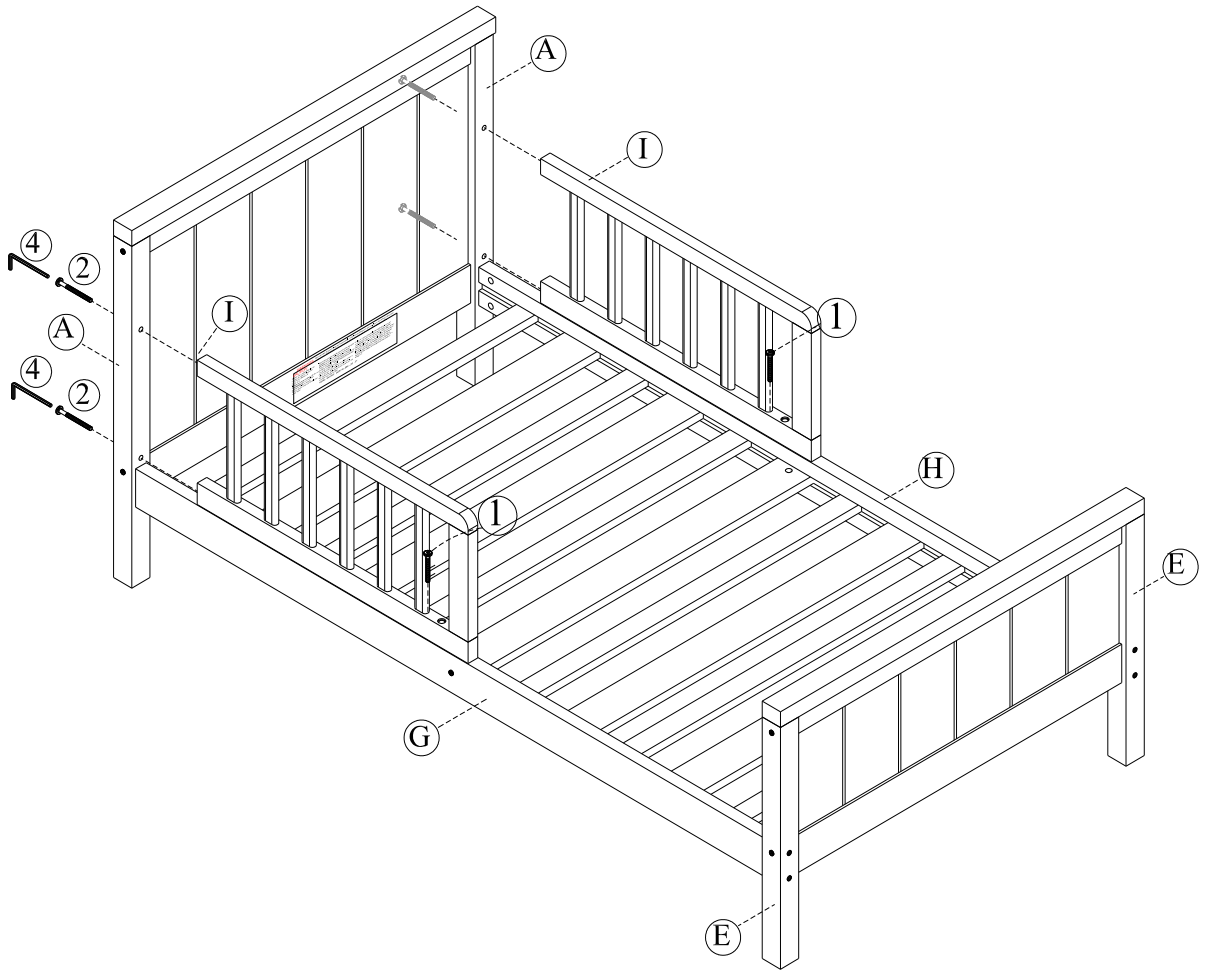
STEP 7

Insert barrel nuts (3) into both ends of the left and right side rails (G & H). Attach the headboard and footboard to the left and right side rails (G & H) by threading hex socket head bolts (2) through the headboard posts (A) and footboard posts (E). Use Allen key (4) to tighten bolts.

NOTE: Do not fully tighten bolts. This will facilitate assembly in the following steps.

TODDLER BED

WM3239



STEP 8

Attach guardrails (I) to headboard posts (A) with hex socket head bolts (2).

Attach the guardrails (I) to the left and right side rails (G & H) with hex socket head bolts (1) as shown. Use Allen key (4) to tighten bolts.

NOTE: Fully tighten all bolts installed in previous steps.

That's it ! You've finished assembling your toddler bed.

Customer Service

DO NOT RETURN THIS PRODUCT TO THE STORE

PLEASE CONTACT CUSTOMER SERVICE REPRESENTATIVES AT THE FOLLOWING NUMBERS SHOULD THERE BE ANY MISSING OR DEFECTIVE PART(S).

Customer Service Phone Number 1-800-295-1980

Email: das@dorel.com

Customer Service Fax Number 514-353-7819

Request Date:

Name:

Shipping Address:

Street & Number:

City & State:

Zip Code:

Day Time Phone Number:

(including area code)

Date & Place of Purchase:

Part(s) description and quantity: (Please be sure to list model number or SKN number)

Customer Service Representative Mailing Address:

Customer Service Department No. 413, 12345 Albert-Hudon Boulevard, Suite 100, Montreal, QC, Canada, H1G 3L1