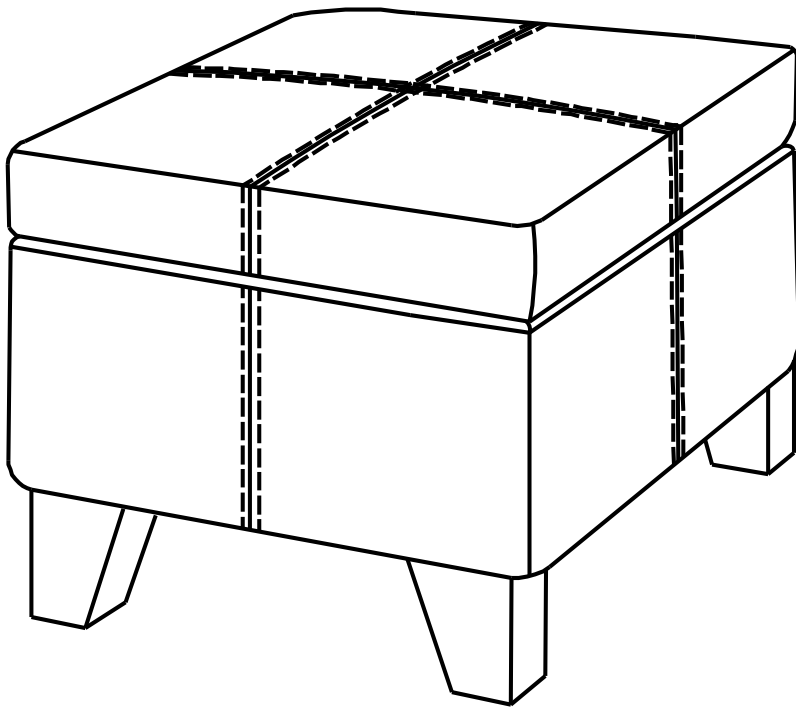


## SMALL STORAGE OTTOMAN

**Model No:**

WM3053BP2MWC BLACK

WM3053EP2MWC ESPRESSO

**UPC CODE:**

0-65857-15406-1 (BLACK)

0-65857-15405-4 (ESPRESSO)

**NOTE:**

THIS INSTRUCTION BOOKLET  
CONTAINS **IMPORTANT** SAFETY  
INFORMATION. PLEASE READ  
AND KEEP FOR FUTURE  
REFERENCE.

**Lot number:**

(TAKEN FROM CARTON)

---

**Date of purchase:**

\_\_\_\_ / \_\_\_\_ / \_\_\_\_

**DO NOT RETURN PRODUCT TO THE STORE.**

If a part is missing or damaged, contact our customer  
service department. We will replace the part **FREE**  
of charge.



Tel #: 1-800-295-1980

E-Mail: das@dorel.com

Fax #: 514-353-7819

## CUSTOMER SERVICE

If you are missing parts or have any questions about this product, contact our customer service representative first!



**CALL 1-800-295-1980**

You can also order parts by writing to the address listed below. Please include the product model number, color and a detailed description of the part.

**Customer Service Department No. 413  
12345 Albert-Hudon Boulevard, Suite 100  
Montreal, Quebec  
Canada H1G 3L1  
E-MAIL: [das@dorel.com](mailto:das@dorel.com)**

## NOTES

- \* Ensure all parts and components are present before beginning assembly.
- \* If any parts are damaged or missing, please contact our Customer Service for replacement parts.
- \* Assembly may require two people.
- \* Assemble on soft surfaces to prevent damage to the product finish.
- \* Read all instructions completely before assembly.
- \* Phillips head screwdriver is not included.
- \* Do not use power tools.
- \* CAUTION: Adult assembly required.
- \* Estimated assembly time: 10 minutes

## CARE AND CLEANING

Wipe away spills immediately to prevent staining. Use a cloth dampened with water or a professional product to clean the fabric. Always test an inconspicuous area first. Allow upholstery to dry and brush lightly. Keep away from heat to avoid glazing, melting or scorching.

## MAINTENANCE

Check bolts/screws periodically and tighten them if necessary.

## DOREL ASIA LIMITED WARRANTY

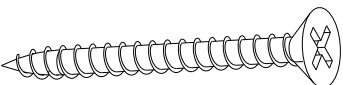
Dorel Asia warrants its product to be free from defects in material and workmanship and agrees to remedy any such defect. This warranty covers 1 year from the date of original purchase. This warranty is valid only upon presentation of proof of purchase. This is solely limited to the repair or replacement of defective furniture components and no assembly labor is included. This warranty does not apply to any product which has been improperly assembled, subjected to misuse or abuse or which has been altered or repaired in any way. This warranty gives you specific legal rights and you may also have other rights which vary from State to State. The warranty does not cover the wearing, tearing, fading or splitting of the leather.



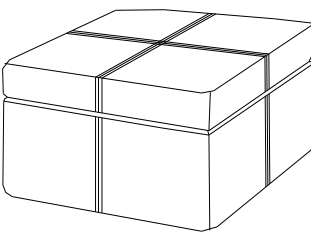
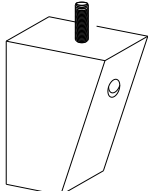
**WARNING: Should this product become damaged, and/or components are broken or missing, DO NOT USE.**

# SMALL STORAGE OTTOMAN WM3053BP2MWC / WM3053EP2MWC

## HARDWARE LIST

<b>1</b>	
	$\varnothing$ 3/16 " X 1-9/16"
	<b>SCREW</b> 4 PCS

## PARTS LIST

<b>A</b>	<b>B</b>
	
<b>OTTOMAN</b> 1 PC	<b>FOOT</b> 4 PCS

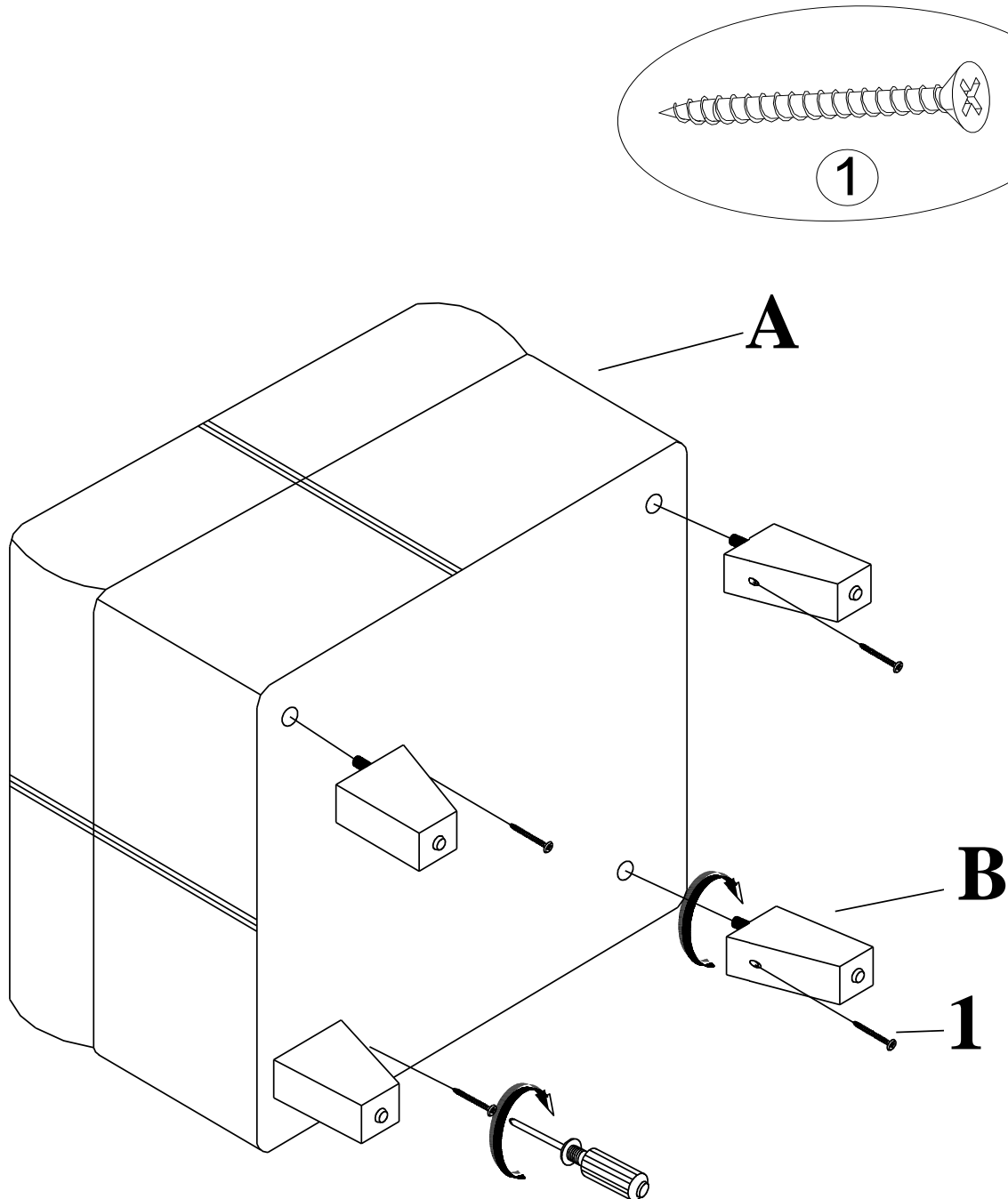
**NOTE: THE OTTOMAN FEET AND SCREWS ARE  
PACKAGED INSIDE THE OTTOMAN.**

# SMALL STORAGE OTTOMAN

## WM3053BP2MWC / WM3053EP2MWC

### STEP 1

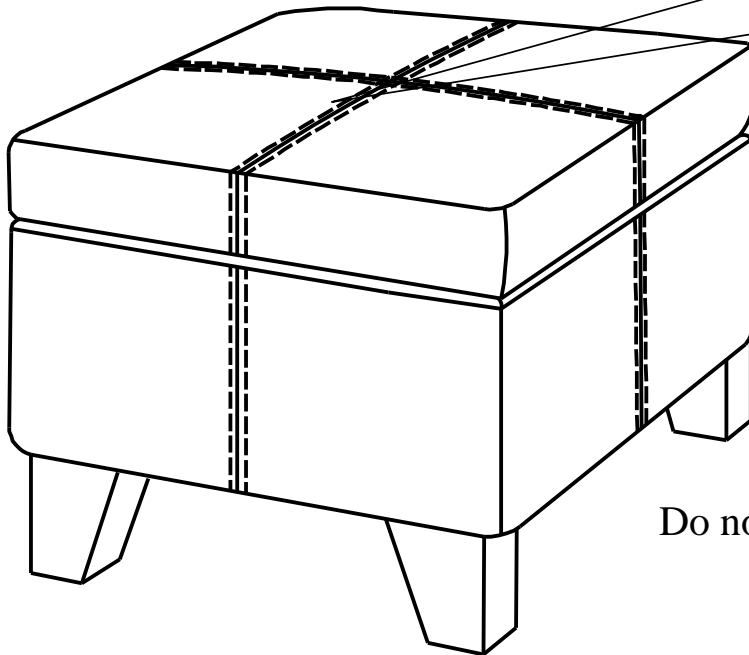
Attach feet (B) to ottoman (A) using screws (1). Tighten screws (1) with a Phillips head screw driver (not included).



# SMALL STORAGE OTTOMAN WM3053BP2MWC / WM3053EP2MWC



**CAUTION:** This unit is intended for use only with the products and/or maximum weights indicated. Use with other products and/or products heavier than the maximum weights indicated may result in instability or cause possible injury.



Maximum  
Weight- 50  
lbs

Do not use the ottoman as  
a step stool.

That's it ! You've finished assembling your ottoman.

**DO NOT RETURN PRODUCT TO THE STORE.**

If a part is missing or damaged, contact our customer service department. We will replace the part **FREE** of charge.



Tel #: 1-800-295-1980  
E-Mail: [das@dorel.com](mailto:das@dorel.com)  
Fax #: 514-353-7819

MODEL #: WM3053BP2MWC / WM3053EP2MWC

# Customer Service

**PLEASE DO NOT RETURN THIS PRODUCT TO THE STORE**

PLEASE CONTACT CUSTOMER SERVICE REPRESENTATIVES AT THE FOLLOWING NUMBERS SHOULD THERE BE ANY MISSING OR DEFECTIVE PART(S).

Customer Service Phone Number 1-800-295-1980

Email: [das@dorel.com](mailto:das@dorel.com)

Customer Service Fax Number 514-353-7819

Request Date:

Name:

Shipping Address:

Street & Number:

City & State:

Zip Code:

Day Time Phone Number:  
(including area code)

Date & Place of Purchase:

Part(s) description and quantity: (Please be sure to list model number or SKN number)

Customer Service Representative Mailing Address:

Customer Service Department No. 413, 12345 Albert-Hudon Boulevard, Suite 100, Montreal, QC, Canada, H1G 3L1