

DOREL ASIA

5-PIECE DINING SET

Model No: WM3629

UPC CODE:
0-65857-15756-7



NOTE:
THIS INSTRUCTION BOOKLET
CONTAINS **IMPORTANT** SAFETY
INFORMATION. PLEASE READ
AND KEEP FOR
FUTURE REFERENCE.

Lot number:

Date of purchase:

____ / ____ / ____

DO NOT RETURN PRODUCT TO THE STORE.

If a part is missing or damaged, contact our customer service department. We will replace the part **FREE** of charge.



Tel #: 1-800-295-1980
E-Mail: das@dorel.com
Fax #: 514-353-7819

CUSTOMER SERVICE

If you are missing parts or have any questions about this product, contact our customer service representative first!



CALL 1-800-295-1980

You can also order parts by writing to the address listed below. Please include the product model number, color and a detailed description of the part.

**Customer Service Department No. 413
12345 Albert-Hudon Boulevard, Suite 100**

Montreal, Quebec

Canada H1G 3L1

E-MAIL: das@dorel.com

WARNING

- *Ensure all parts and components are present before beginning assembly.
- *Assemble on soft, smooth surface to prevent damage to product finish.
- * Assembly and handling may require two people.
- * Estimated assembly time is 45 - 60 minutes.
- * Read all instructions completely before assembly.
- * **Do not** use power tools.
- * **CAUTION:** Adult assembly required.
- * Phillips head screw driver is not included.

CARE AND CLEANING

Dust table regularly with a soft, dry cloth to prevent soil build up. A dampened cloth may be used occasionally to clean the surface. Dry immediately and buff lightly, following the grain. Avoid using harsh cleaners and abrasive products. Use coasters to prevent the formation of moisture rings and trivets to protect from hot items. Cover extension leaves (if applicable) with a soft protective fabric before storing. Do not slide objects across the surface - always lift them.

MAINTENANCE

Check bolts/screws periodically and tighten them if necessary.

LIMITED WARRANTY

Dorel Asia warrants its product to be free from defects in material and workmanship and agrees to remedy any such defect. This warranty covers 1 year from the date of original purchase. This warranty is valid only upon presentation of proof of purchase. This is solely limited to the repair or replacement of defective furniture components and no assembly labor is included. This warranty does not apply to any product which has been improperly assembled, subjected to misuse or abuse or which has been altered or repaired in any way. This warranty gives you specific legal rights and you may also have other rights which vary from State to State.

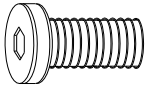

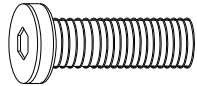



WARNING: Should this product become damaged, and/or components are broken or missing, DO NOT USE.

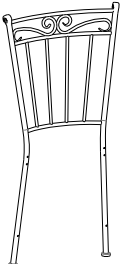


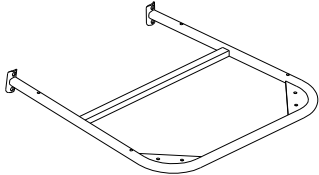
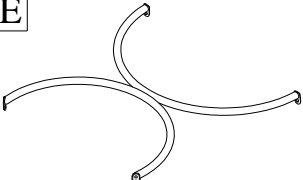




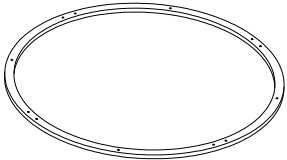
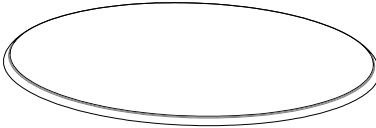
5-PIECE DINING SET

WM3629

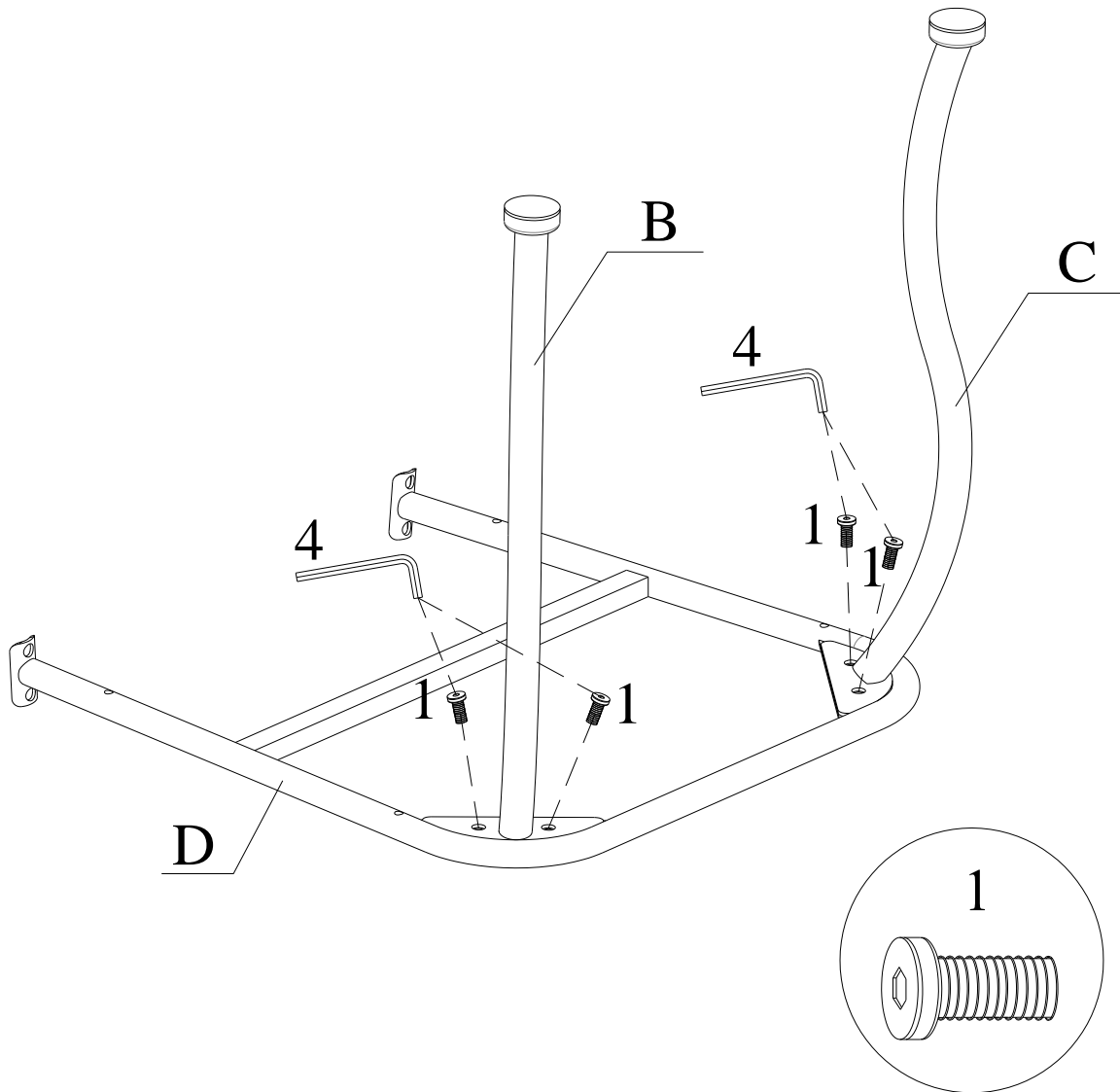
HARDWARE LIST

<p>1</p>  <p>Φ1/4" x 1/2"LG HEX SOCKET HEAD BOLT 64 PCS</p>	<p>2</p>  <p>Φ5/32" x 1-1/8"LG PHILLIPS COUNTERSINK HEAD SCREW 20 PCS</p>	<p>3</p>  <p>Φ1/4" x 3/4"LG HEX SOCKET HEAD BOLT 4 PCS</p>
<p>4</p>  <p>ALLEN KEY 1 PC</p>		

PARTS LIST

<p>A</p>  <p>BACK FRAME 4 PCS</p>	<p>B</p>  <p>CHAIR LEFT LEG 4 PCS</p>	<p>C</p>  <p>CHAIR RIGHT LEG 4 PCS</p>	<p>D</p>  <p>SEAT FRAME 4 PCS</p>
<p>E</p>  <p>CHAIR BASE FRAME - 4 PCS</p>	<p>F</p>  <p>SEAT BOARD 4 PCS</p>	<p>G</p>  <p>TABLE LEG 4 PCS</p>	<p>H</p>  <p>TABLE BASE FRAME - 1 PC</p>
<p>I</p>  <p>TABLE CENTER FRAME 1 PC</p>	<p>J</p>  <p>TABLE TOP FRAME 1 PC</p>	<p>K</p>  <p>TABLE TOP 1 PC</p>	

5-PIECE DINING SET WM3629



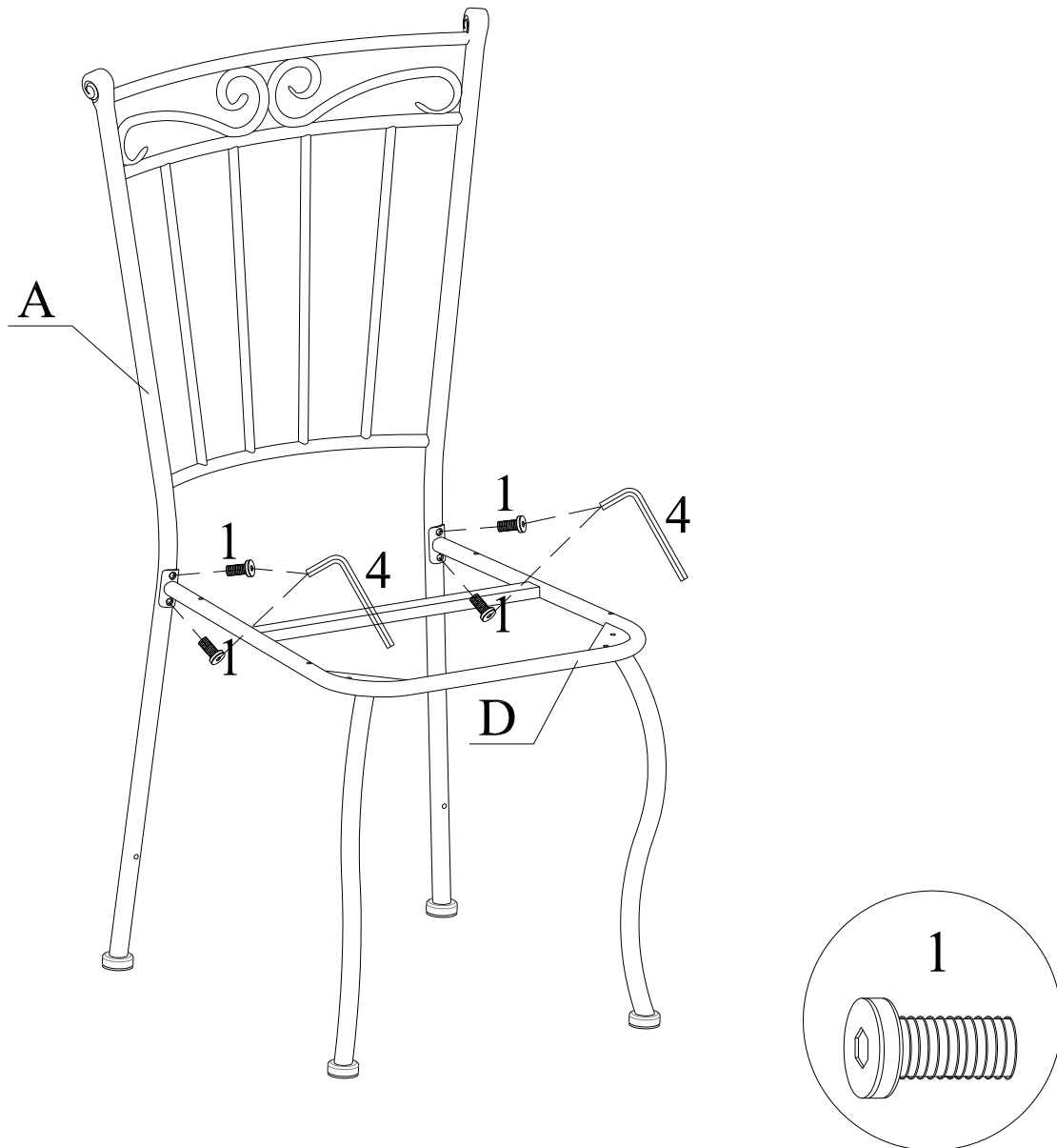
STEP 1

Attach left leg (B) and right leg (C) to the seat frame (D) with hex socket head bolts (1). Use Allen key (4) to tighten bolts (1).

NOTE: Do not fully tighten bolts. Loose bolts will help you to assemble other parts in the following steps.

5-PIECE DINING SET

WM3629



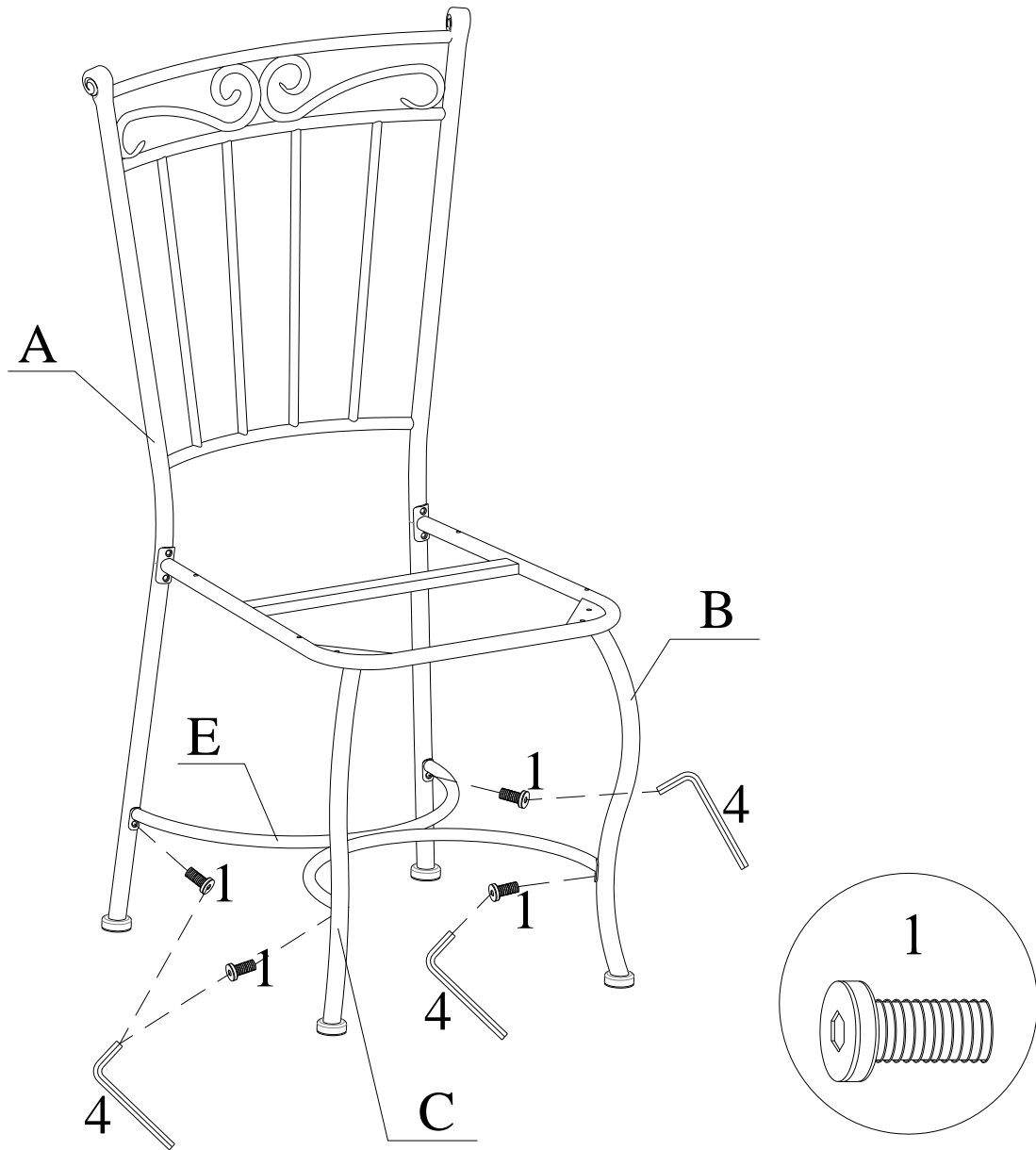
STEP 2

Attach seat frame (D) to back frame (A) with hex socket head bolts (1).
Use Allen key (4) to tighten bolts (1).

NOTE: Do not fully tighten bolts. Loose bolts will help you to assemble other parts in the following steps.

5-PIECE DINING SET

WM3629



STEP 3

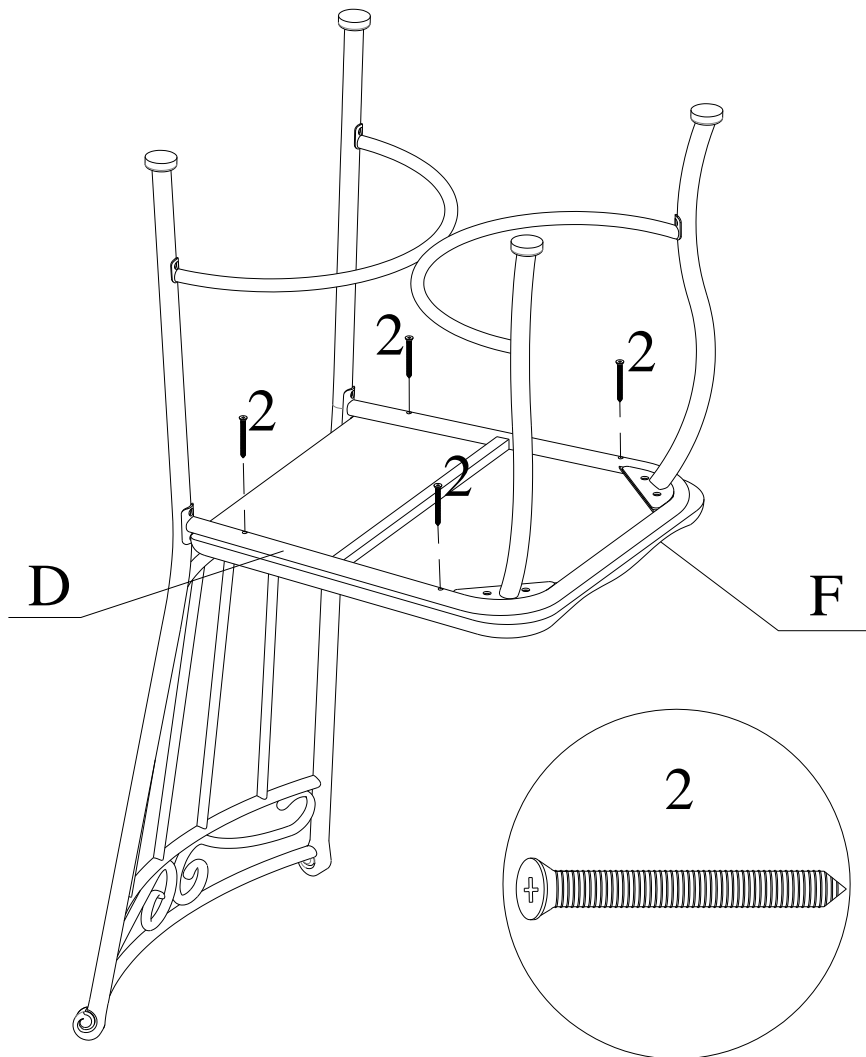
Attach chair base frame (E) to back frame (A) and left and right legs (B) & (C) with hex socket head bolts (1).

Use Allen key (4) to tighten bolts (1).

NOTE: The mounting brackets on chair base frame (E) have to be positioned in a way that they follow the angle with the chair legs. This will dictate whether it is upside down or not.

5-PIECE DINING SET

WM3629



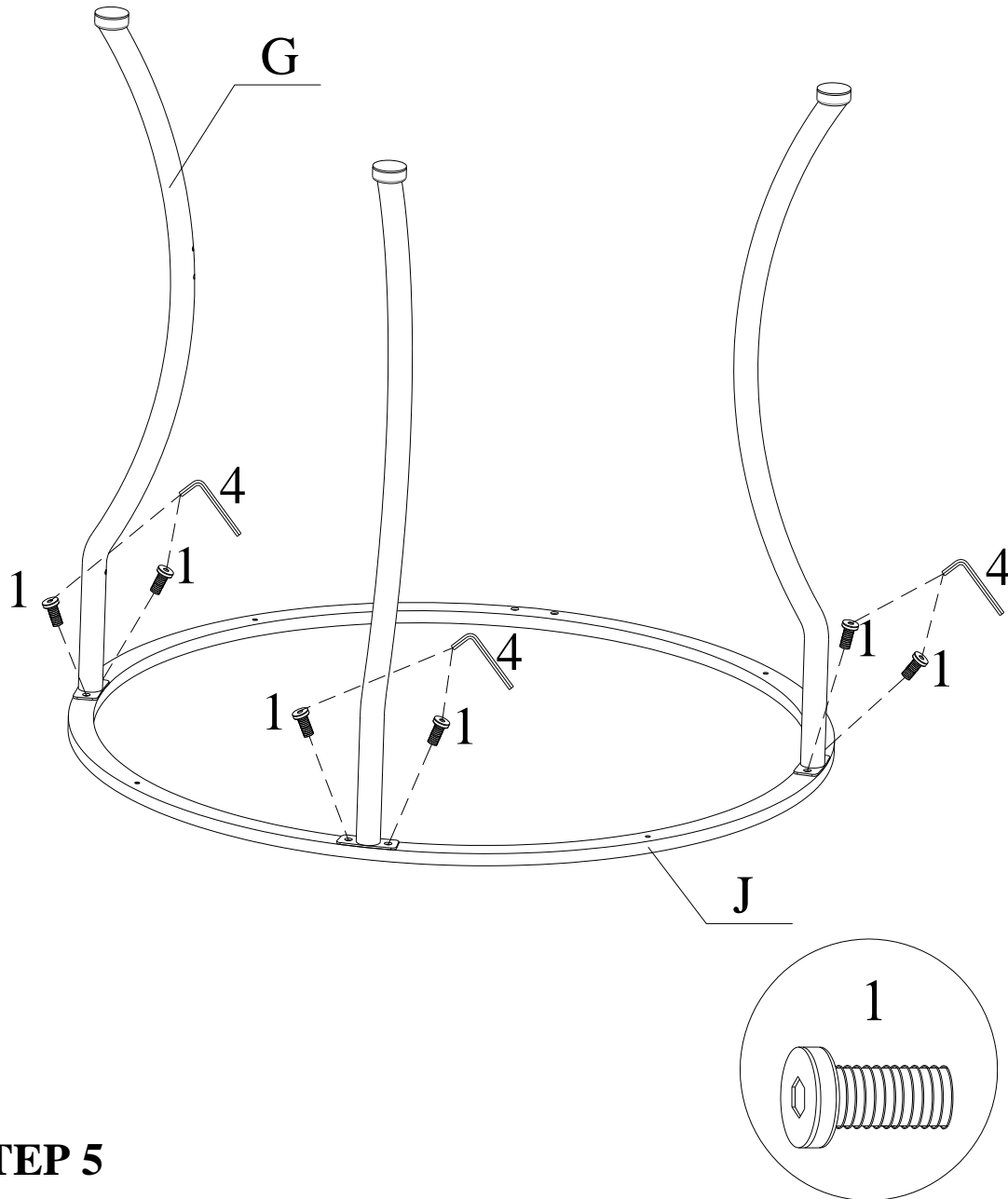
STEP 4

Place seat board (F) upside down on a clean, smooth surface.
Attach seat board (F) to seat frame (D) with Phillips countersink head screws (2).
Use Phillips head screw driver (not included) to install screws.
Repeat steps 1 through 4 to assemble remaining chairs.

NOTE: Phillips countersink head screws (2) will make their own holes. Do not use power tools to install screws and do not over tighten screws.

5-PIECE DINING SET

WM3629



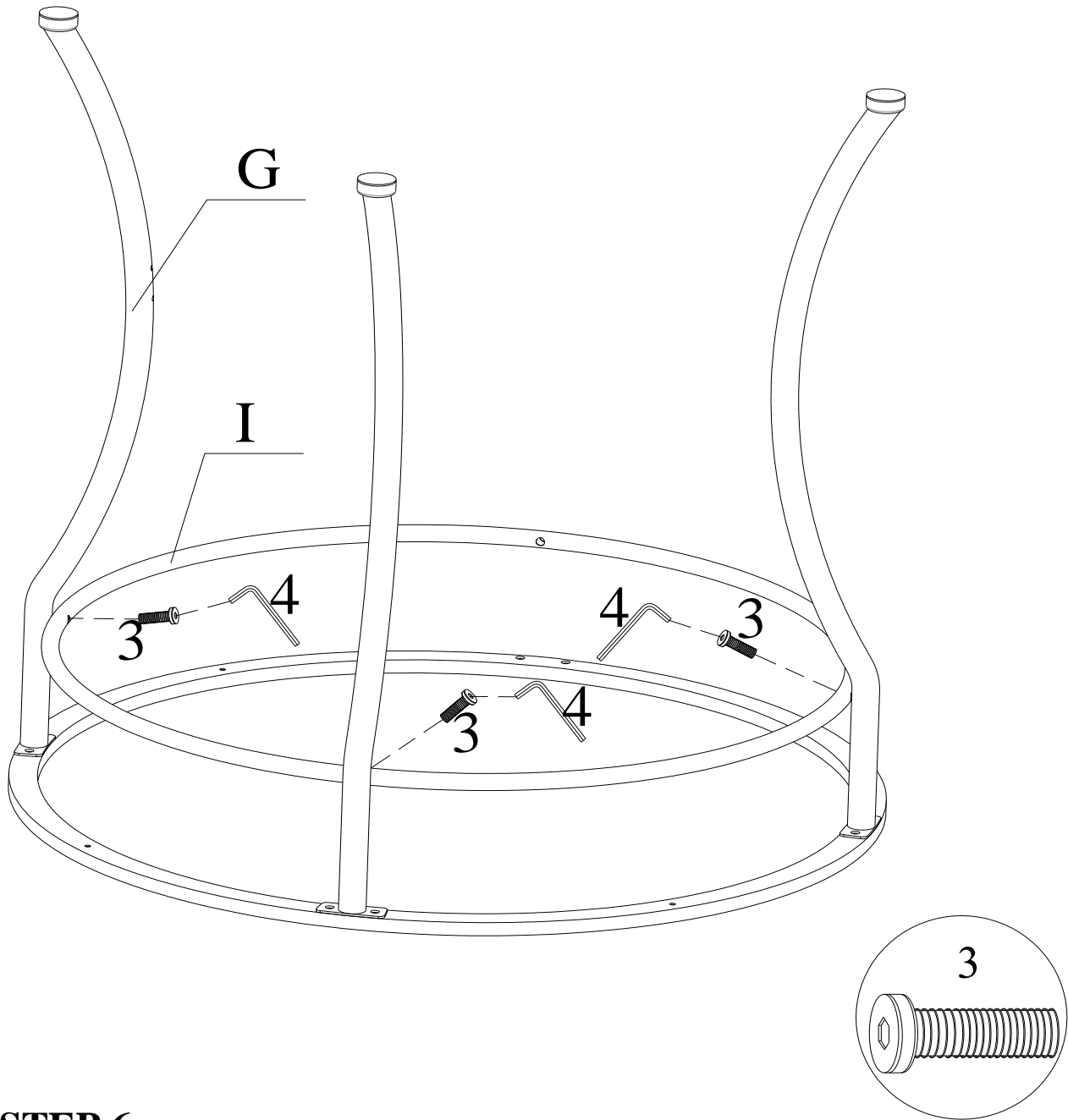
STEP 5

Attach three table legs (G) to table top frame (J) with hex socket head bolts (1).
Use Allen key (4) to install bolts.

NOTE: Do not fully tighten bolts. Loose bolts will help you to assemble other parts in the following steps.

5-PIECE DINING SET

WM3629



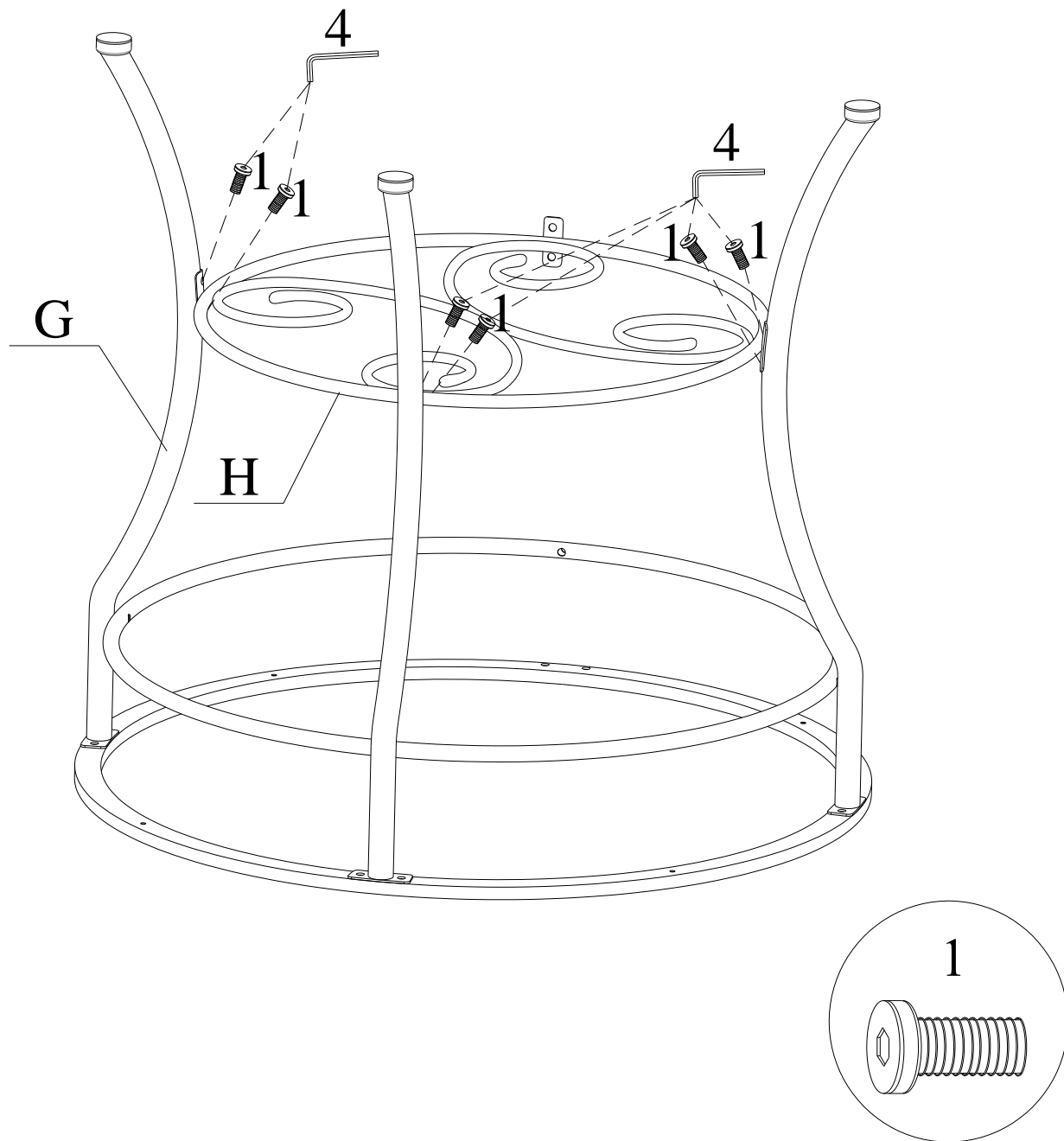
STEP 6

Attach table center frame (I) to table legs (G) with hex socket head bolts (3).
Use Allen key (4) to install bolts (3).

NOTE: Do not fully tighten bolts. Loose bolts will help you to assemble other parts in the following steps.

5-PIECE DINING SET

WM3629



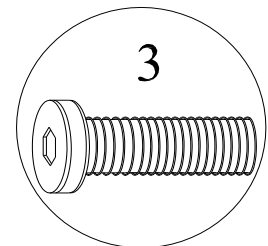
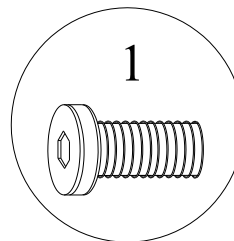
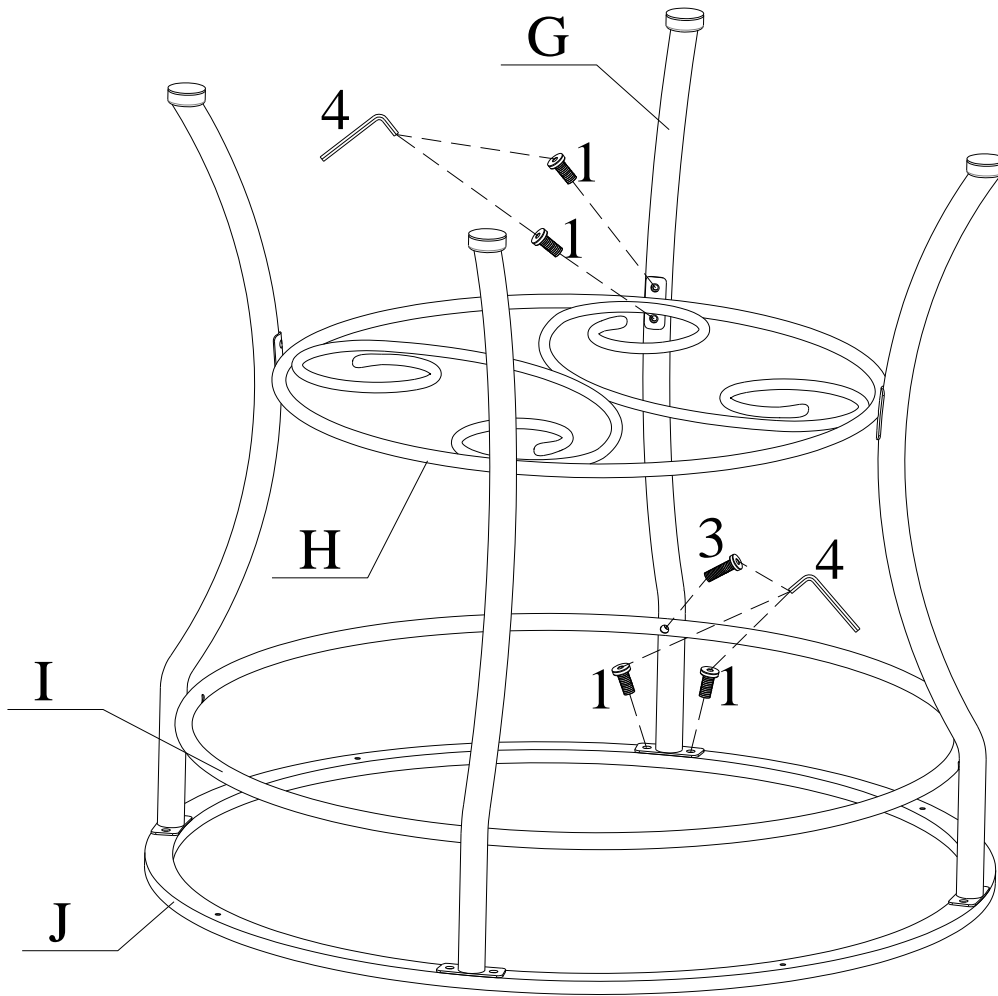
STEP 7

Attach table base frame (H) to table legs (G) with hex socket head bolts (1).
Use Allen key (4) to tighten bolts (1).

NOTE: Do not fully tighten bolts. Loose bolts will help you to assemble other parts in the following steps.

5-PIECE DINING SET

WM3629



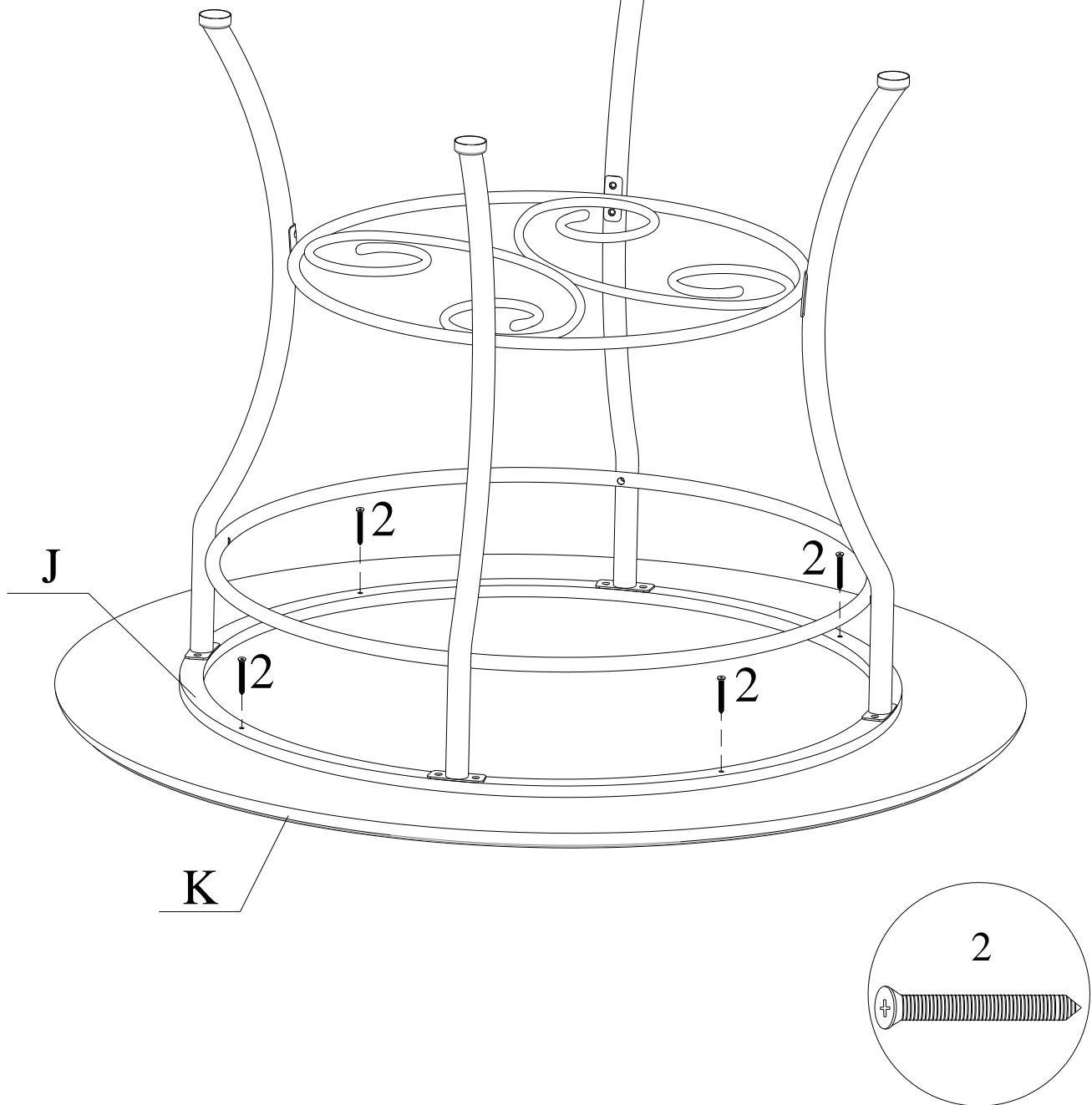
STEP 8

Attach the remaining table leg (G) to table top frame (J), table center frame (I) and table base frame (H) with hex socket head bolts (1) & (3) as shown above. Use Allen key (4) to tighten bolts.

NOTE: Do not fully tighten bolts. Loose bolts will help you to assemble other parts in the following steps.

5-PIECE DINING SET

WM3629



STEP 9

With the help of another person, gently place table top (K) on a smooth and clean surface.

Attach table top (K) to table top frame (J) with Phillips countersink head screws (2) using a Phillips head screwdriver (not included).

Fully tighten all bolts previously installed in steps 5, 6, 7 and 8

5-PIECE DINING SET

WM3629



CAUTION: This unit is intended for use only with the products and/or maximum weights indicated. Use with other products and/or products heavier than the maximum weights indicated may result in instability or cause possible injury.

Product
Maximum
Weight
50 lbs



That's it ! You've finished assembling your dining set.

DO NOT RETURN PRODUCT TO THE STORE.

If a part is missing or damaged, contact our customer service department. We will replace the part **FREE** of charge.



Tel #: 1-800-295-1980
E-Mail: das@dorel.com
Fax #: 514-353-7819

Customer Service

PLEASE DO NOT RETURN THIS PRODUCT TO THE STORE

PLEASE CONTACT CUSTOMER SERVICE REPRESENTATIVES AT THE FOLLOWING NUMBERS SHOULD THERE BE ANY MISSING OR DEFECTIVE PART(S).

Customer Service Phone Number 1-800-295-1980	Email: das@dorel.com
Customer Service Fax Number 514-353-7819	

Request Date:

Name:

Shipping Address:

Street & Number:

City & State:

Zip Code:

Day Time Phone Number:

(including area code)

Date & Place of Purchase:

Part(s) description and quantity: (Please be sure to list model number or SKN number)

Customer Service Representative Mailing Address:

Customer Service Department No. 413, 12345 Albert-Hudon Boulevard, Suite 100, Montreal, QC, Canada, H1G 3L1