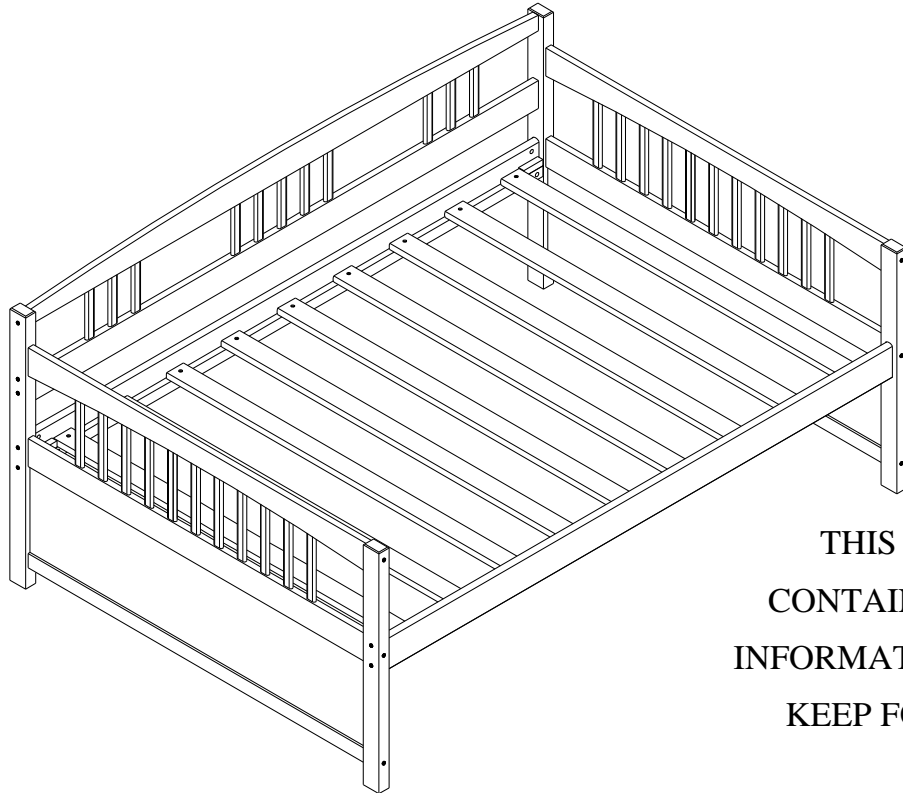


DOREL ASIA

DAYBED



Model No:

DA6312E Espresso

UPC CODE:

0-65857-16372-8

NOTE:

THIS INSTRUCTION BOOKLET
CONTAINS **IMPORTANT** SAFETY
INFORMATION. PLEASE READ AND
KEEP FOR FUTURE REFERENCE.

Lot number:

(TAKEN FROM CARTON)

Date of purchase:

____ / ____ / ____

DO NOT RETURN PRODUCT TO THE STORE.

If a part is missing or damaged, contact our customer service department. We will replace the part **FREE** of charge.



Tel #: 1-800-295-1980
E-Mail: das@dorel.com
Fax #: 514-353-7819

CUSTOMER SERVICE

If you are missing parts or have any questions about this product, contact our customer service representative first!

 **CALL 1-800-295-1980**

You can also order parts by writing to the address listed below. Please include the product model number, color and a detailed description of the part.

Customer Service Department No. 413
12345 Albert-Hudon Boulevard, Suite 100
Montreal, Quebec
Canada, H1G 3L1
E-MAIL: das@dorel.com

NOTES

- * Ensure all parts and components are present before beginning assembly.
- * Assemble on a soft, smooth surface to prevent damage to the product finish.
- * Read all instructions before use.
- * A Phillips Head screw driver is not included.
- * **DO NOT** use power tools.
- * **CAUTION:** Adult assembly required.
- * Assembly may require two people.
- * Estimated assembly time: 30 minutes.

CARE AND CLEANING

Dust regularly with a soft, lint-free cloth to prevent soil build-up. A damp cloth may be used occasionally to clean surface. Dry immediately. Do not use any abrasives that may damage finish. Excessive exposure to sunlight and extreme changes in temperature and moisture can damage wood furniture.

MAINTENANCE

Check bolts/screws periodically and tighten them if necessary.

LIMITED WARRANTY

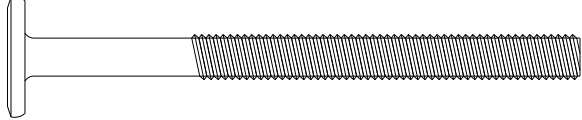
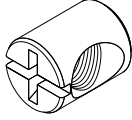
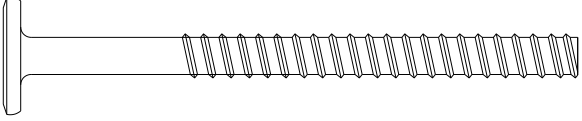
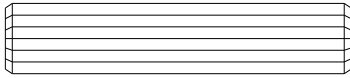

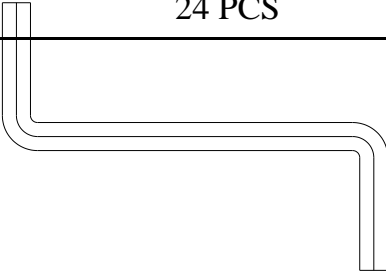
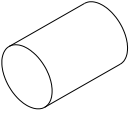
Dorel Asia warrants its product to be free from defects in material and workmanship and agrees to remedy any such defect. This warranty covers 1 year from the date of original purchase. This warranty is valid only upon presentation of proof of purchase. This is solely limited to the repair or replacement of defective furniture components and no assembly labor is included. This warranty does not apply to any product which has been improperly assembled, subjected to misuse or abuse or which has been altered or repaired in any way. This warranty gives you specific legal rights and you may also have other rights which vary from State to State.



WARNING: Should this product become damaged, and/or components are broken or missing, DO NOT USE.



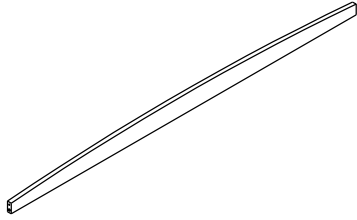
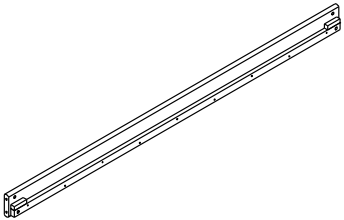
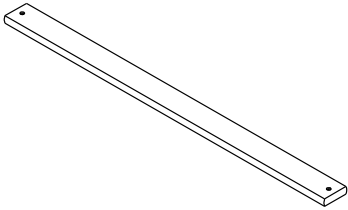
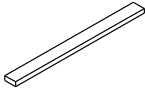
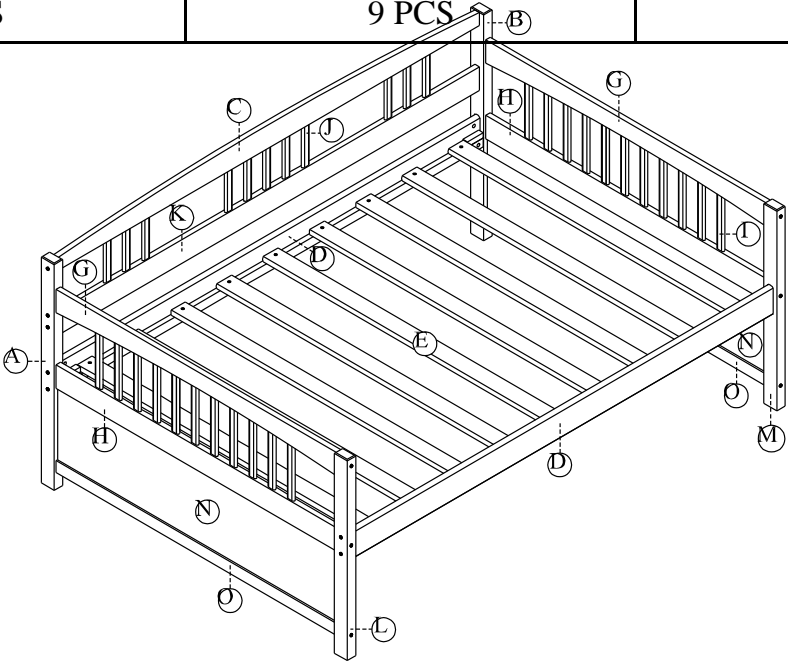
DAYBED DA6312E

HARDWARE LIST

<p>1</p>  <p>Ø1/4" X 80mm</p>	<p>2</p>  <p>Ø11.8mm X 15mm</p>
<p>JOINT CONNECTOR (4mm HEX HEAD) 8 PCS</p>	<p>BARREL NUT 8 PCS</p>
<p>3</p>  <p>Ø6.5mm X 80mm</p>	<p>4</p>  <p>Ø10mm X 50mm</p>
<p>WOOD JOINT CONNECTOR (4mm HEX HEAD) 18 PCS</p>	<p>WOOD DOWEL 24 PCS</p>
<p>5</p>  <p>Ø4mm X 35mm</p>	<p>6</p> 
<p>FLAT HEAD SCREW 18 PCS</p>	<p>HEX KEY 1 PC</p>
<p>7</p>  <p>STOPPER 33 PCS</p>	

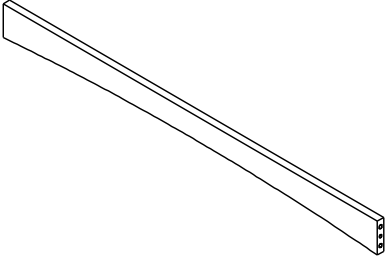
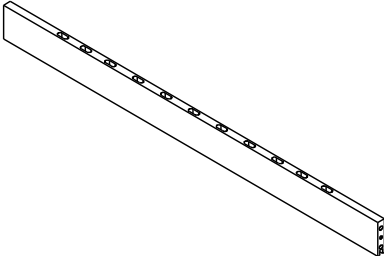


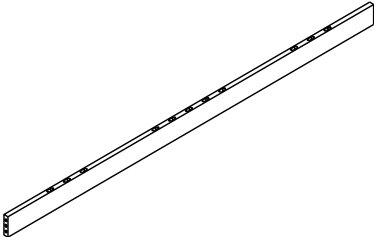


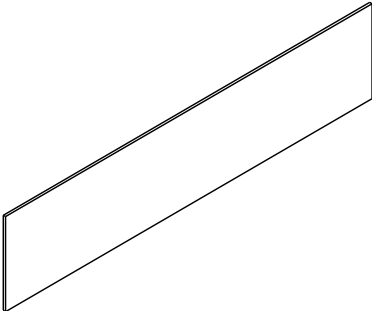
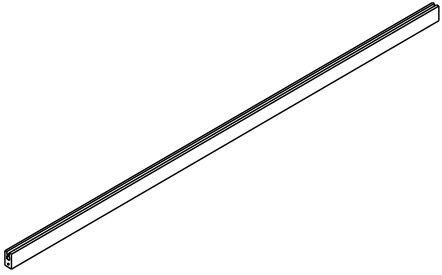
DAYBED DA6312E

PARTS LIST

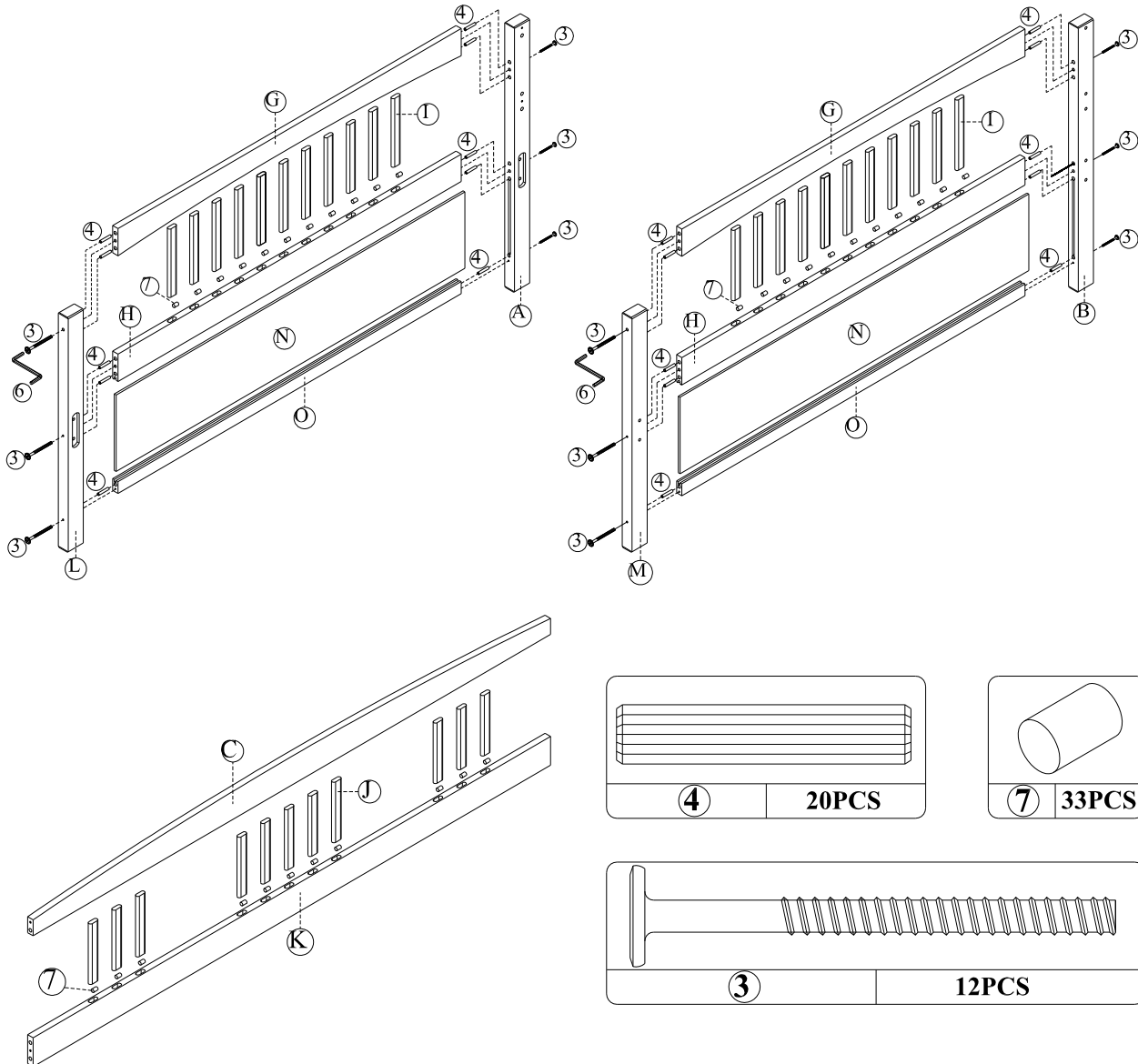
<p>A</p> 	<p>B</p> 	<p>C</p> 
<p>LEFT BACK POST 1 PC</p>	<p>RIGHT BACK POST 1 PC</p>	<p>TOP RAIL 1 PC</p>
<p>D</p> 	<p>E</p> 	<p>F</p> 
<p>FRONT / BACK RAIL 2 PCS</p>	<p>SLAT 9 PCS</p>	<p>SPACE BLOCK 2 PCS</p>
		

DAYBED DA6312E

PARTS LIST

G 	H 	I 
SIDE FRAME TOP RAIL 2 PCS	SIDE FRAME CENTER RAIL 2 PCS	SIDE FRAME SLAT 22 PCS
J 	K 	L 
BACK FRAME SLAT 11 PCS	BOTTOM RAIL 1 PC	LEFT FRONT POST 1 PC
M 	N 	O 
RIGHT FRONT POST 1 PC	SIDE FRAME PANEL 2 PCS	SIDE FRAME BOTTOM RAIL 2 PCS

DAYBED DA6312E



STEP 1

Insert wood dowels (4) into ends of side frame top rail (G) and side frame center rail (H). Insert stoppers (7) and side frame slats (I) into the side frame center rail (H) and push down until firmly in place. Attach the side frame top rail (G) to the side frame slats (I).

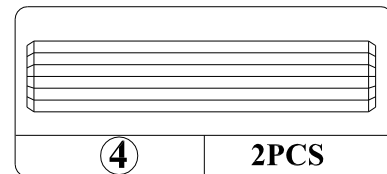
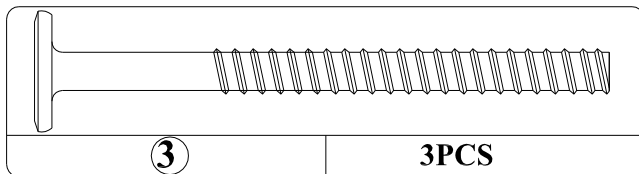
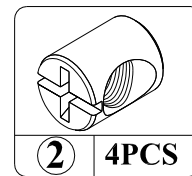
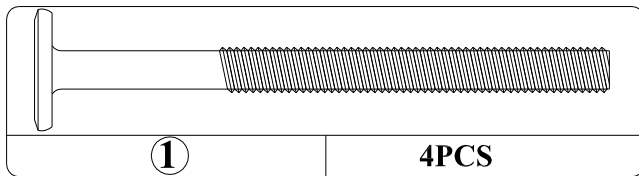
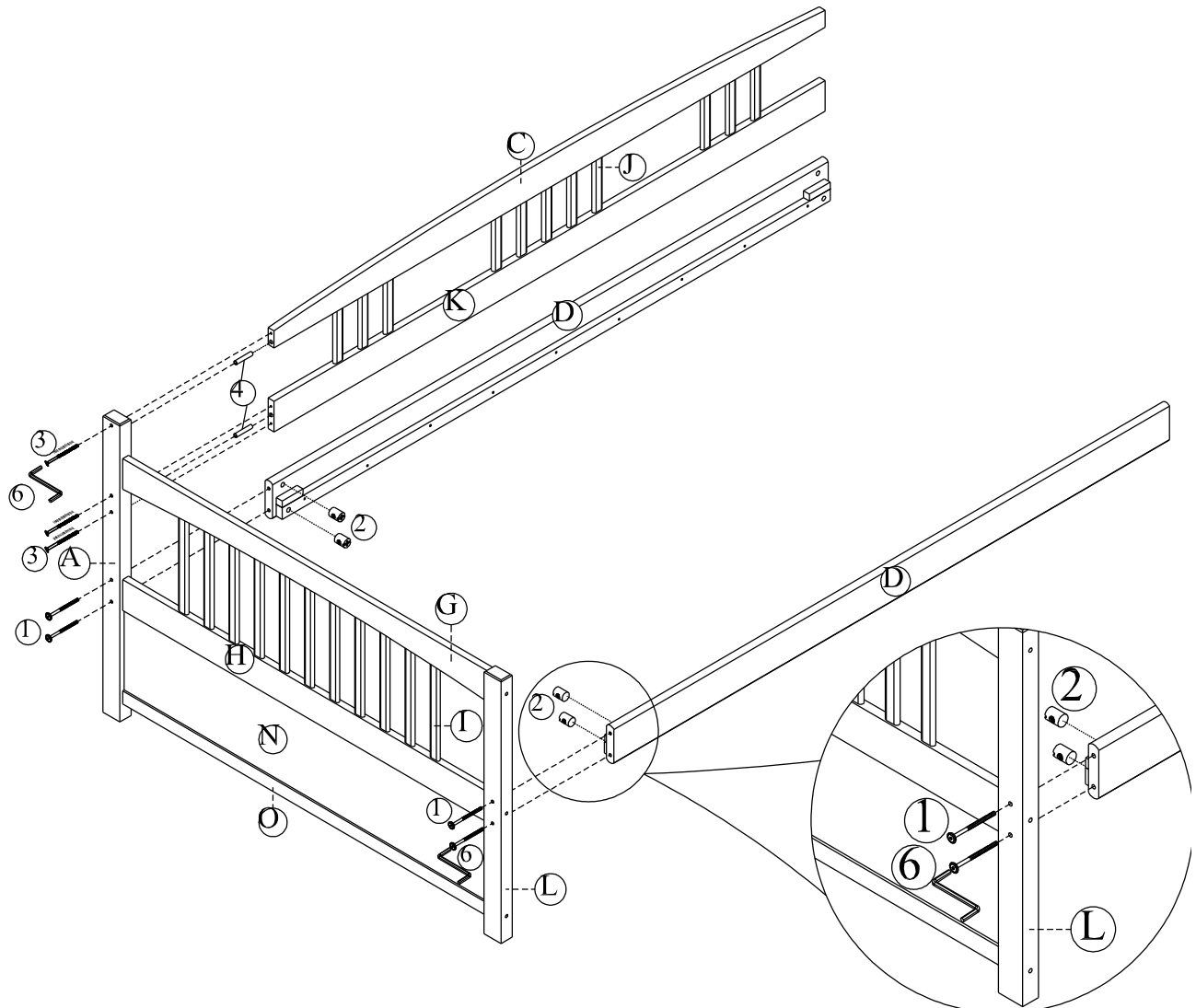
Insert the side frame bottom panel (N) into the grooves of posts (A & L). Attach left back post (A) and left front post (L) to side frame top rail (G), side frame center rail (H) and side frame bottom rail (O) with wood joint connectors (3) as shown. Use Hex key (6) to tighten wood joint connectors (3).

Repeat the previous step to assemble the other side frame with right back post (B) and right front post (M).

NOTE: Rails (G,H and O) may require that they be pulled closer together or further apart in order to allow wood dowels (4) to align with holes in posts (A & L) and (B & M).

Insert stoppers (7) and back frame slats (J) into the bottom rail (K) and push down until firmly in place. Slide the top rail (C) onto the back frame slats (J).

DAYBED DA6312E

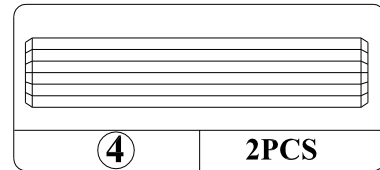
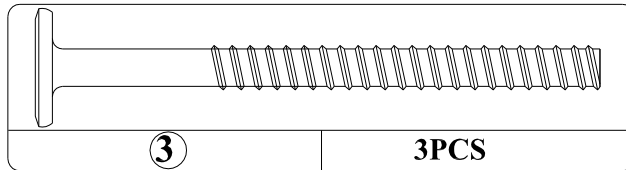
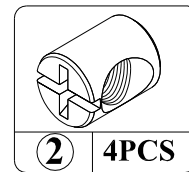
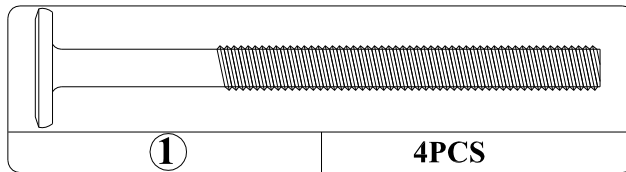
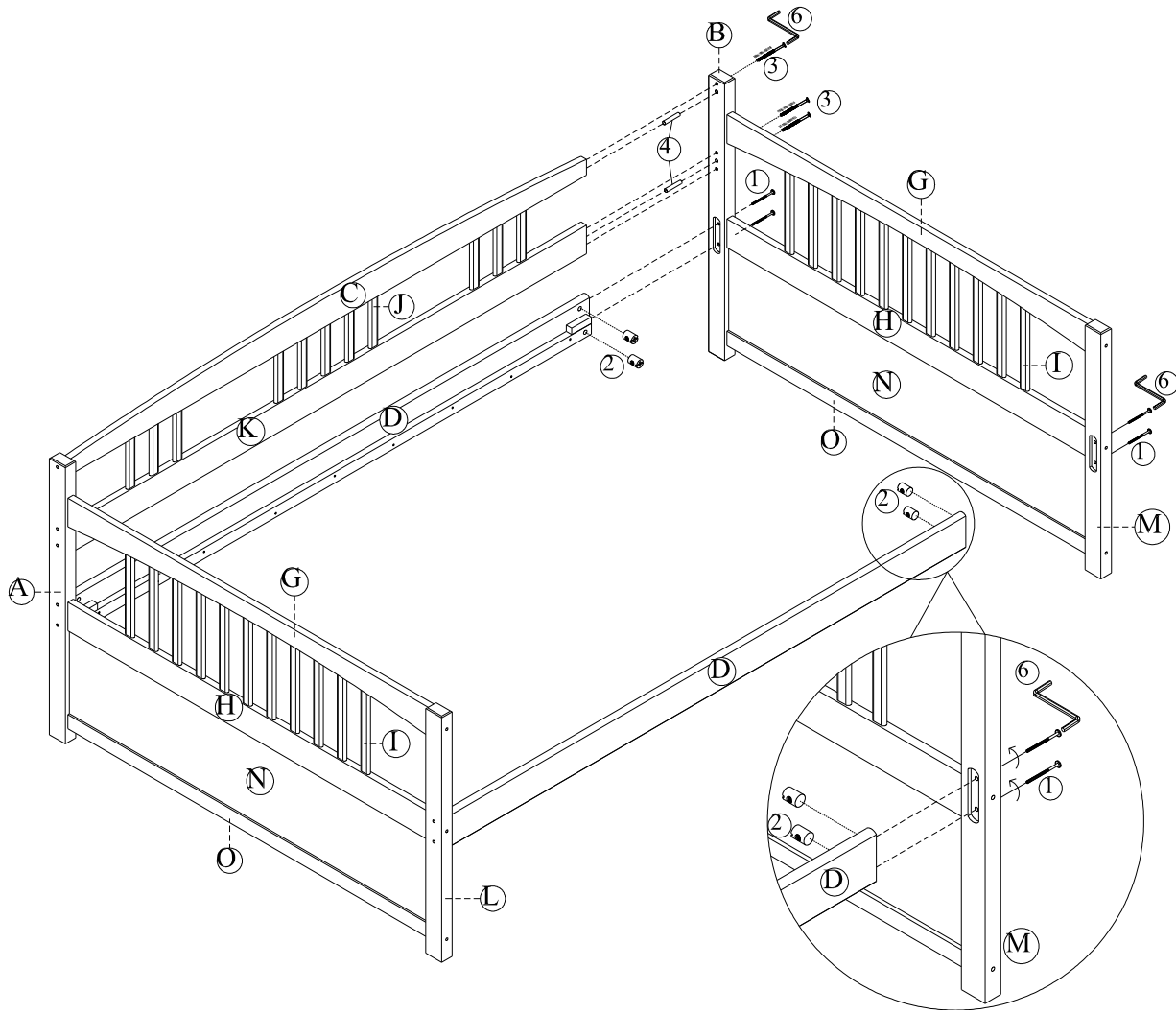


STEP 2

Insert wood dowels (4) into top/bottom rails (C & K) as shown. Attach top/bottom rails (C & K) to the left back post (A) with wood joint connectors (3). Use Hex key (6) to tighten them.
 Insert barrel nuts (2) into front/back rails (D). Attach front/back rails (D) to the left posts (A & L) with joint connectors (1). Use Hex key (6) to tighten them.

Note: Do not fully tighten the bolts. Leaving the bolts loose will facilitate assembly in the following steps.

DAYBED DA6312E

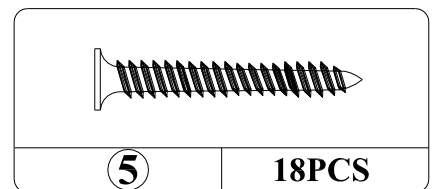
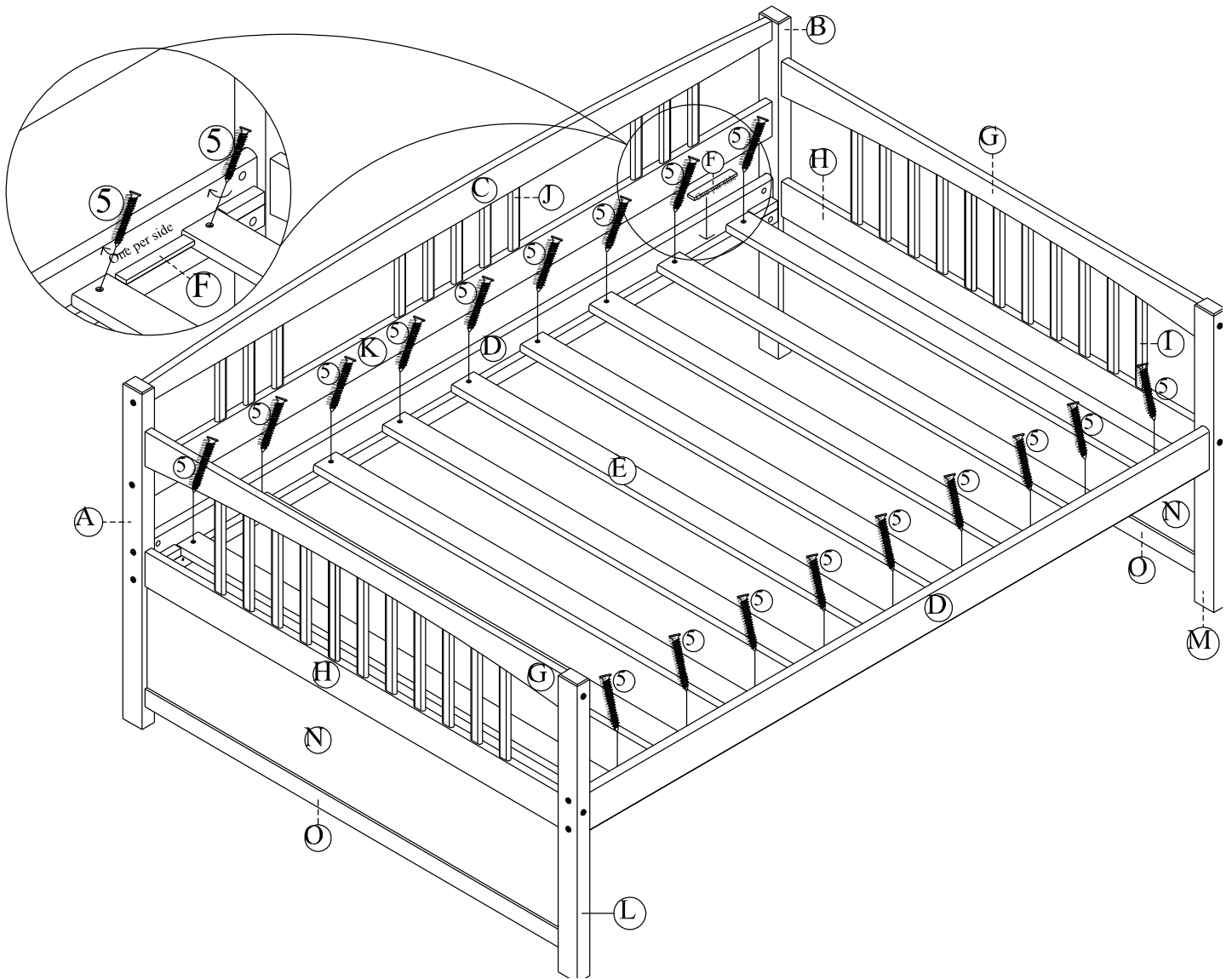


STEP 3

Insert wood dowels (4) into top/bottom rails (C & K) as shown. Attach top/bottom rails (C & K) to the right back post (B) with wood joint connectors (3).

Insert barrel nuts (2) into front/back rails (D). Attach front/back rails (D) to the right posts (B & M) with joint connectors (1). Use Hex key (6) to tighten all the bolts previously installed.


DAYBED DA6312E

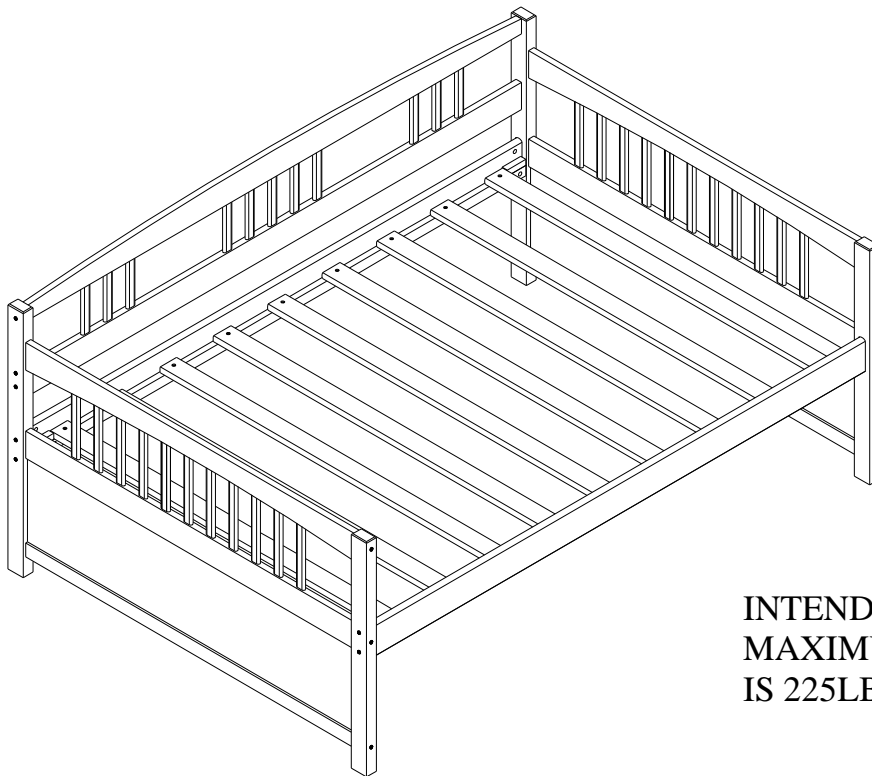


STEP 4

Attach slats (E) to front/back rails (D) with flat head screws (5). Use space blocks (F) to space them out evenly. Tighten all flat head screws (5) with a Phillips head screwdriver (not included).

DAYBED DA6312E

 **CAUTION:** This unit is intended for use only with the products and/or maximum weights indicated. Use with other products and/or products heavier than the maximum weights indicated may result in instability or cause possible injury.



INTENDED
MAXIMUM WEIGHT
IS 225LBS

That's it ! You've finished assembling your Daybed.

DO NOT RETURN PRODUCT TO THE STORE.

If a part is missing or damaged, contact our customer service department. We will replace the part **FREE** of charge.



Tel #: 1-800-295-1980
E-Mail: das@dorel.com
Fax #: 514-353-7819

Customer Service

PLEASE DO NOT RETURN THIS PRODUCT TO THE STORE

PLEASE CONTACT CUSTOMER SERVICE REPRESENTATIVES AT THE FOLLOWING NUMBERS SHOULD THERE BE ANY MISSING OR DEFECTIVE PART(S).

Customer Service Phone Number 1-800-295-1980	Email: das@dorel.com
Customer Service Fax Number 514-353-7819	

Request Date:

Name:

Shipping Address:

Street & Number:

City & State:

Zip Code:

Day Time Phone Number:

(including area code)

Date & Place of Purchase:

Part(s) description and quantity: (Please be sure to list model number or SKN number)

Customer Service Representative Mailing Address:

Customer Service Department No. 413, 12345 Albert-Hudon Boulevard, Suite 100, Montreal, QC, Canada, H1G 3L1