

DOREL ASIA

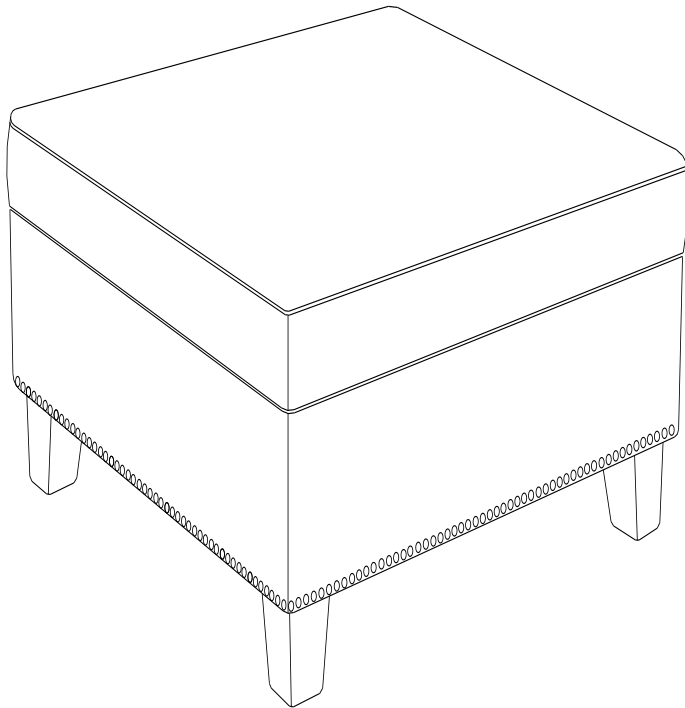
**CUBE STORAGE
OTTOMAN**

Model No:

DA6391

UPC CODE:

0-65857-16487-9



NOTE:

THIS INSTRUCTION BOOKLET
CONTAINS **IMPORTANT** SAFETY
INFORMATION. PLEASE READ AND
KEEP FOR FUTURE REFERENCE.

Lot number:

(TAKEN FROM CARTON)

Date of purchase:

____ / ____ / ____

DO NOT RETURN PRODUCT TO THE STORE.

If a part is missing or damaged, contact our customer service
department. We will replace the part **FREE** of charge.



Tel #: 1-800-295-1980

E-Mail: das@dorel.com

CUSTOMER SERVICE

If you are missing parts or have any questions about this product, contact our customer service representative first!

 **CALL 1-800-295-1980**

You can also order parts by writing to the address listed below. Please include the product model number, color and a detailed description of the part.

Customer Service Department No. 413
12345 Albert-Hudon Boulevard, Suite 100
Montreal, Quebec
Canada H1G 3L1
E-MAIL: das@dorel.com

NOTES

- * Ensure that all parts and components are located before beginning assembly.
- * Assembly may require two people.
- * Assemble on soft surfaces to prevent damage to the product finish.
- * Read all instructions completely before assembly.
- * Phillips head screwdriver is not included.
- * Do not use power tools.
- * CAUTION: Adult assembly required.
- * Estimated assembly time: 10 minutes

CARE AND CLEANING

Wipe away spills immediately to prevent staining. Use a cloth dampened with water or a professional product to clean the fabric. Always test an inconspicuous area first. Allow upholstery to dry and brush lightly. Keep away from heat to avoid glazing, melting or scorching.

MAINTENANCE

Check bolts/screws periodically and tighten them if necessary.

LIMITED WARRANTY

Dorel Asia warrants its product to be free from defects in material and workmanship and agrees to remedy any such defect. This warranty covers 1 year from the date of original purchase. This warranty is valid only upon presentation of proof of purchase. This is solely limited to the repair or replacement of defective furniture components and no assembly labor is included. This warranty does not apply to any product which has been improperly assembled, subjected to misuse or abuse or which has been altered or repaired in any way. Any wearing, tearing or fading of the fabric is not covered under the warranty. This warranty gives you specific legal rights and you may also have other rights which vary from State to State.

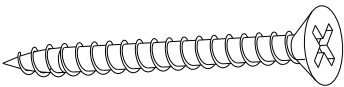


WARNING: Should this product become damaged, and/or components are broken or missing, DO NOT USE.

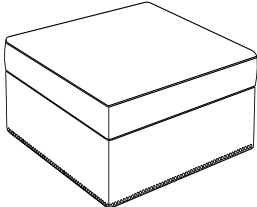
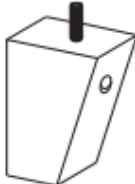
CUBE STORAGE OTTOMAN

DA6391

HARDWARE LIST

1	 $\varnothing 3/16$ " X 1-9/16"
SCREW 4 PCS	

PARTS LIST

A 	B 
OTTOMAN BODY 1 PC	FOOT 4 PCS

NOTE: THE OTTOMAN FEET AND SCREWS ARE PACKED INSIDE THE OTTOMAN.

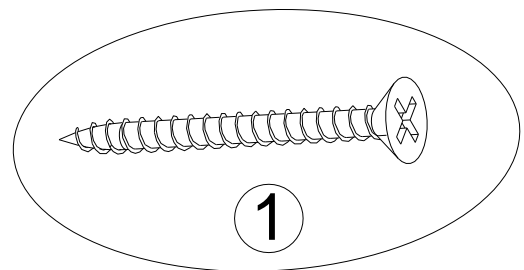
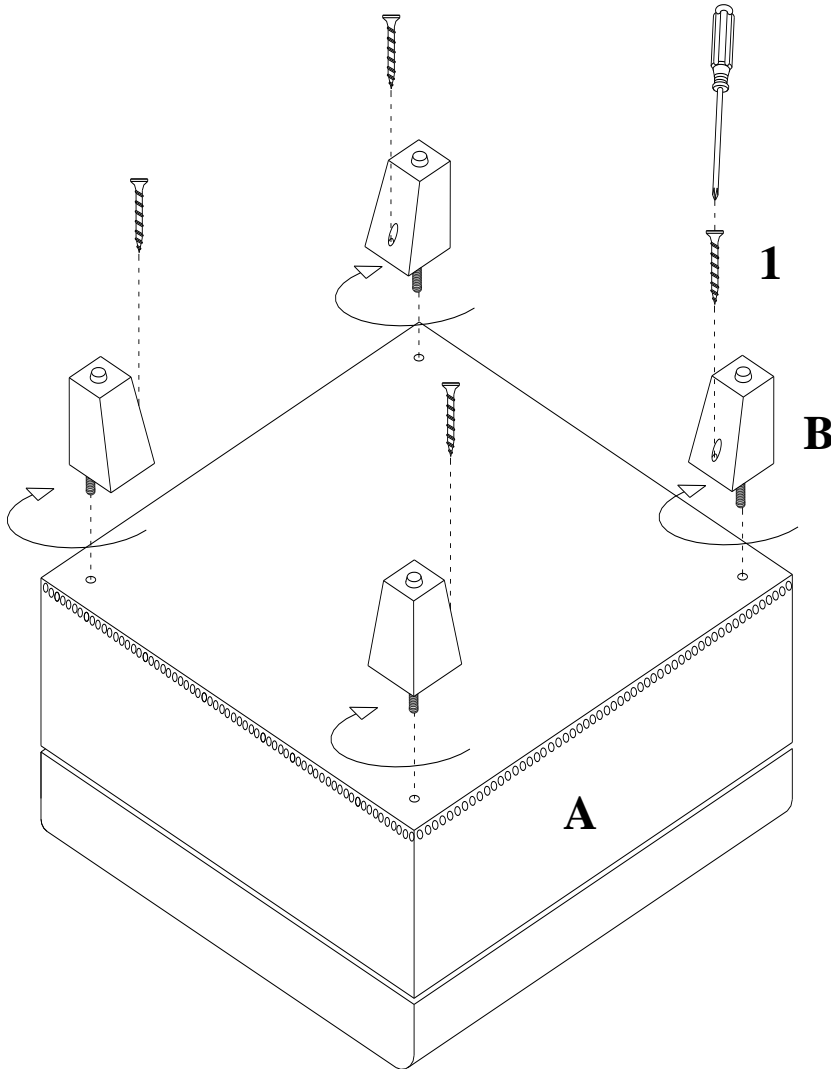
CUBE STORAGE OTTOMAN

DA6391

STEP 1:

Place all parts on a soft and clean surface.

Attach feet (B) to the ottoman body (A) using screws (1). Tighten screws (1) with Phillips head screw driver (not included).



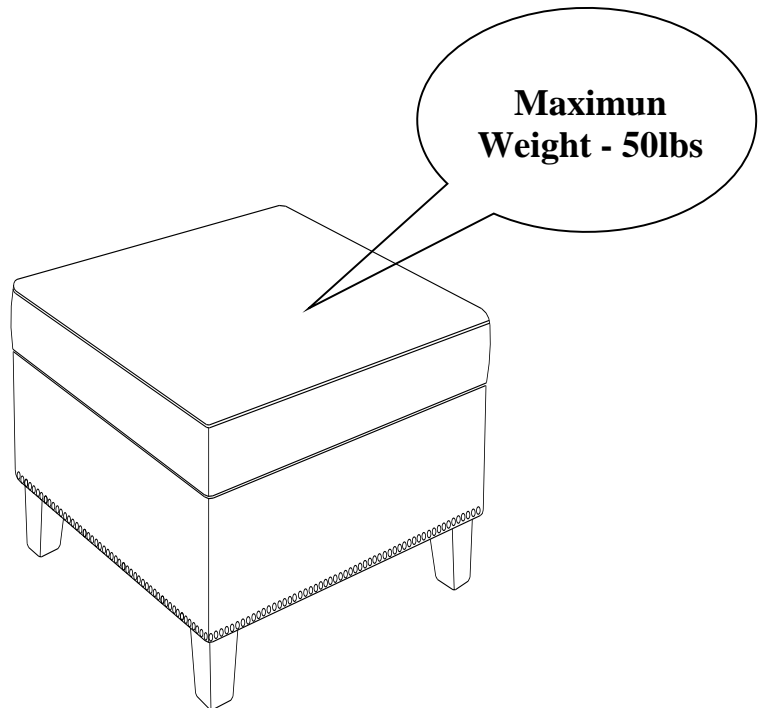
CUBE STORAGE OTTOMAN

DA6391



CAUTION: This unit is intended for use only with the products and/or maximum weights indicated. Use with other products and/or products heavier than the maximum weights indicated may result in instability or cause possible injury.

Dust regularly with a soft, dry cloth to prevent soil build-up. Wipe away spills immediately to prevent staining. Use a cloth dampened with water or a professional product to clean the fabric. Always test an inconspicuous area first. Allow upholstery to dry and brush lightly. Keep away from heat to avoid glazing, melting or scorching.



Do not use the ottoman as a step stool.

That's it! You've finished assembling your ottoman.

DO NOT RETURN PRODUCT TO THE STORE.

If a part is missing or damaged, contact our customer service department. We will replace the part **FREE** of charge.



Tel #: 1-800-295-1980
E-Mail: das@dorel.com
Fax #: 514-353-7819

Customer Service

PLEASE DO NOT RETURN THIS PRODUCT TO THE STORE

PLEASE CONTACT CUSTOMER SERVICE REPRESENTATIVES AT THE FOLLOWING NUMBERS SHOULD THERE BE ANY MISSING OR DEFECTIVE PART(S).

Customer Service Phone Number 1-800-295-1980

Email: das@dorel.com

Customer Service Fax Number 514-353-7819

Request Date:

Name:

Shipping Address:

Street & Number:

City & State:

Zip Code:

Day Time Phone Number:
(including area code)

Date & Place of Purchase:

Part(s) description and quantity: (Please be sure to list model number or SKN number)

Customer Service Representative Mailing Address:

Customer Service Department No. 413, 12345 Albert-Hudon Boulevard, Suite 100, Montreal, QC, Canada, H1G 3L1