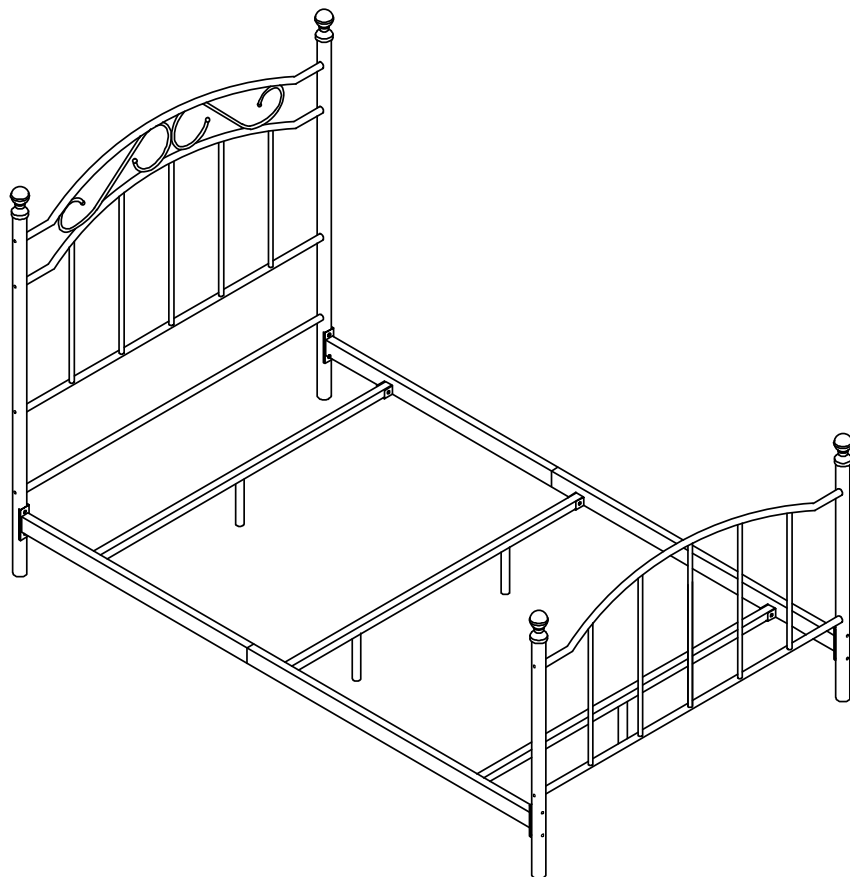


DOREL ASIA

Twin Metal Bed

Model No:
WM5278T-W

UPC CODE:
0-65857-16527-2



NOTE:

THIS INSTRUCTION BOOKLET
CONTAINS **IMPORTANT** SAFETY
INFORMATION. PLEASE READ AND
KEEP FOR FUTURE REFERENCE.

Lot number:
(TAKEN FROM CARTON)

Date of purchase:

____ / ____ / ____

DO NOT RETURN PRODUCT TO THE STORE.

If a part is missing or damaged, contact our customer service
department. We will replace the part **FREE** of charge.



Tel #: 1-800-295-1980
E-Mail: das@dorel.com
Fax #: 514-353-7819

CUSTOMER SERVICE

If you are missing parts or have any questions about this product, contact our customer service representative first!



CALL 1-800-295-1980

You can also order parts by writing to the address listed below. Please include the product model number, color and a detailed description of the part.

**Customer Service Department No. 413
12345 Albert-Hudon Boulevard, Suite 100
Montreal, Quebec
Canada H1G 3L1
E-MAIL: das@dorel.com**

NOTES:

- * Ensure all parts and components are present before beginning assembly.
- * Assemble on a soft, smooth surface to prevent damage to product finish.
- * Assembly and handling may require two people.
- * Estimated assembly time is 45 - 60 minutes.
- * **DO NOT** use power tools.
- * **CAUTION:** Adult assembly required.
- * Phillips head screw driver is not included.

CARE AND CLEANING

Dust this item regularly with a soft, lint-free cloth to prevent soil build up. Do not soak or wash in hot water. Wipe with a soft, damp cloth if necessary. Do not use abrasives, cleansers or polish.

MAINTENANCE

Check bolts/screws periodically and tighten them if necessary.

LIMITED WARRANTY

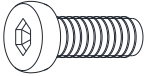






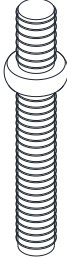
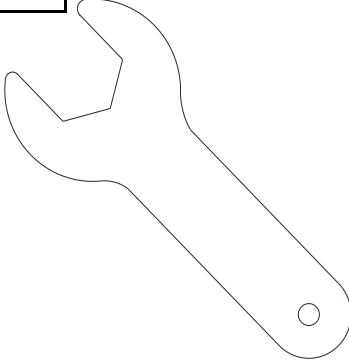

Dorel Asia warrants its product to be free from defects in material and workmanship and agrees to remedy any such defect. This warranty covers 1 year from the date of original purchase. This warranty is valid only upon presentation of proof of purchase. This is solely limited to the repair or replacement of defective furniture components and no assembly labor is included. This warranty does not apply to any product which has been improperly assembled, subjected to misuse or abuse or which has been altered or repaired in any way. This warranty gives you specific legal rights and you may also have other rights which vary from State to State.



WARNING: Should this product become damaged, and/or components are broken or missing, DO NOT USE.

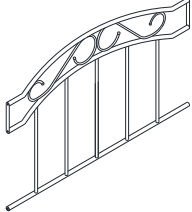

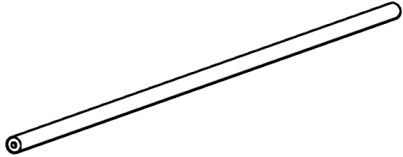
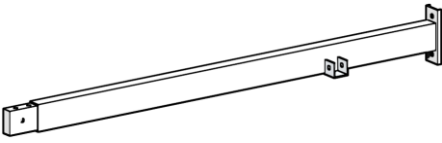
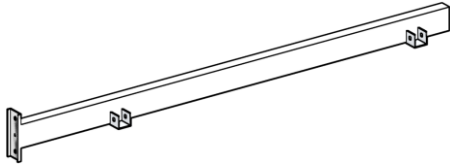
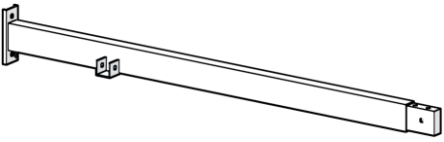
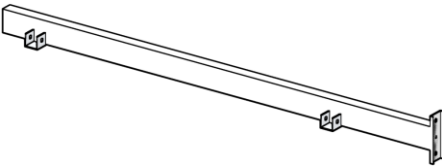
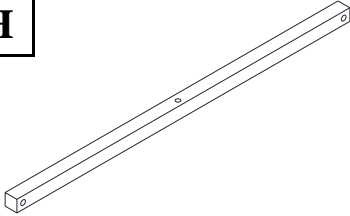
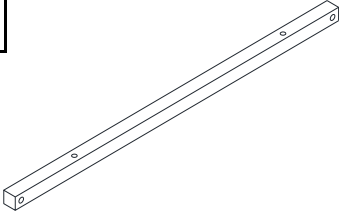

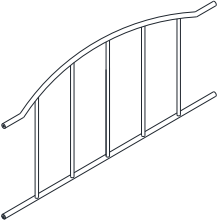

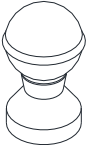
Twin Metal Bed WM5278T-W

HARDWARE LIST

1		2		3	
	Ø1/4" X 9/16"		Ø1/4" X 1-9/16"		Ø1/4" X 1-3/4"
	BOLT 6 PCS		BOLT 10 PCS		BOLT 8 PCS
4		5		6	
	Ø1/4" X 1-15/16"		Ø1/2" X 1/16"		Ø10 mm X 2 mm
	BOLT 12 PCS		FLAT WASHER 6 PCS		SPRING WASHER 6 PCS
7		8		9	
	10 mm X 6 mm		Ø10 mm X 35 mm		
	NUT 14 PCS		THREADED PIN 4 PCS		ALLEN KEY 1 PC
					ALLEN WRENCH 1 PC

Twin Metal Bed WM5278T-W

PARTS LIST

<p>A</p> 	<p>B</p> 	<p>C</p> 
<p>HEADBOARD 1 PC</p>	<p>HEADBOARD POST 2 PCS</p>	<p>BOTTOM CROSS BAR 1 PC</p>
<p>D</p> 	<p>E</p> 	<p>F</p> 
<p>LEFT SIDE RAIL (WITH 1 BRACKET) 1 PC</p>	<p>LEFT SIDE RAIL (WITH 2 BRACKETS) 1 PC</p>	<p>RIGHT SIDE RAIL (WITH 1 BRACKET) 1 PC</p>
<p>G</p> 	<p>H</p> 	<p>I</p> 
<p>RIGHT SIDE RAIL (WITH 2 BRACKETS) 1 PC</p>	<p>SLAT (WITH 1 HOLE) 2 PCS</p>	<p>SLAT (WITH 2 HOLES) 1 PC</p>
<p>J</p> 	<p>K</p> 	<p>L</p> 
<p>SUPPORT LEG 4 PCS</p>	<p>FOOTBOARD 1 PC</p>	<p>FOOTBOARD POST 2 PCS</p>
<p>M</p> 		
<p>FINIAL 4 PCS</p>		

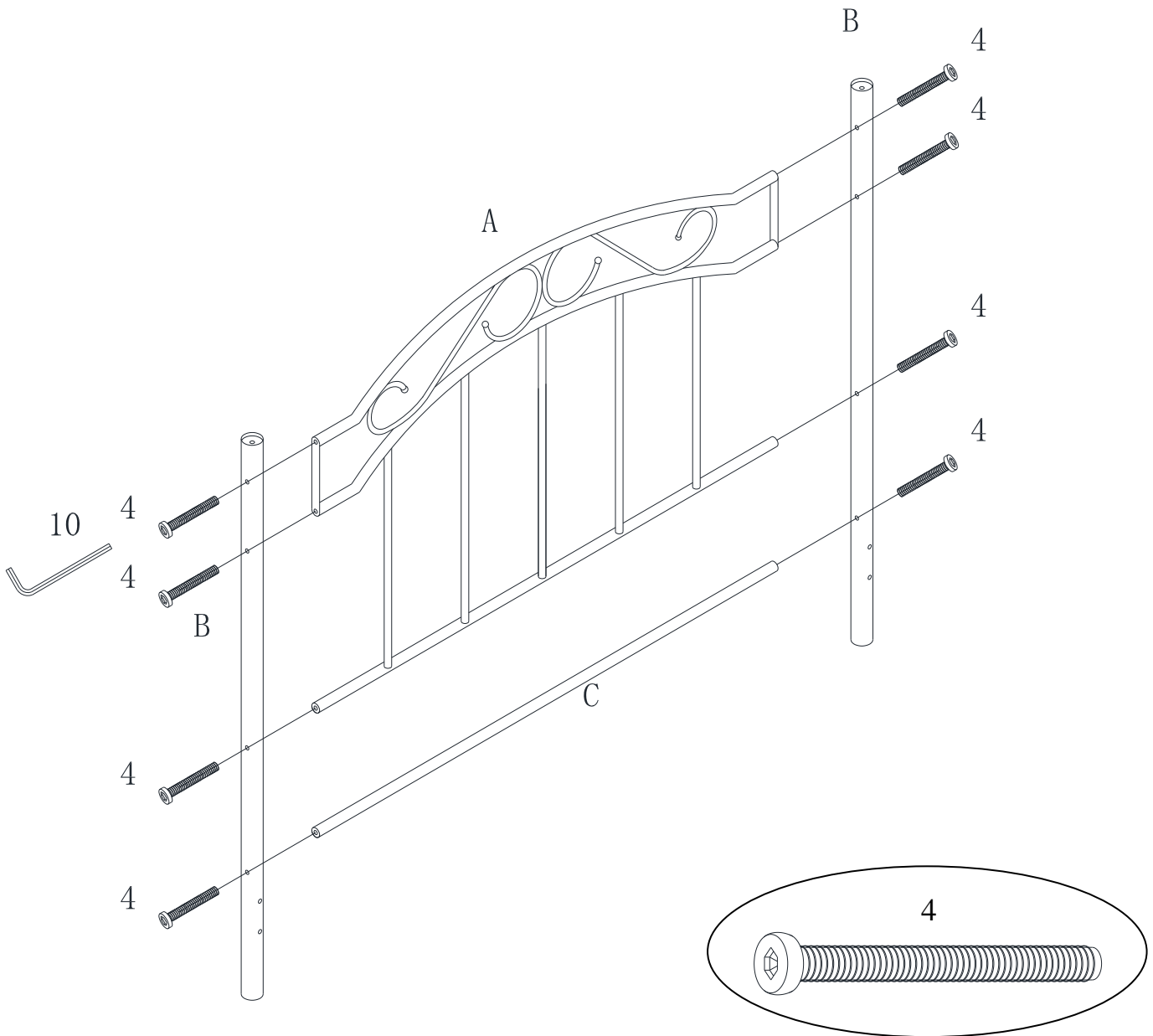
Twin Metal Bed

WM5278T-W

STEP 1

Attach the headboard (A) and bottom cross bar (C) to headboard posts (B) with bolts (4). Use Allen Key (10) to tighten the bolts.

NOTE: Do not fully tighten bolts. Leaving the bolts loose will facilitate assembly in the following steps.

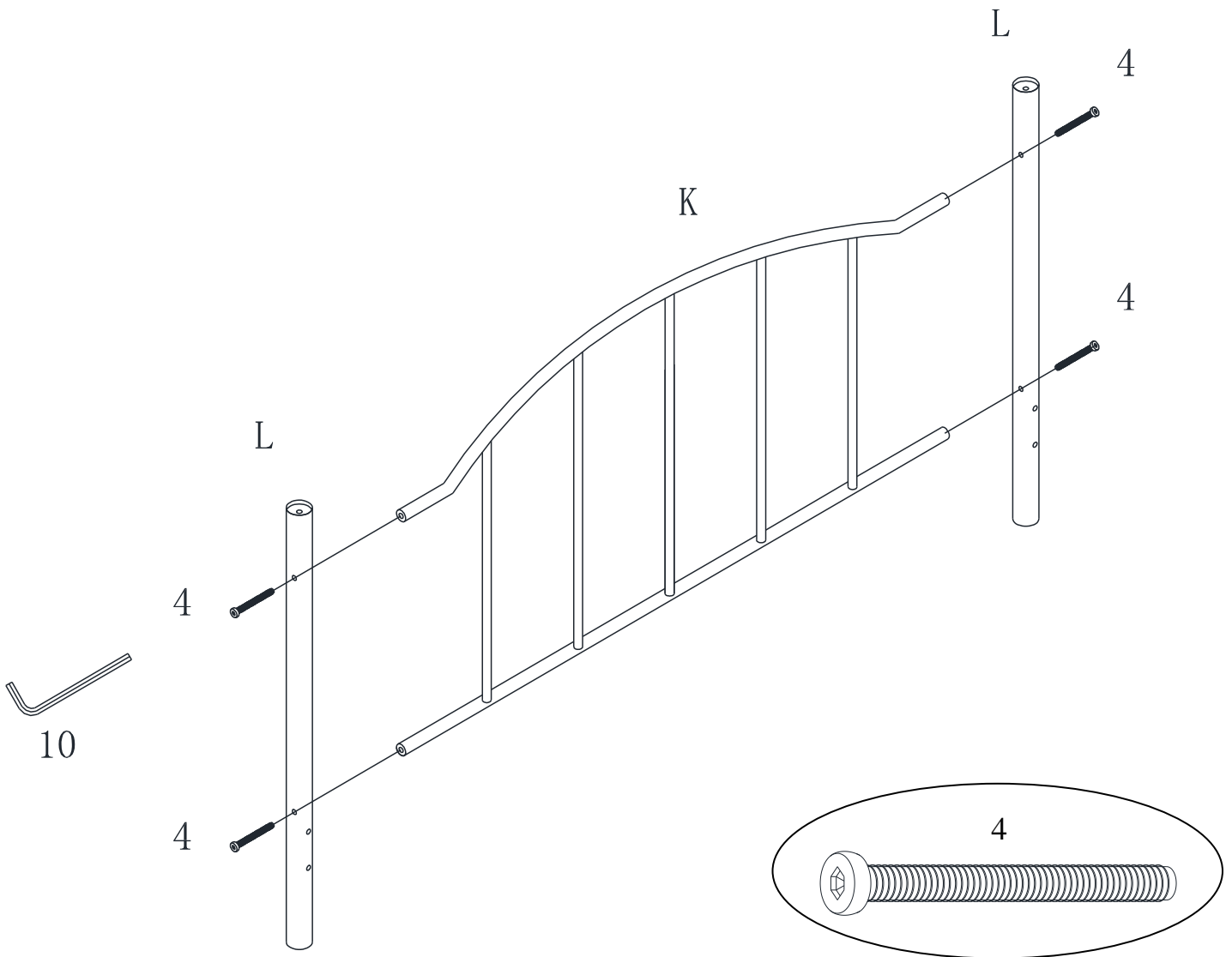


Twin Metal Bed WM5278T-W

STEP 2

Attach the footboard posts (L) to the footboard (K) with the bolts (4). Use Allen Key (10) to tighten the bolts.

NOTE: Do not fully tighten bolts. Leaving the bolts loose will facilitate assembly in the following steps.

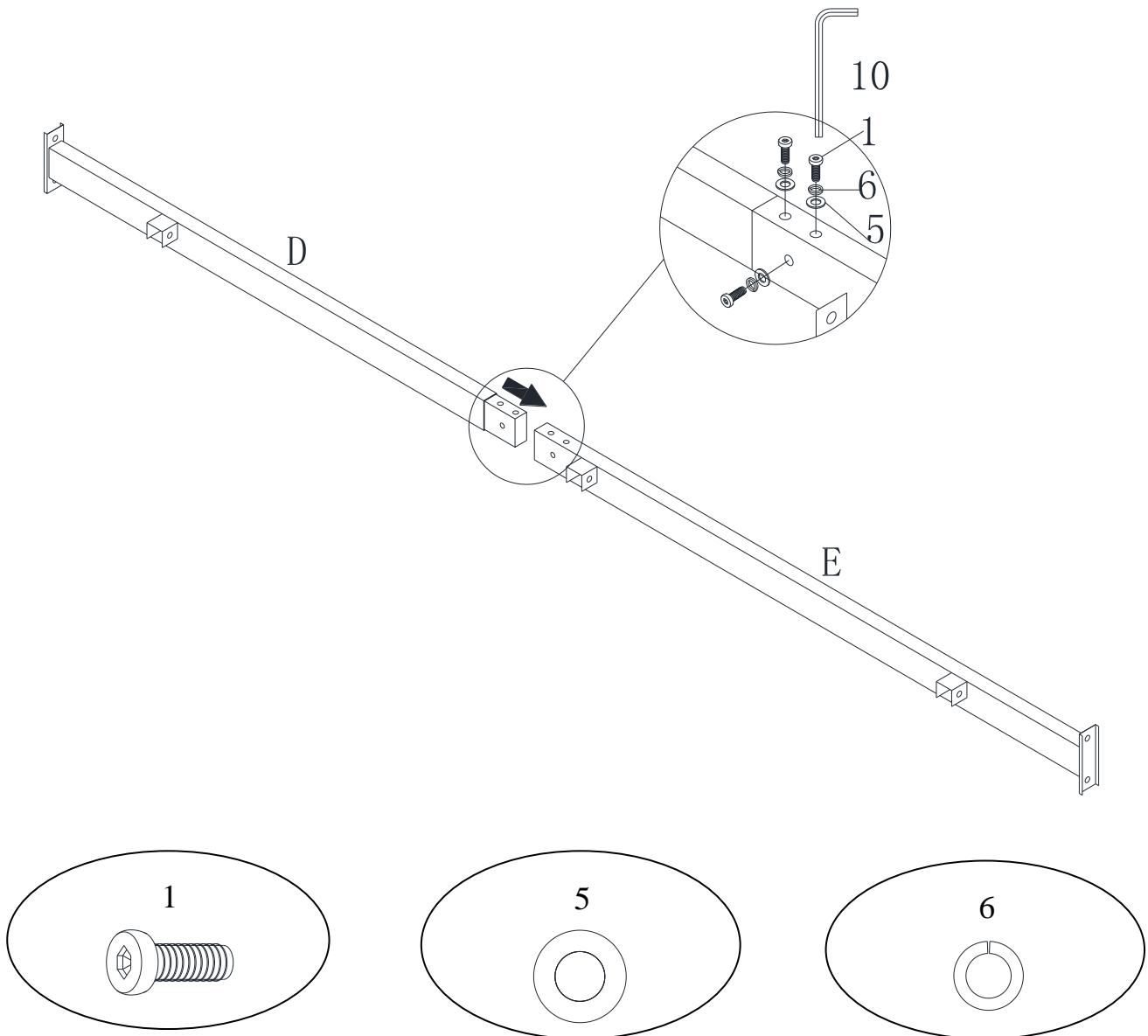


Twin Metal Bed

WM5278T-W

STEP 3

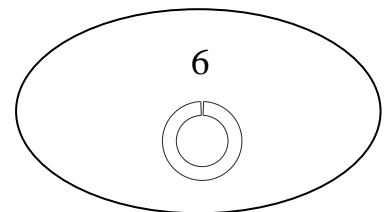
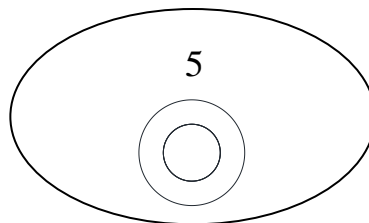
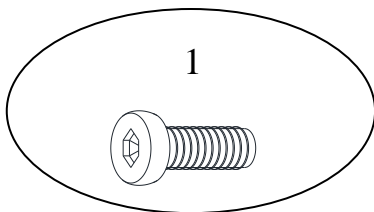
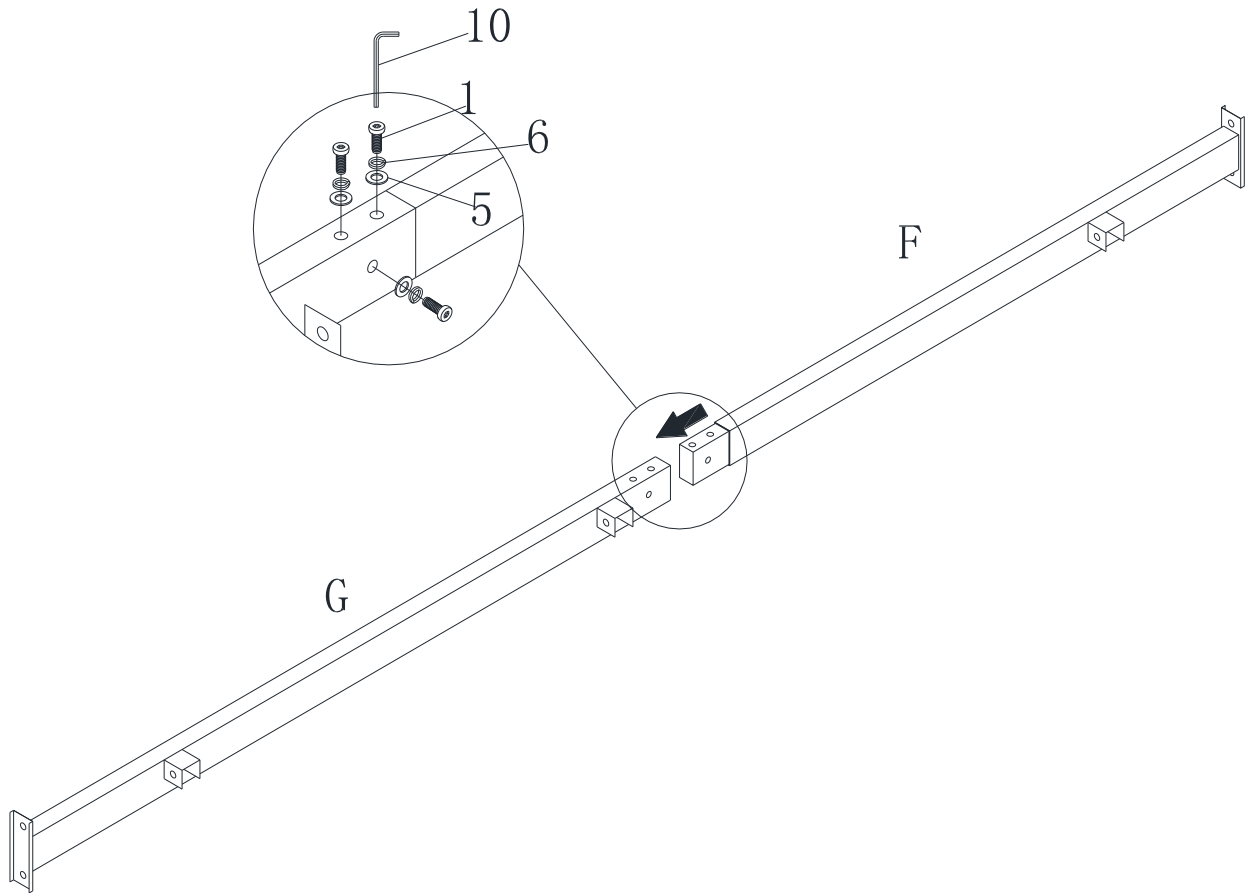
Attach the left side rails (D & E) with the bolts (1), flat washers (5) and spring washers (6). Use Allen Key (10) to tighten the bolts.



Twin Metal Bed WM5278T-W

STEP 4

Attach the right side rails (F & G) with the bolts (1), flat washers (5) and spring washers (6). Use Allen Key (10) to tighten the bolts.



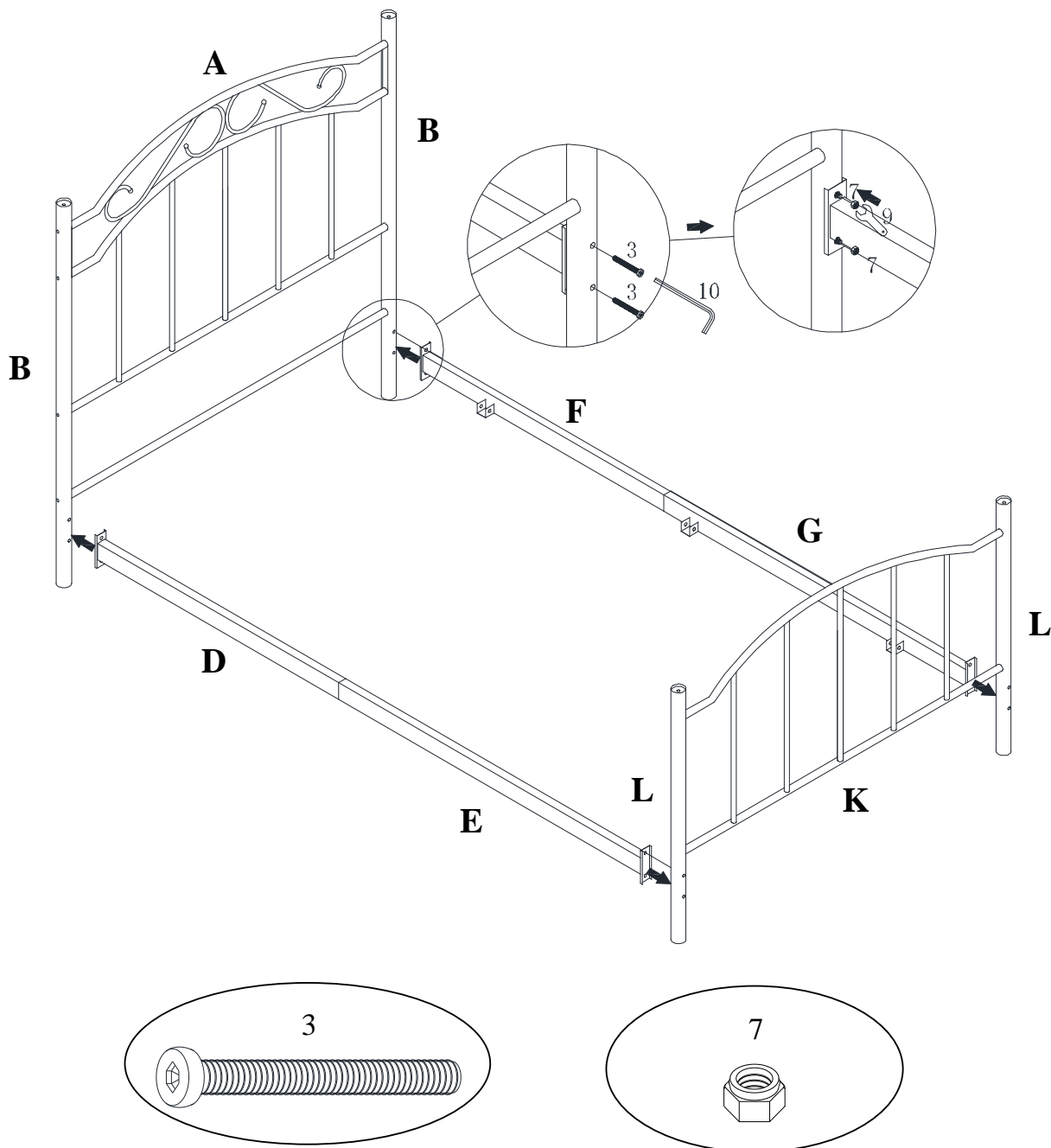
Twin Metal Bed

WM5278T-W

STEP 5

Attach the assembled left and right side rail to the headboard and footboard with bolts (3) and nuts (7). Use Allen Key (10) and Allen wrench (9) to tighten the bolts and nuts.

NOTE: Do not fully tighten bolts. Leaving the bolts loose will facilitate assembly in the following steps.



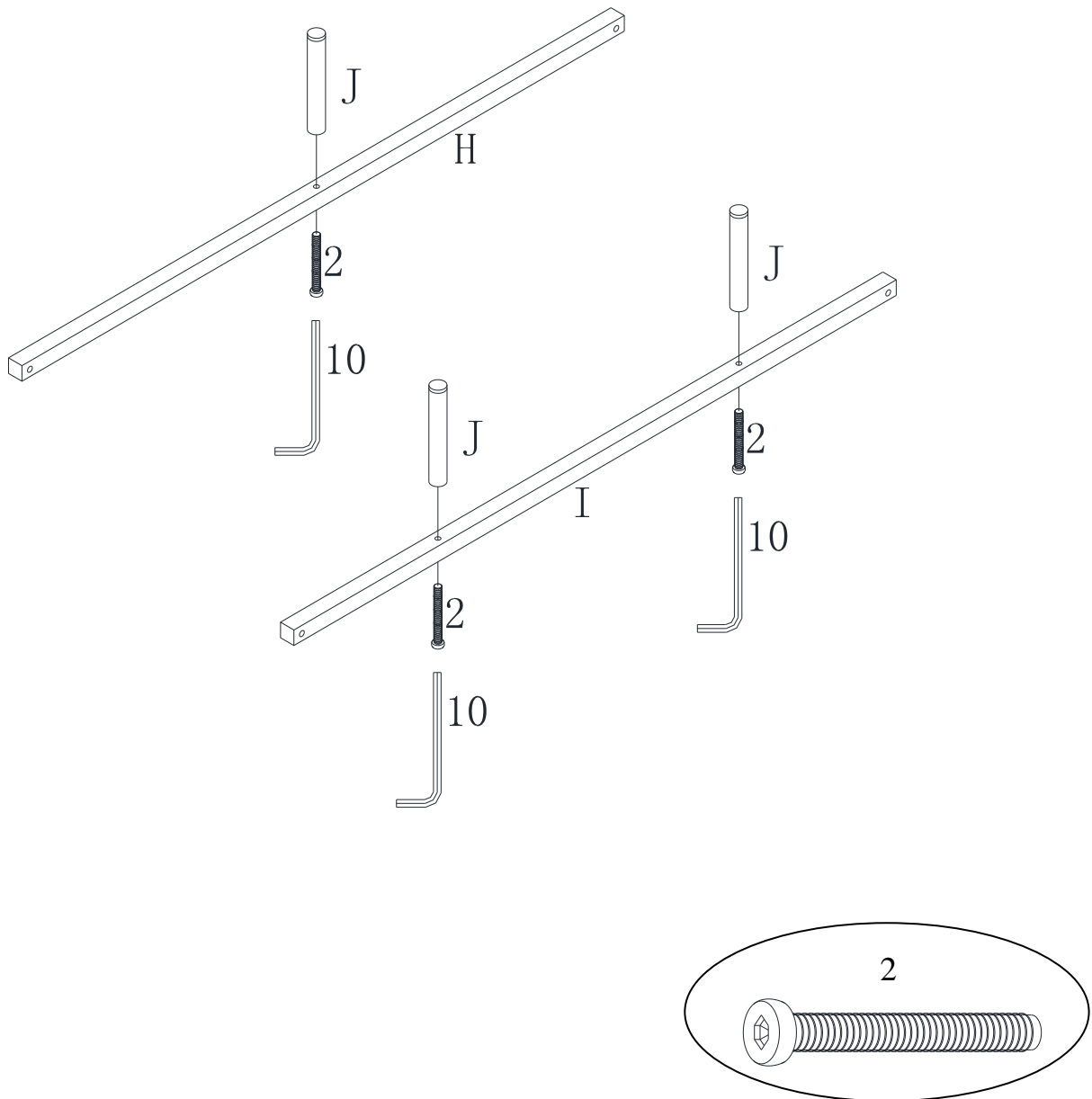
Twin Metal Bed

WM5278T-W

STEP 6

Attach the support legs (J) to the slats (H & I) with bolts (2). Use Allen Key (10) to tighten the bolts.

NOTE: Do not fully tighten bolts. Leaving the bolts loose will facilitate assembly in the following steps.



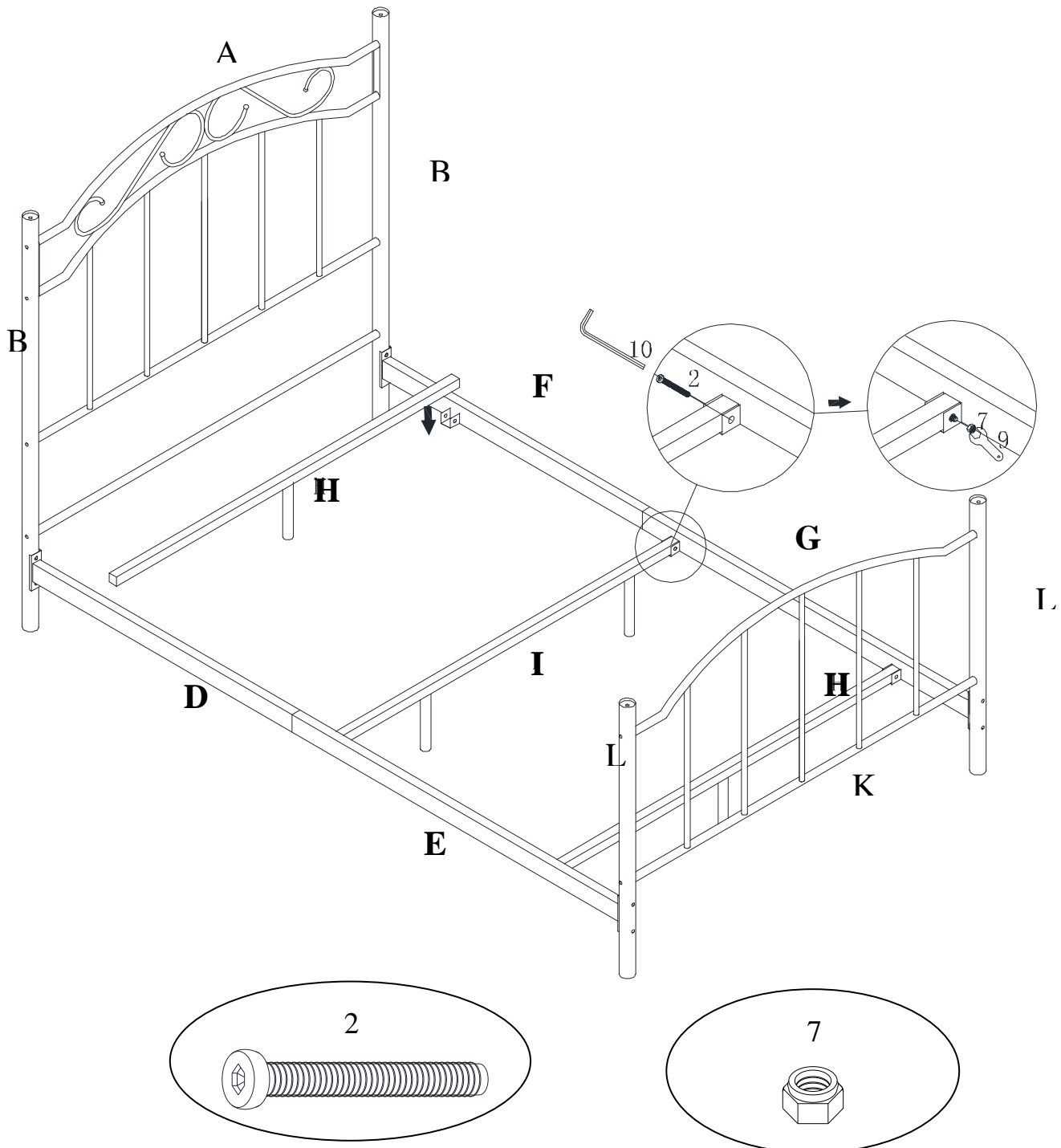
Twin Metal Bed

WM5278T-W

STEP 7

Attach the assembled slats (H & I) to the left and right side rails with bolts (2) and nuts (7). Use Allen Key (10) and Allen wrench (9) to tighten the bolts and nuts.

Note: Tighten all the bolts previously installed.



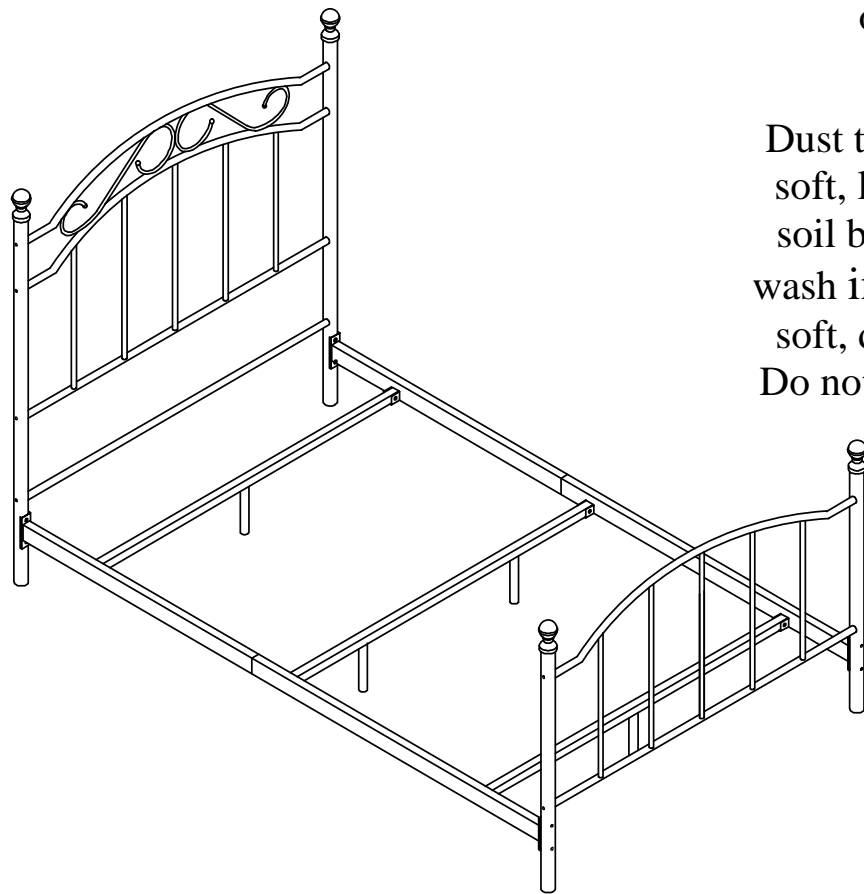
Twin Metal Bed

WM5278T-W



CAUTION: This unit is intended for use only with the products and/or maximum weights indicated. Use with other products and/or products heavier than the maximum weights indicated may result in instability or cause possible injury.

Never allow children to play or jump on the bed.



Dust this item regularly with a soft, lint-free cloth to prevent soil build up. Do not soak or wash in hot water. Wipe with a soft, damp cloth if necessary. Do not use abrasives, cleansers or polish.

Recommended
Maximum Weight =
225 lbs

That's it ! You've finished assembling your twin bed.

DO NOT RETURN PRODUCT TO THE STORE.

If a part is missing or damaged, contact our customer service department. We will replace the part **FREE** of charge.



Tel #: 1-800-295-1980
E-Mail: das@dorel.com
Fax #: 514-353-7819



Customer Service

PLEASE DO NOT RETURN THIS PRODUCT TO THE STORE

PLEASE CONTACT CUSTOMER SERVICE REPRESENTATIVES AT THE FOLLOWING NUMBERS SHOULD THERE BE ANY MISSING OR DEFECTIVE PART(S).

Customer Service Phone Number 1-800-295-1980

Email: das@dorel.com

Customer Service Fax Number 514-353-7819

Request Date:

Name:

Shipping Address:

Street & Number:

City & State:

Zip Code:

Day Time Phone Number:

(including area code)

Date & Place of Purchase:

Part(s) description and quantity: (Please be sure to list model number or SKN number)

Customer Service Representative Mailing Address:

Customer Service Department No. 413, 12345 Albert-Hudon Boulevard, Suite 100, Montreal, QC, Canada, H1G 3L1