

INSTRUCTION MANUAL

bertini®

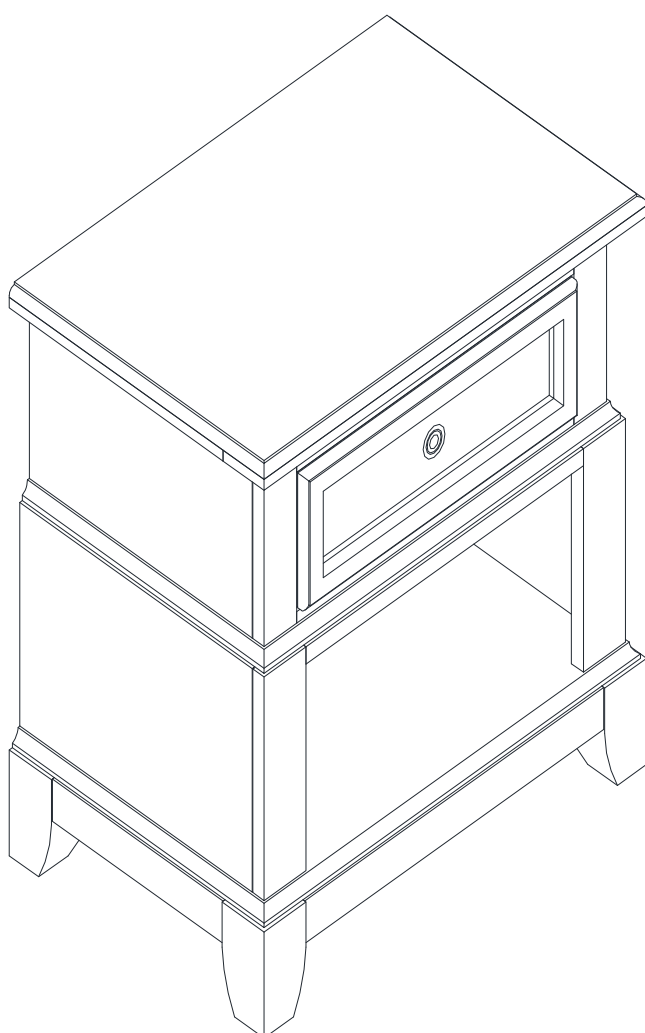
Model No:

BR1510-7 (White Linen)

Lafayette Nightstand

UPC CODE:

0-65857-17370-3



NOTE:

THIS INSTRUCTION BOOKLET
CONTAINS **IMPORTANT** SAFETY
INFORMATION. PLEASE READ AND
KEEP FOR FUTURE REFERENCE.

Lot number:

(TAKEN FROM CARTON)

Date of purchase:

____ / ____ / ____

DO NOT RETURN PRODUCT TO THE STORE.

If a part is missing or damaged, contact our
customer service department. We will replace the
part **FREE** of charge.

Tel #: 1-800-295-1980

E-Mail: das@dorel.com

Fax #: 514-353-7819

www.bertinibaby.com



CUSTOMER SERVICE

If you are missing parts or have any questions about this product, contact our customer service representative first!



CALL 1-800-295-1980

You can also order parts by writing to the address listed below. Please include the product model number, color and a detailed description of the part.

**Customer Service Department No. 413
12345 Albert-Hudon Boulevard, Suite 100
Montreal, Quebec
Canada H1G 3L1
E-MAIL: das@dorel.com**

NOTES:

- * Do not use the nightstand if it is damaged or broken.
- * To avoid unnecessary damage, **DO NOT** drag across surface when moving. Be sure to lift and carry the item to its location.
- * Handling will require two people.
- * Estimated assembly time is 15 minutes.

CARE AND CLEANING

Dust regularly with a soft, lint-free cloth to prevent soil build-up. A damp cloth may be used occasionally to clean surface. Dry immediately. Do not use any abrasives that may damage finish. Excessive exposure to sunlight and extreme changes in temperature and moisture can damage wood furniture.

MAINTENANCE

Check bolts/screws periodically and tighten them if necessary.

LIMITED WARRANTY

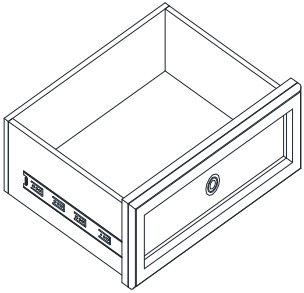
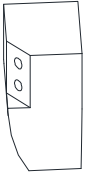
Dorel warrants its product to be free from defects in material and workmanship and agrees to remedy any such defect. This warranty covers 1 year from the date of original purchase. This warranty is valid only upon presentation of proof of purchase. This is solely limited to the repair or replacement of defective furniture components and no assembly labor is included. This warranty does not apply to any product which has been improperly assembled, subjected to misuse or abuse or which has been altered or repaired in any way. This warranty gives you specific legal rights and you may also have other rights which vary from State to State.




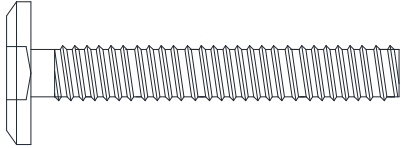
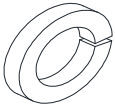
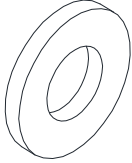
WARNING: Should this product become damaged, and/or components are broken or missing, DO NOT USE.

Lafayette Nightstand BR1510-7

PARTS LIST

NO.	Drawing	Description	Q'ty
A		Drawer	1 PC
B		Foot	4 PCS

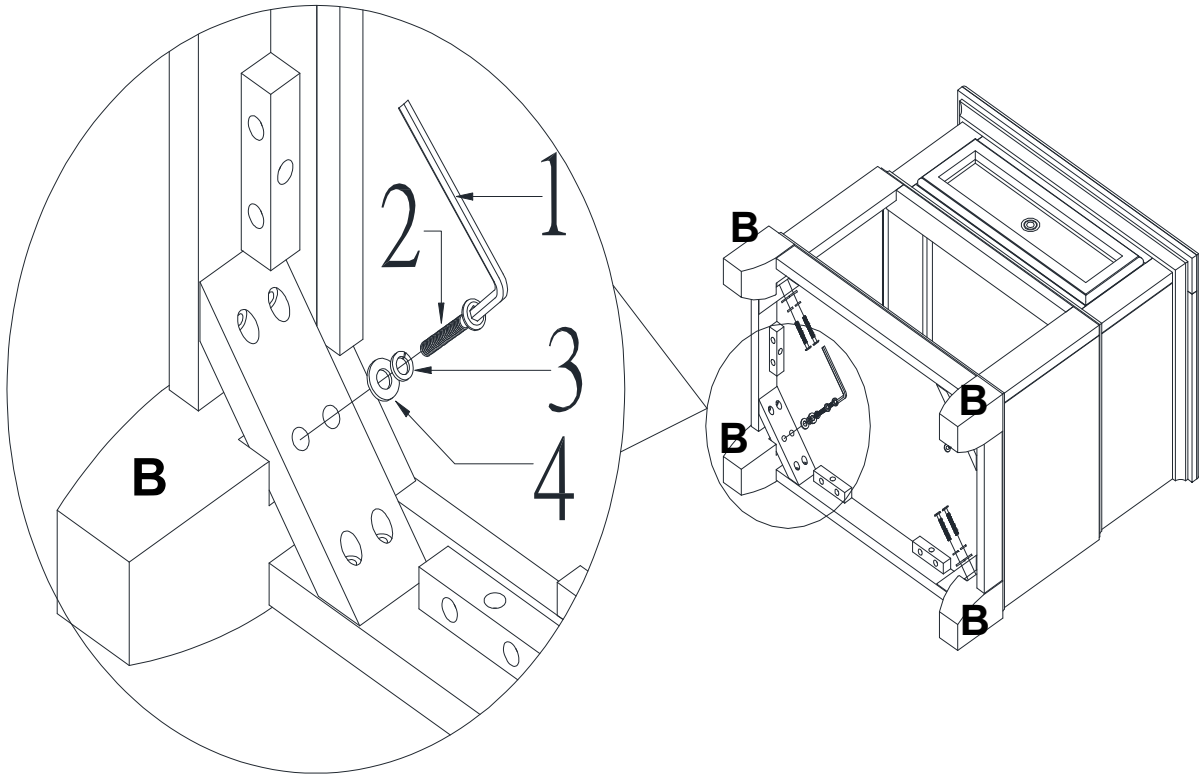
HARDWARE LIST

1		2	
4 X 110 X 29mm		Ø1/4" X 15mm X 50mm	
ALLEN KEY 1 PC		BOLT 8 PCS	
3		4	
Ø1/4" X 11 X 2mm		Ø1/4" X 16 X 2mm	
SPRING WASHER 8 PCS		FLAT WASHER 8 PCS	

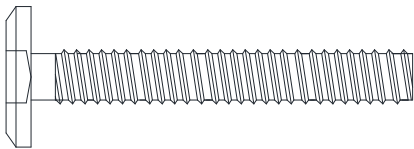
Lafayette Nightstand BR1510-7

STEP 1:

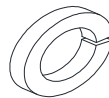
Attach Foot (B) to the nightstand by using Bolt (2), Spring Washer (3), Flat Washer (4). Use Allen key (1) to tighten the bolts.



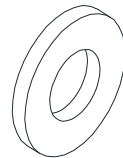
2



3



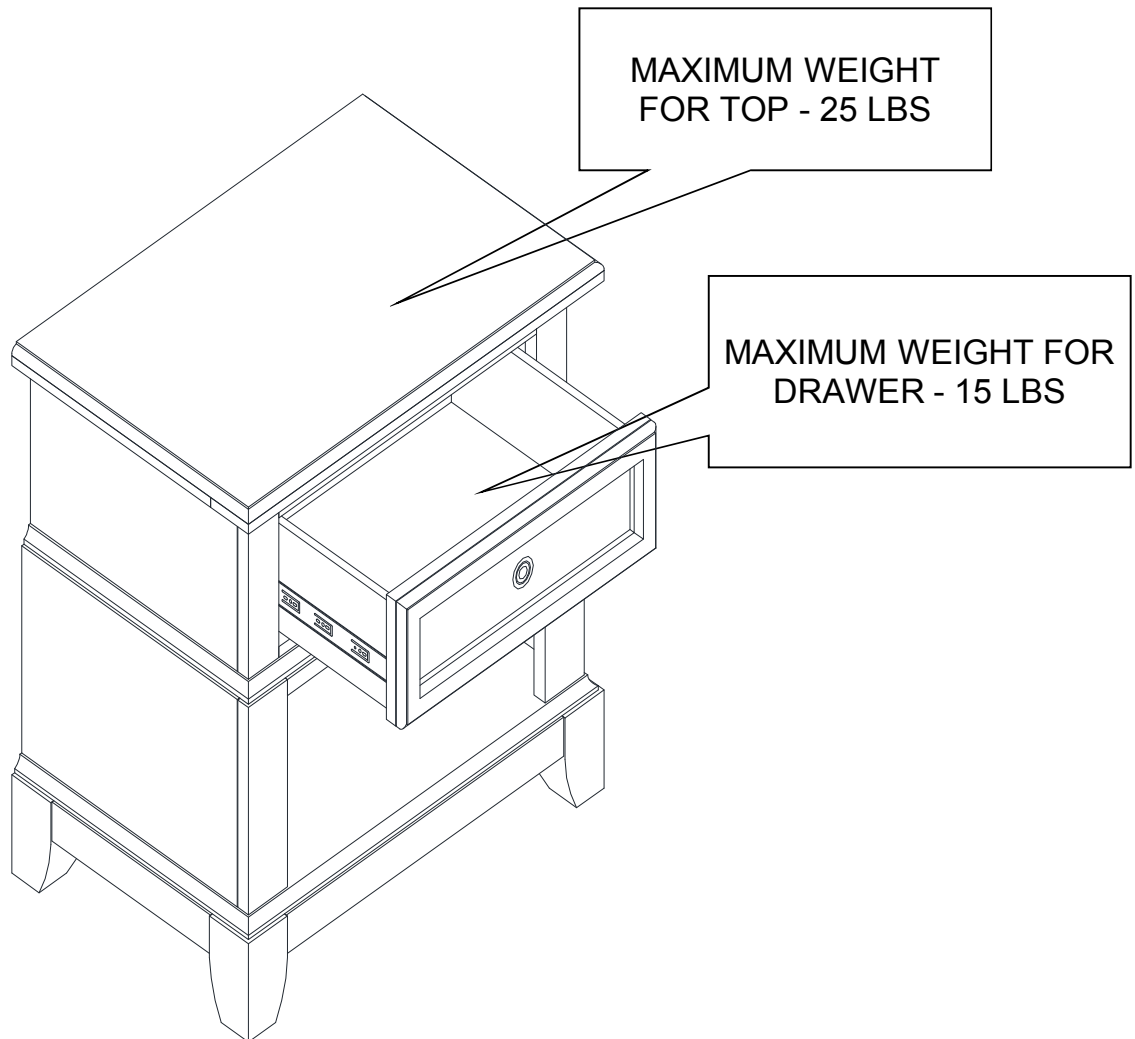
4



Lafayette Nightstand BR1510-7



CAUTION: This unit is intended for use only with the products and/or maximum weights indicated. Use with other products and/or products heavier than the maximum weights indicated may result in instability or cause possible injury.



That's it ! You've finished assembling your nightstand!

DO NOT RETURN PRODUCT TO THE STORE.

If a part is missing or damaged, contact our customer service department. We will replace the part **FREE** of charge.



Tel #: 1-800-295-1980
E-Mail: das@dorel.com
Fax #: 514-353-7819

Customer Service

PLEASE DO NOT RETURN THIS PRODUCT TO THE STORE

PLEASE CONTACT CUSTOMER SERVICE REPRESENTATIVES AT THE FOLLOWING NUMBERS SHOULD YOU HAVE ANY QUESTIONS.

Customer Service Phone Number 1-800-295-1980 Email: das@dorel.com
Customer Service Fax Number 514-353-7819

Request Date:

Name:

Shipping Address:
Street & Number:
City & State:
Zip Code:

Day Time Phone Number:
(including area code)

Date & Place of Purchase:

Part(s) description and quantity (Please be sure to list model number or SKN number):

Customer Service Representative Mailing Address:

Customer Service Department No. 413, 12345 Albert-Hudon Boulevard, Suite 100, Montreal, QC, Canada, H1G 3L1